



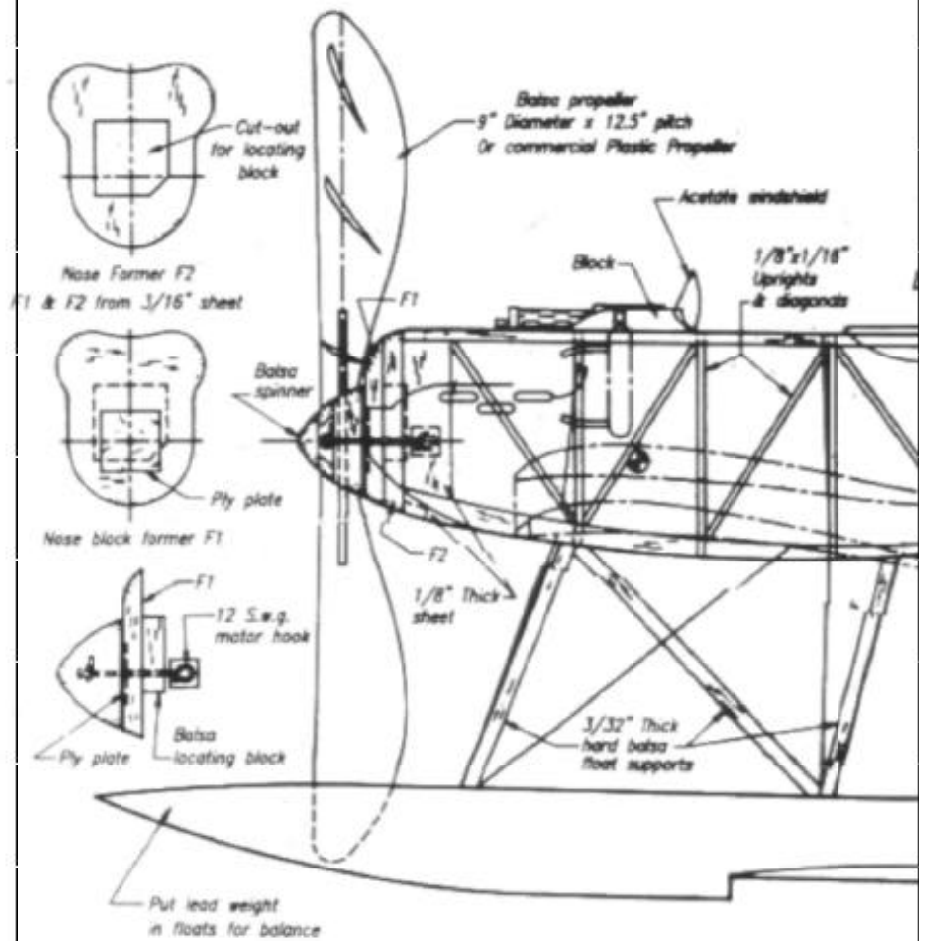
# ZEPPELIN CS-1

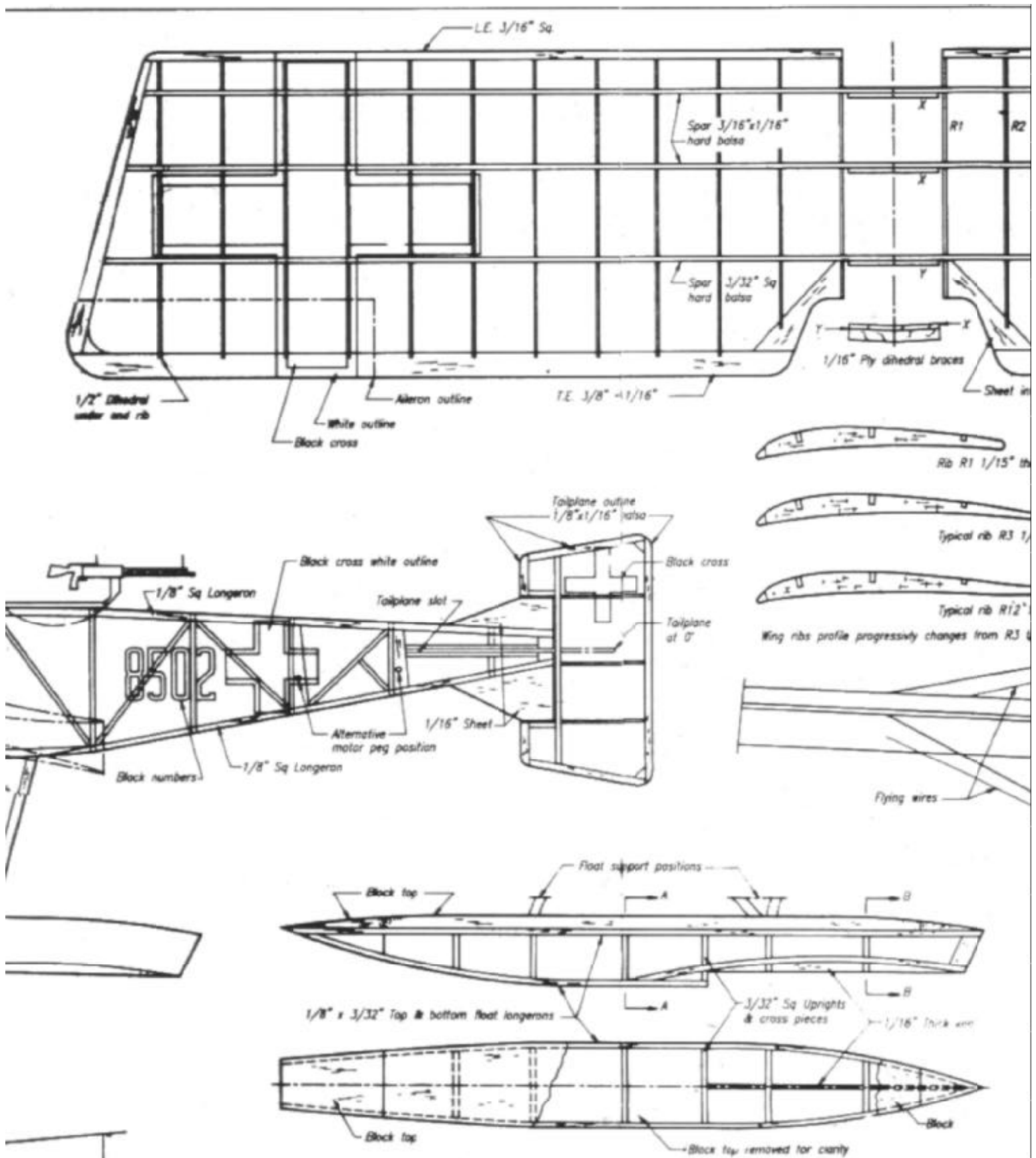


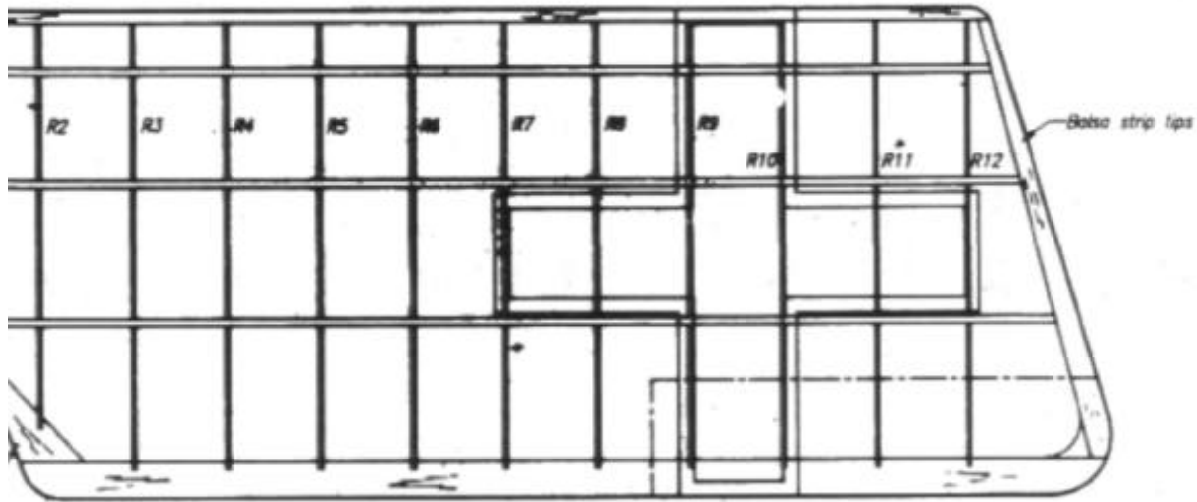
Designed By - **LAMON KOSTNY** Drawn by **John Stinson**

**NEXUS SPECIAL INTEREST'S PLANS SERVICE**  
NEXUS 1000, WINDMILL WAY, FLEMINGHAM, VA 22031 TEL: 703-839-0842 FAX: 703-839-0843


AN ATTRACTIVE UNUSUAL WW1 SCALE MODEL WHICH WILL TAKE OFF FROM WATER IN A MOST REALISTIC MANNER.







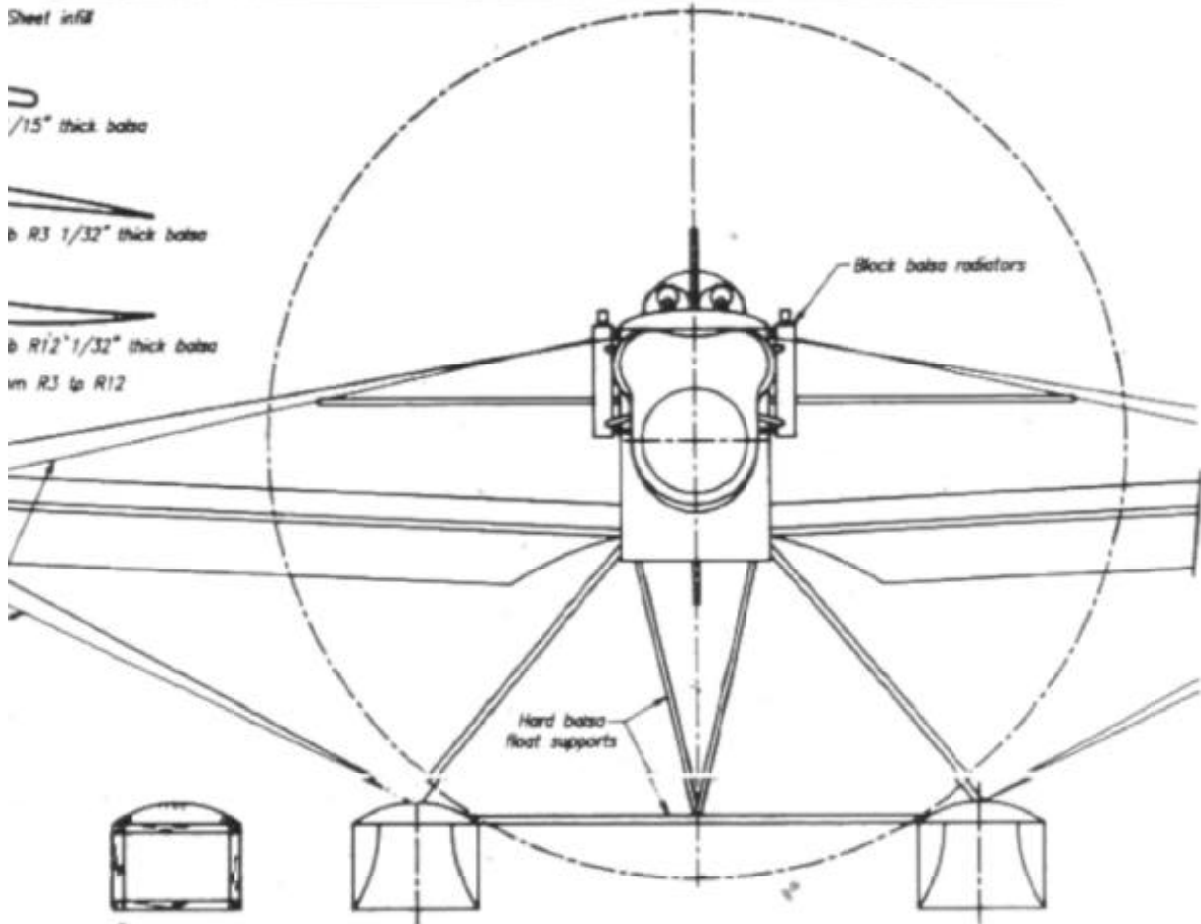


Sheet infill

 /15° thick balsa

 b R3 1/32" thick balsa

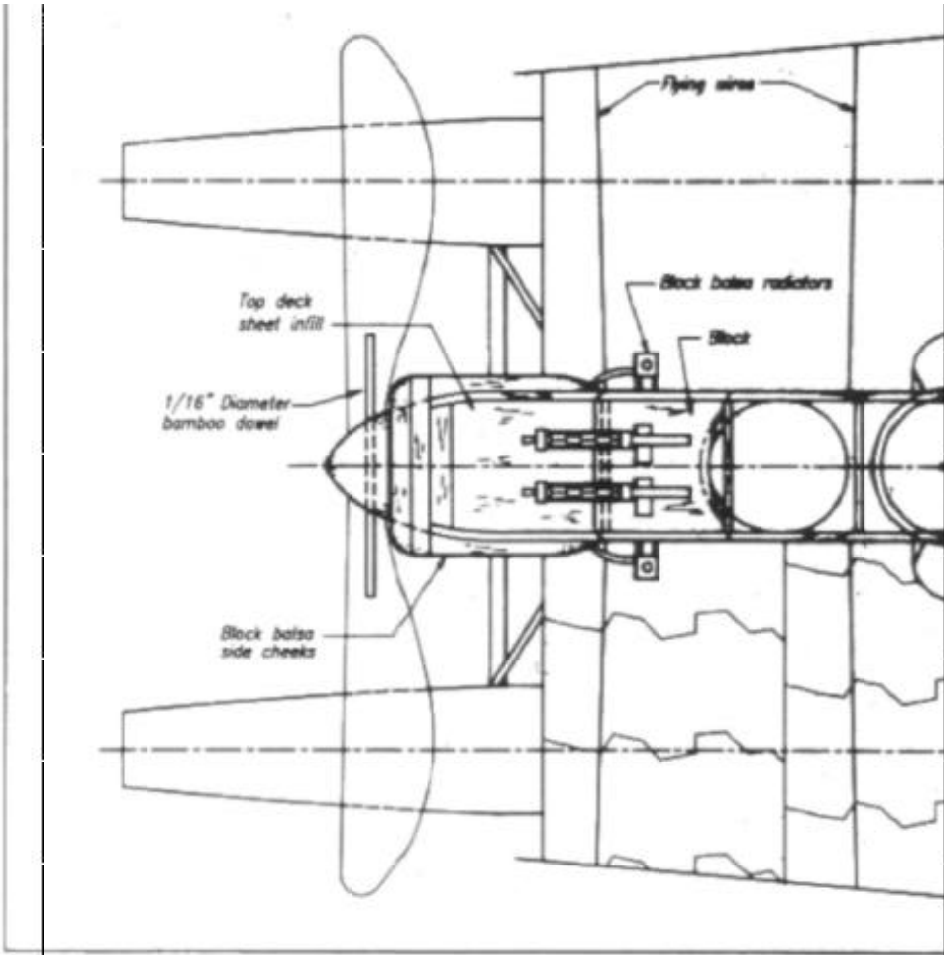
 b R12 1/32" thick balsa  
in R3 to R12

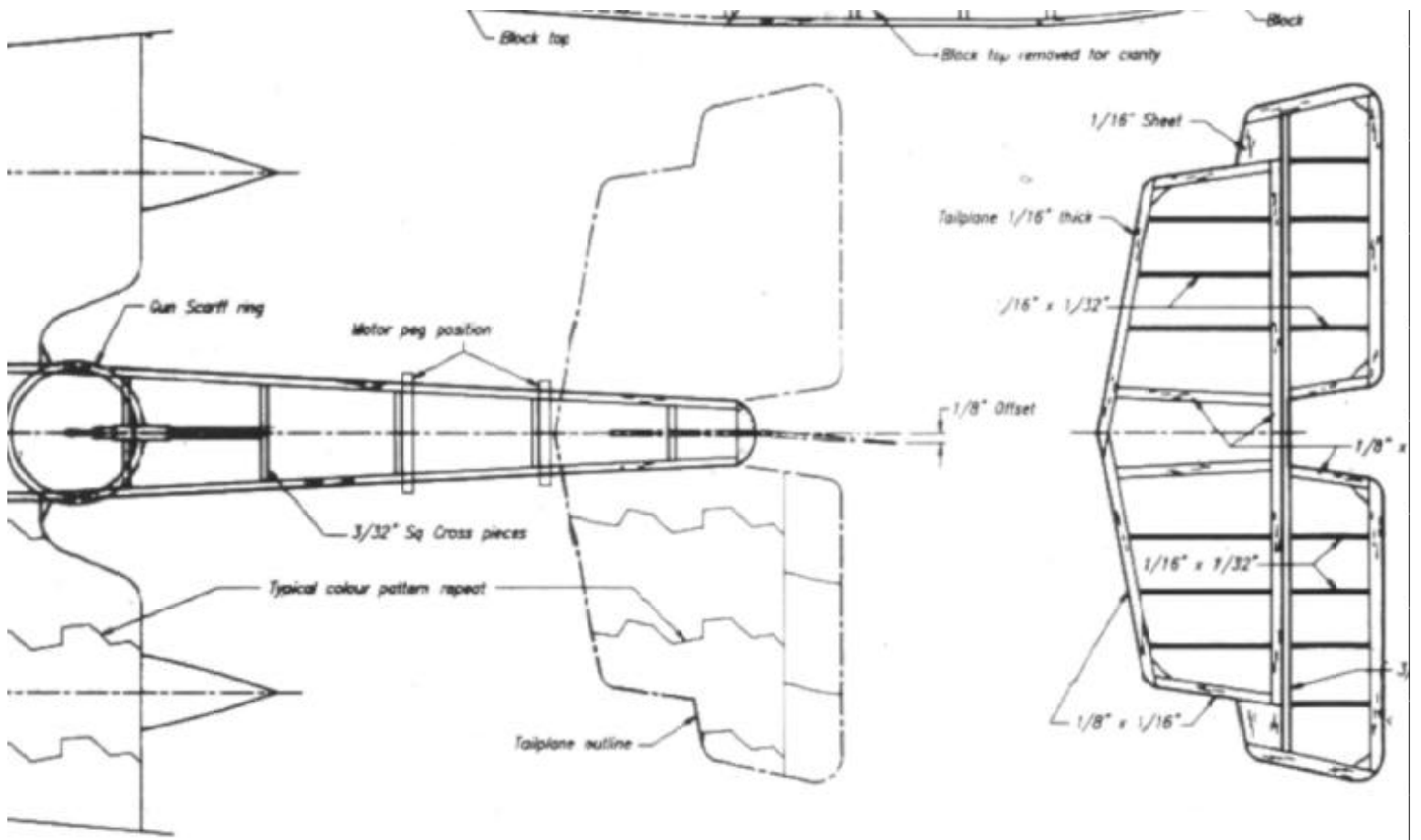


Section A-A



Section B-B





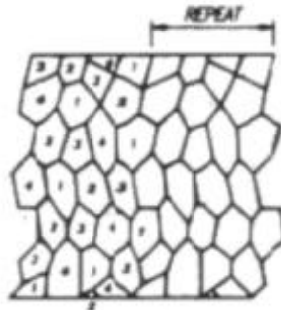
Unless stated otherwise all woods are balsa



$1/8" \times 1/16"$



$3/32" \times 1/16"$



- 1 - BLUE
- 2 - TURQUOISE
- 3 - BEIGE
- 4 - GREEN

TYPICAL 4 COLOUR PRINTED FABRIC COLOUR SCHEME  
COLOUR SCHEME PATTERN APPLIED TO:-  
TOP OF WINGS, FUSELAGE, TAILPLANE & FLOATS

FLYING WEIGHT INCLUDING RUBBER 45 GRAMMS  
RUBBER MOTOR - FAI TAN  $1/8" \times 1/24"$   
TWO LOOPS APPROX. 24" LONG.  
MAXIMUM No. OF TURNS 1600