

3/32 SH.

RIBS 1/16 LT.

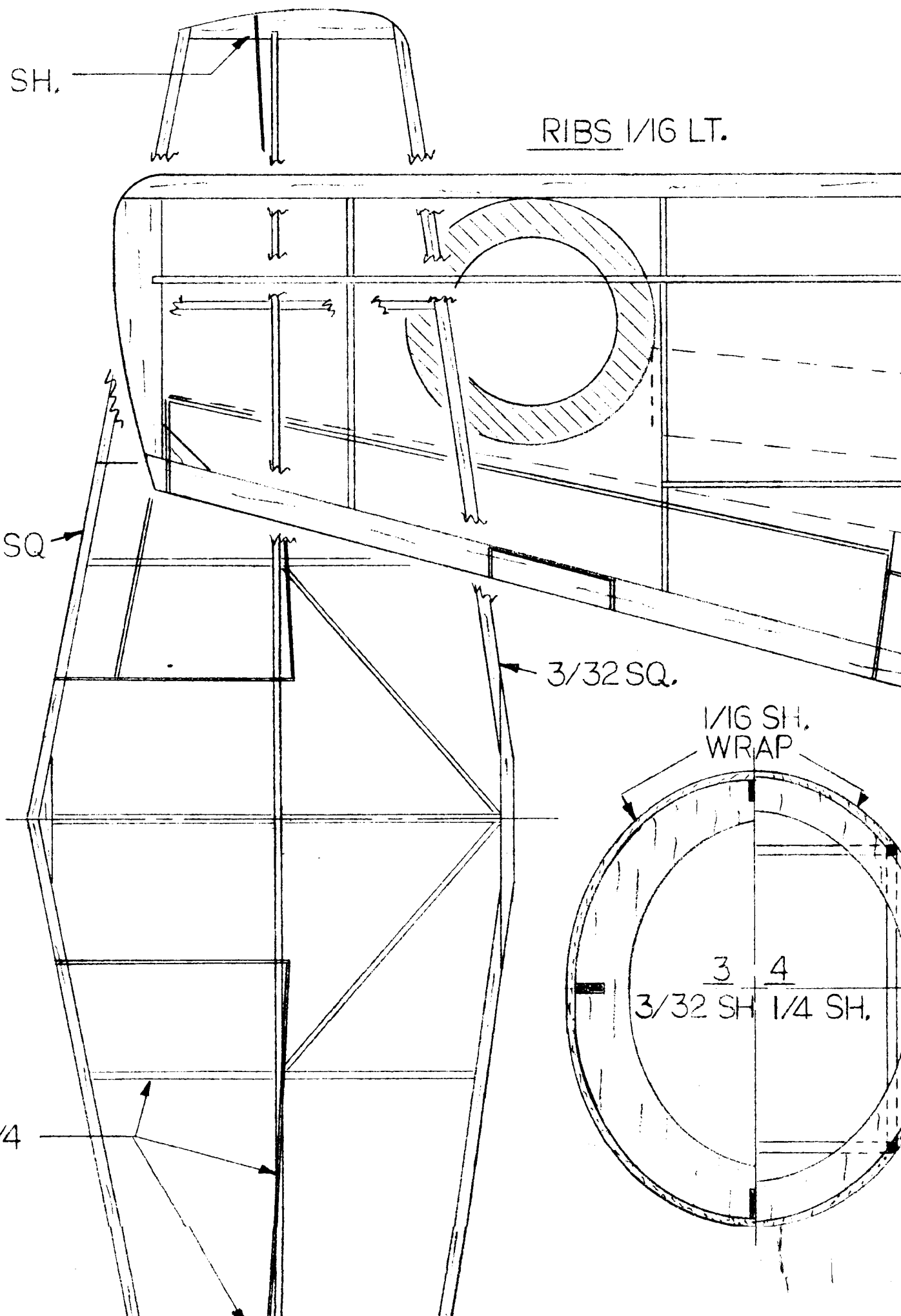
3/32 SQ.

3/32 SQ.

1/16 SH.
WRAP

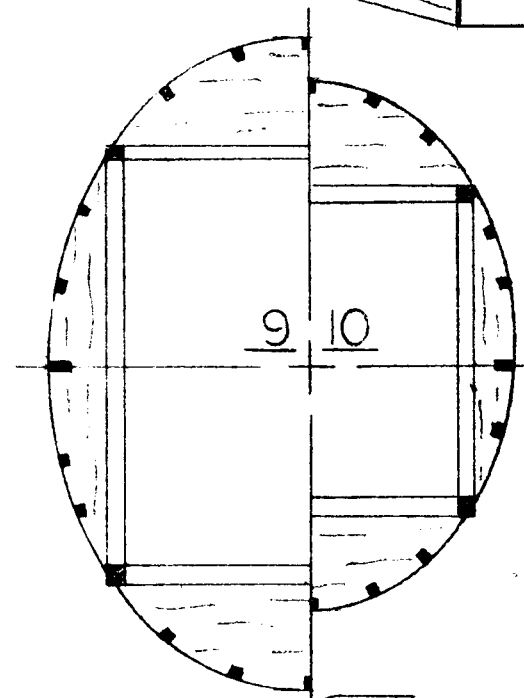
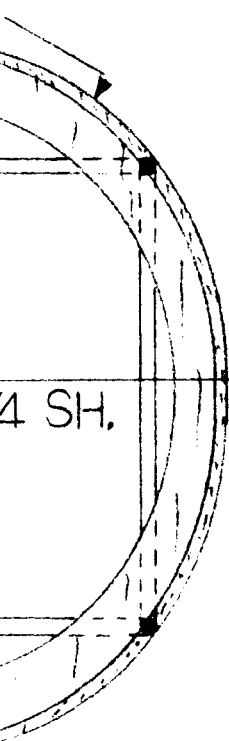
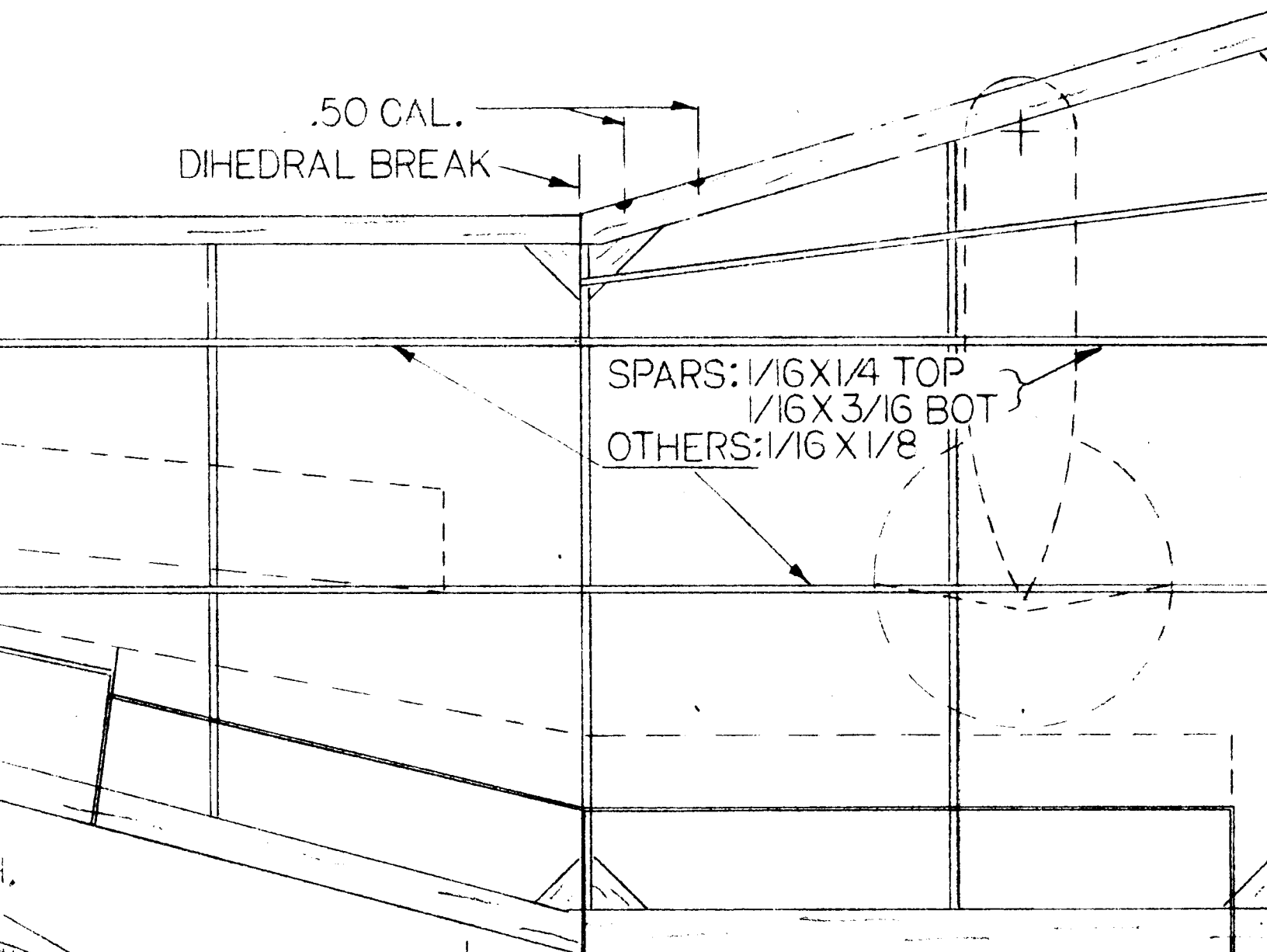
$\frac{3}{32}$ SH. $\frac{4}{16}$ SH.

1/16 X 1/4
TYP.

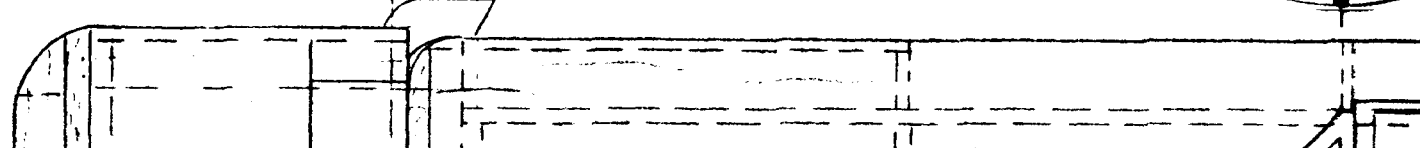
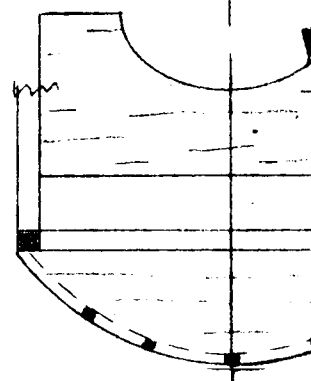
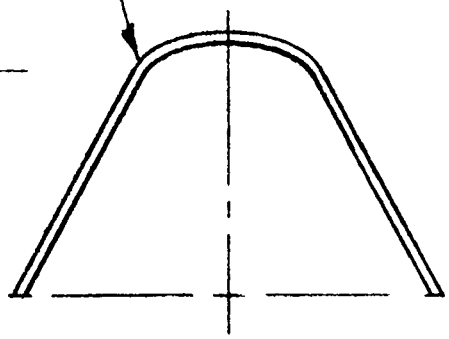


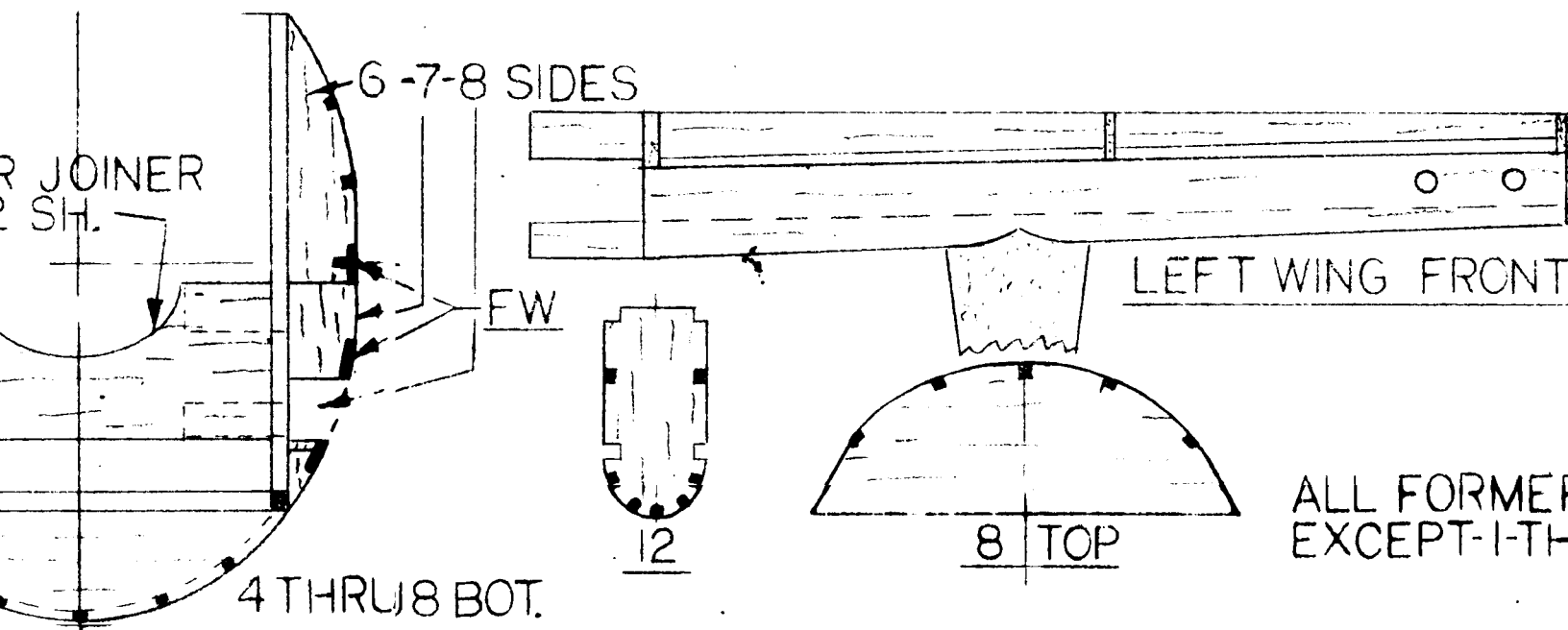
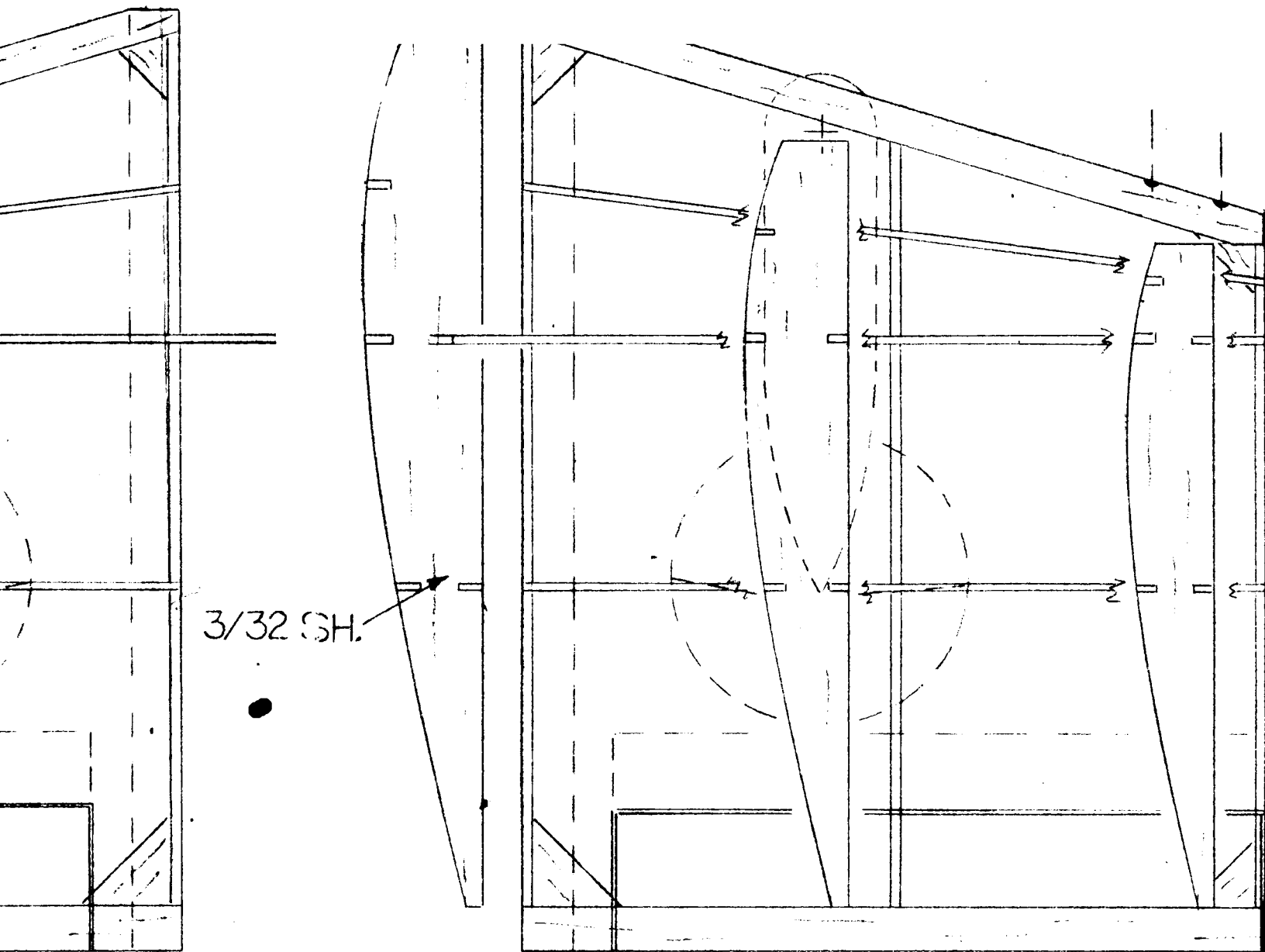
.50 CAL.
DIHEDRAL BREAK

SPARS: 1/16 X 1/4 TOP
1/16 X 3/16 BOT
OTHERS: 1/16 X 1/8



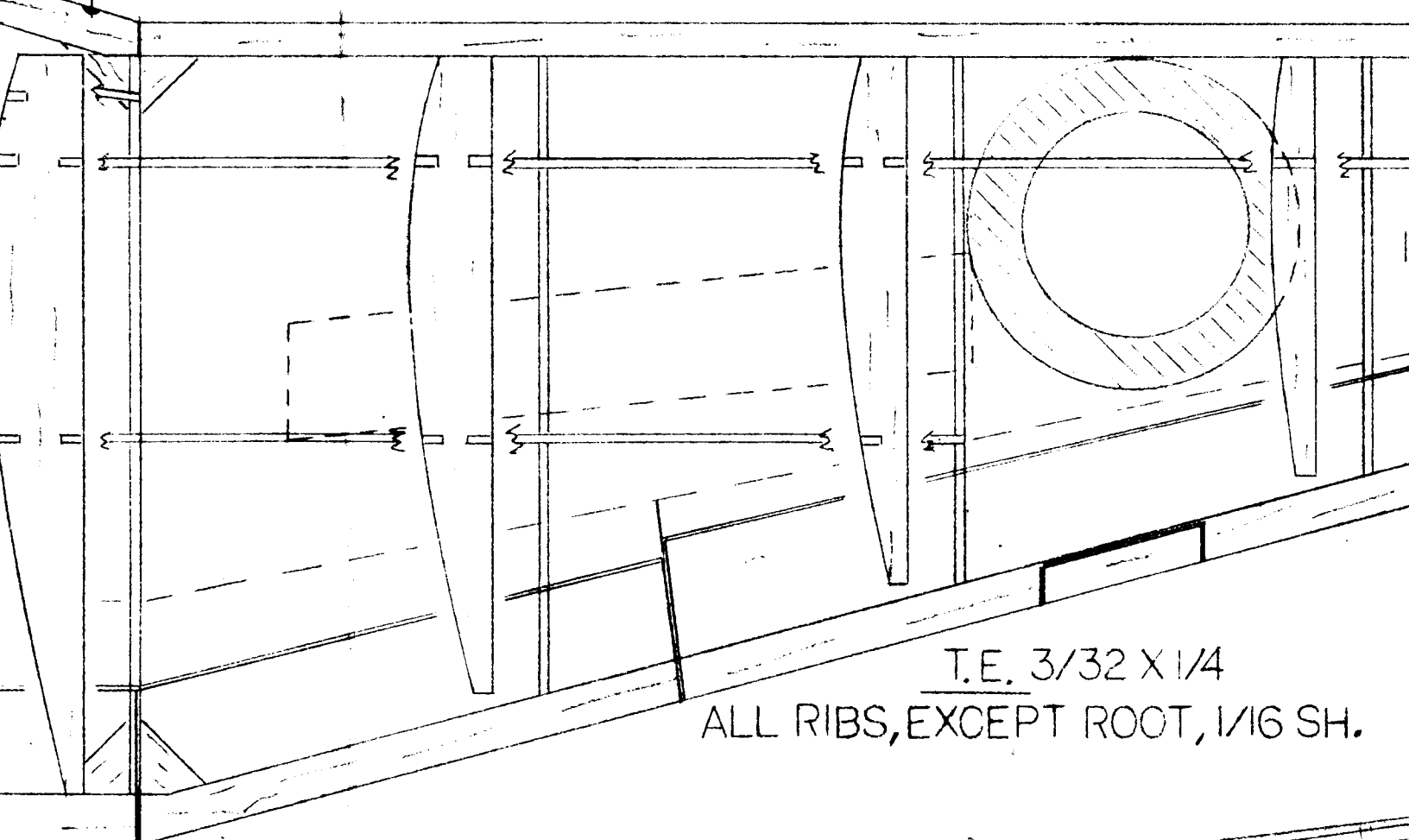
CANOPY FRAMES 3 REQ
1/32 X 3/32 BASS 2 EA.
FORMED AS SHOWN SPAR JOINE
3/32 SH.



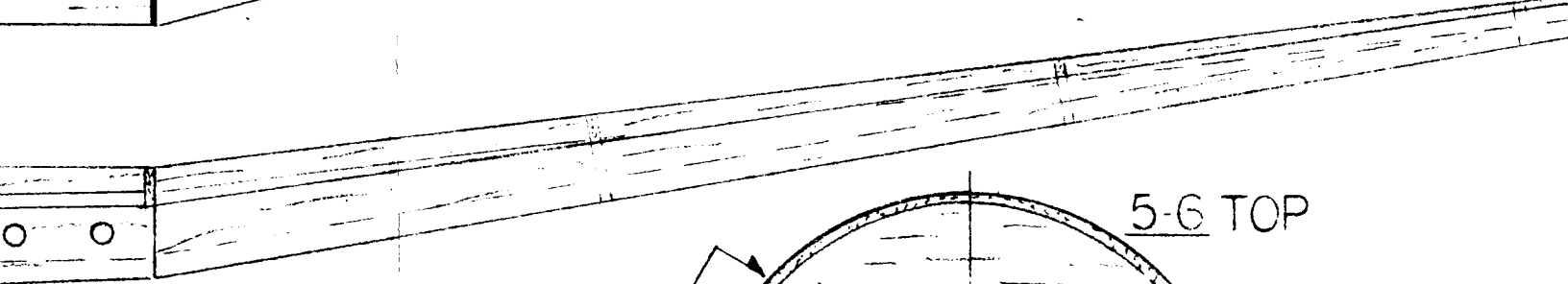


PITOT

L.E. $1/4 \times 1/2$ TAPER TO $1/8$ AT TIP



T.E. $3/32 \times 1/4$
 ALL RIBS, EXCEPT ROOT, $1/16$ SH.



FRONT VIEW

$1/16$ SH. WRAP

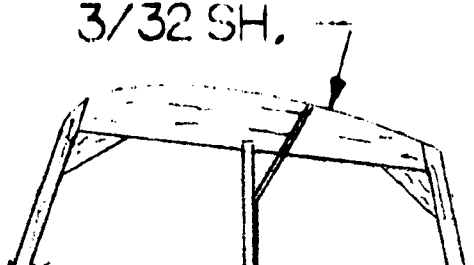
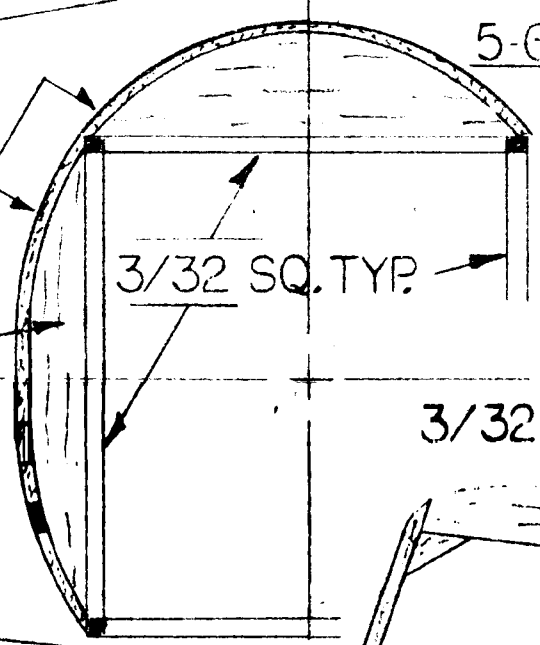
5-6 TOP

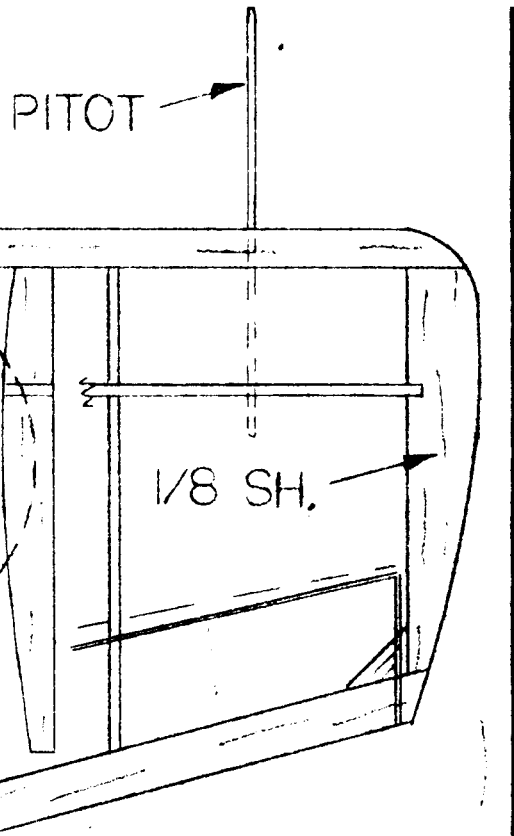
$3/32$ SQ. TYP.

5 SIDE

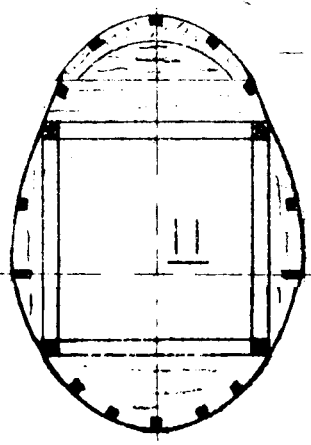
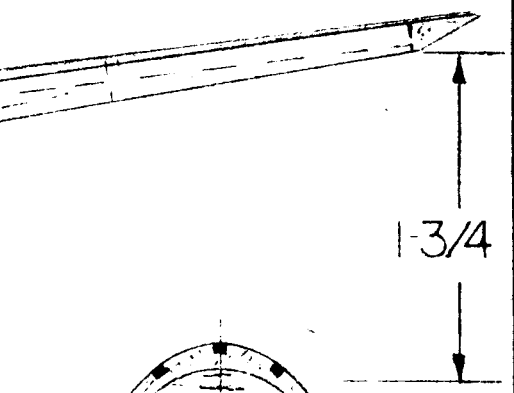
FORMERS $1/16$ SH. PT-1-THRU-4

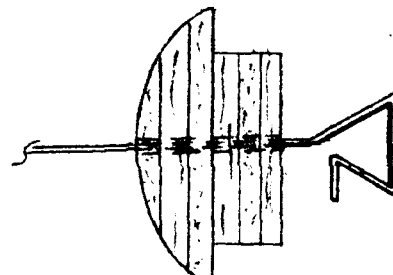
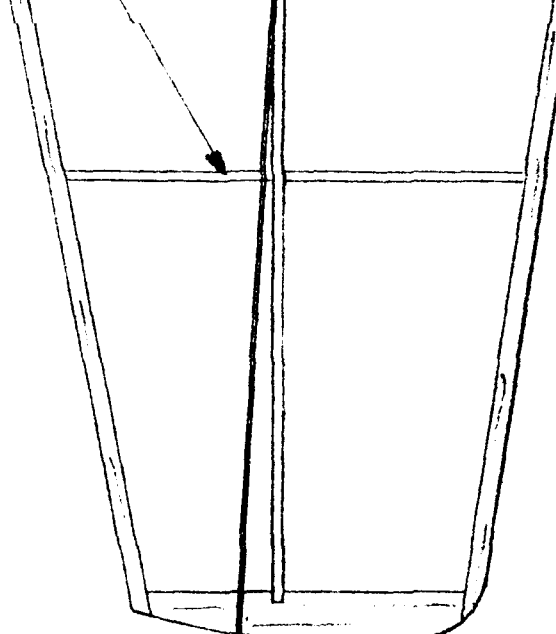
$3/32$ SH.





S SH.

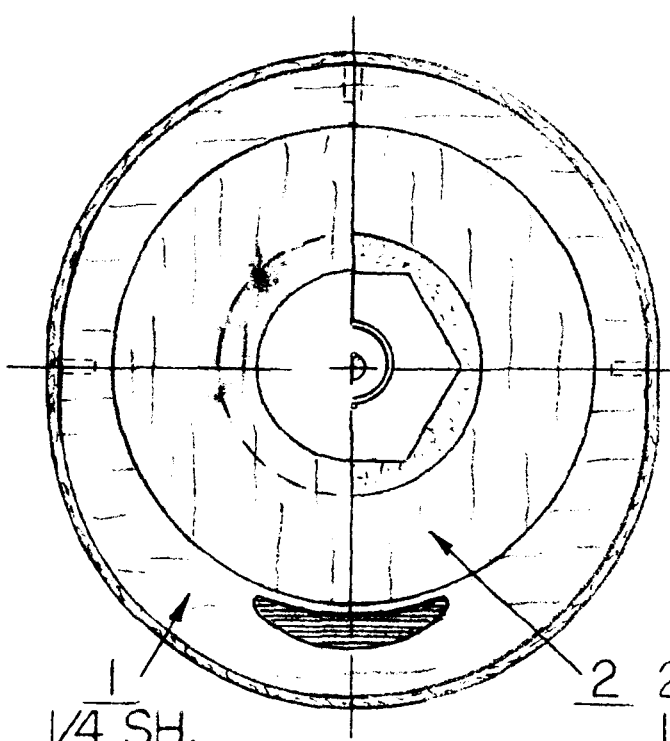




NOSEBLOCK
1/8 SH. RINGS

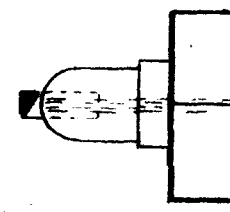


WINDSHIELD
FRAME 1/32 PLY



1
1/4 SH.

2 2 REQ
1/8 SH.

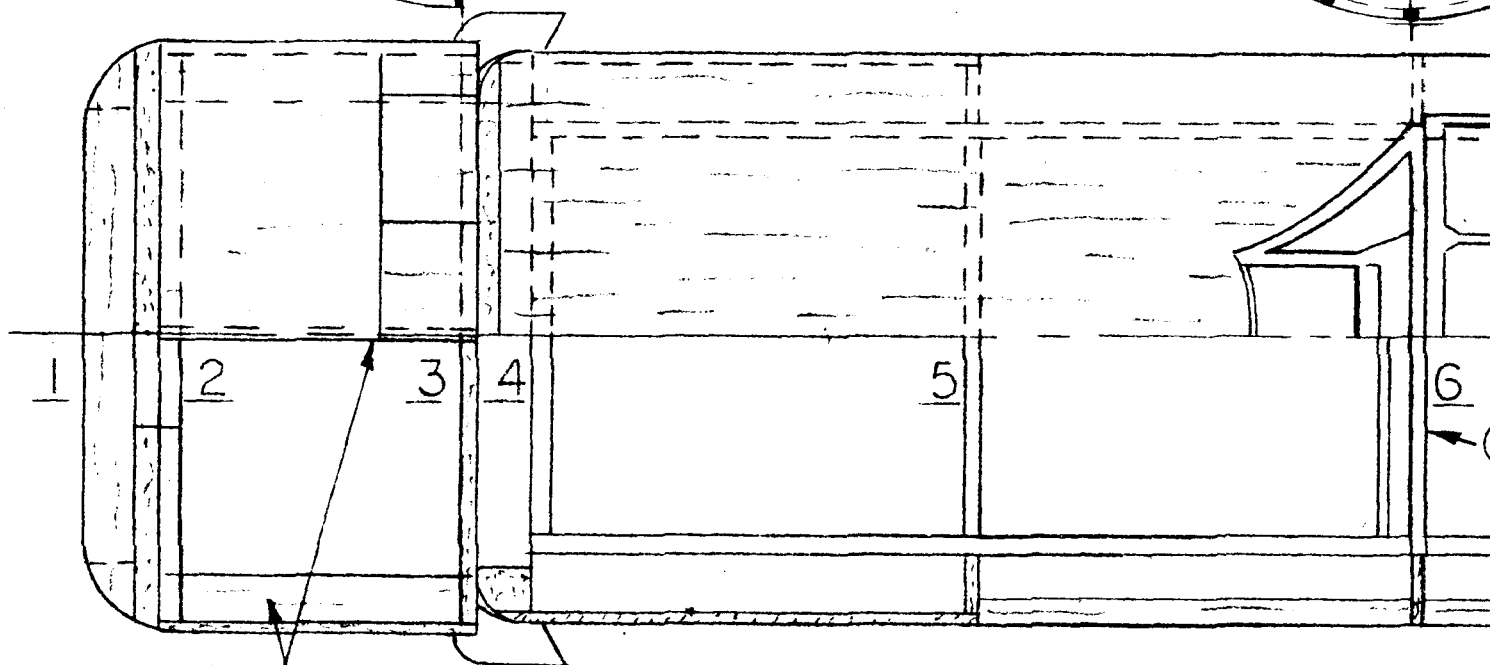


PROP : 9" - 3 BLADES
12" - 2 BLADES

MOTOR : 3 LOOPS OF 3/16

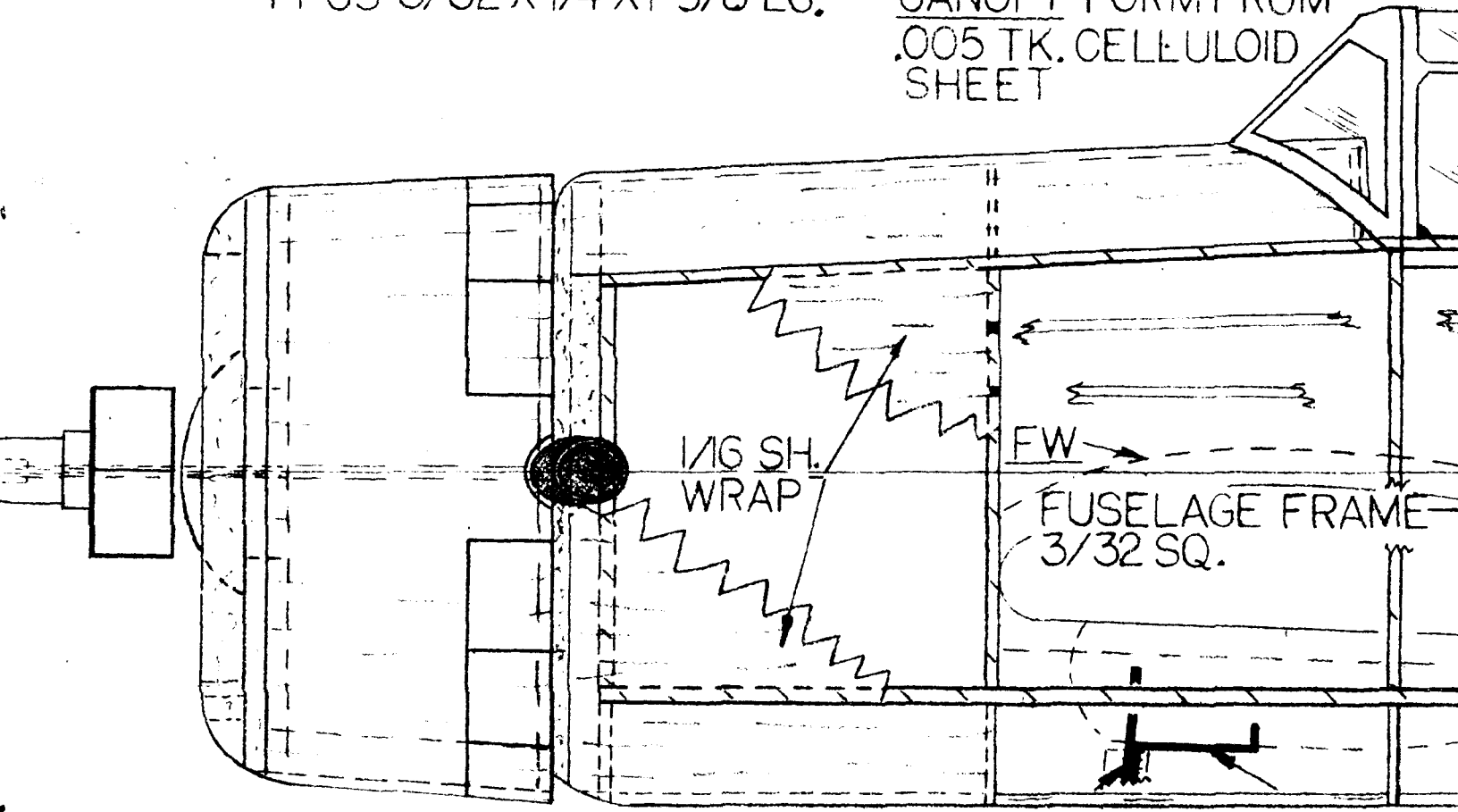
COLOR : SAND & SPINACH - TOP
LT. BLUE - BOT

REFERENCE : WINGS 10/85
AIRPOWER 9/85



4 PCS 3/32 X 1/4 X 1-5/8 LG.

CANOPY FORM FROM
.005 TK. CELLULOID
SHEET



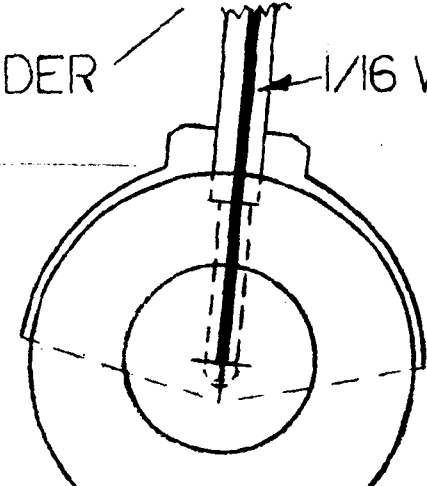
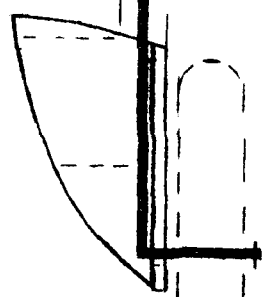
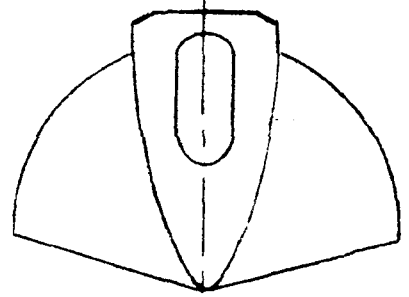
1/16 SH.
WRAP

FW

FUSELAGE FRAME
3/32 SQ.

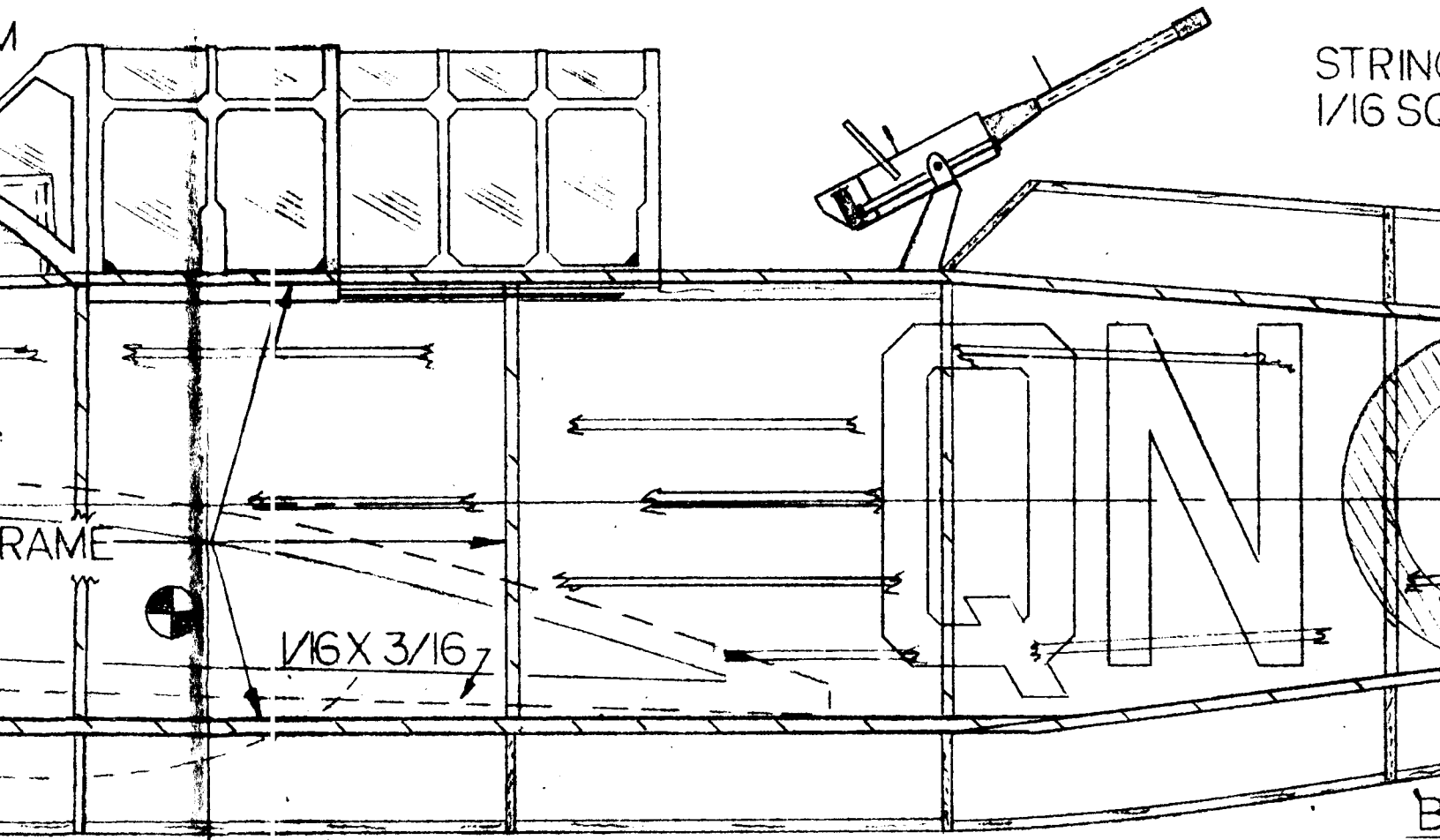
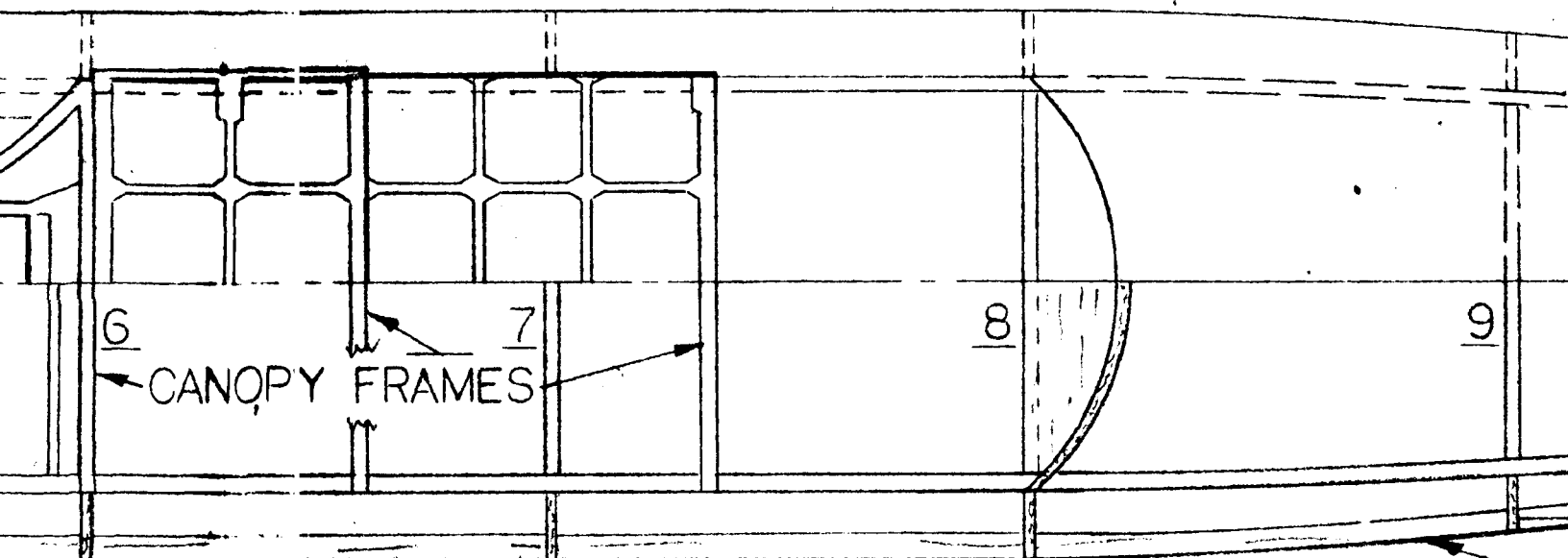
SOLDER

1/16 WIRE 1/3



PLUG IN
DETAIL

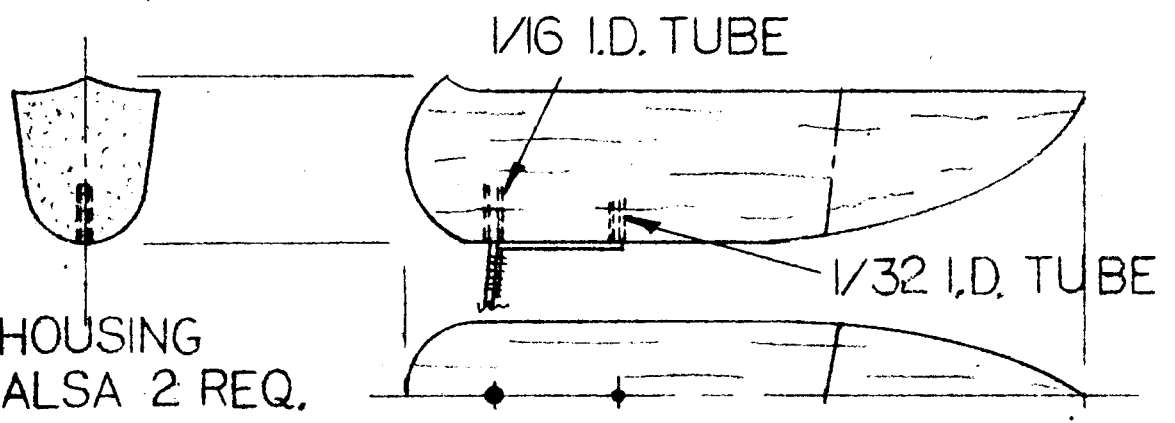
WIRE, 3 DOT.

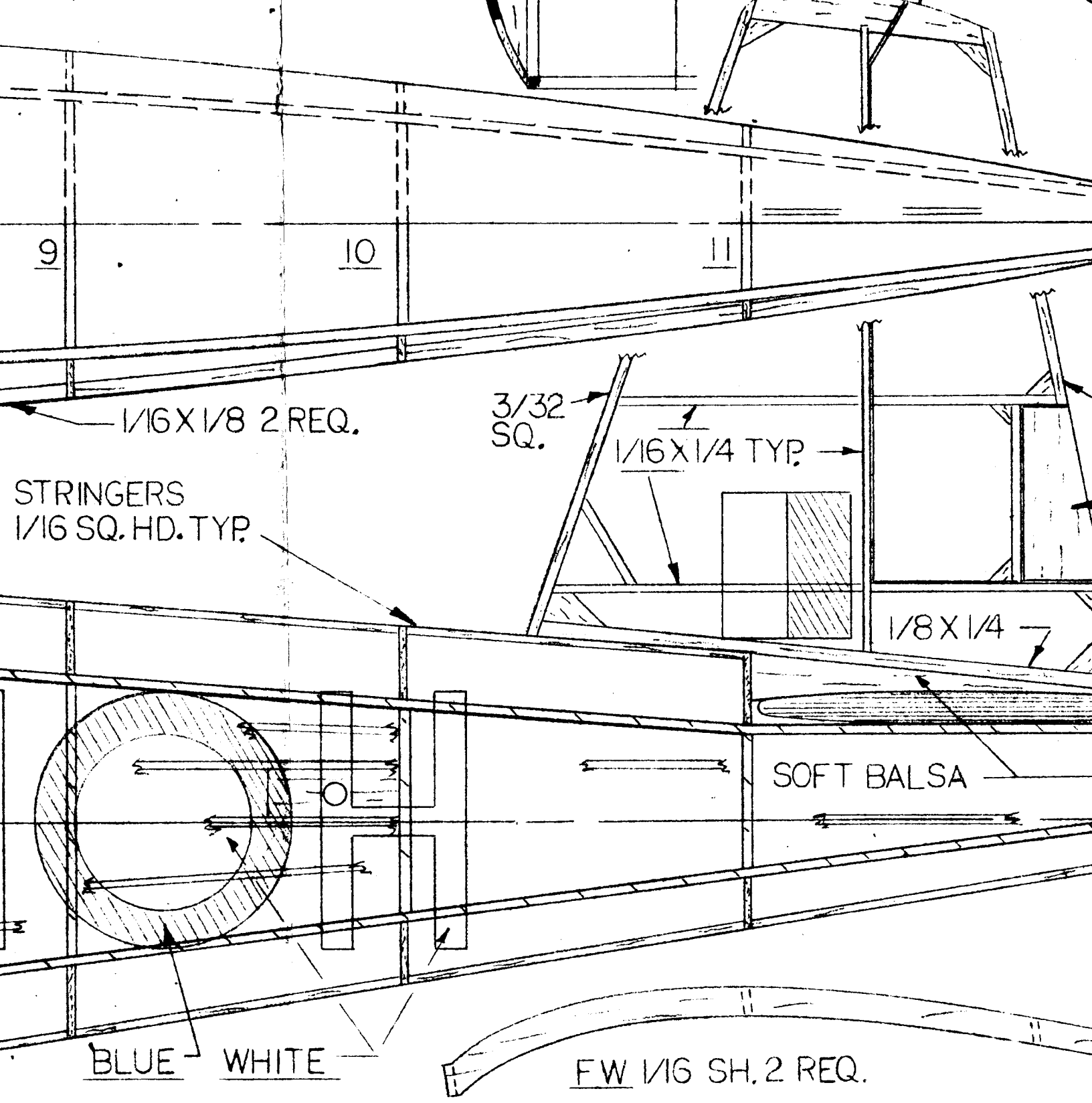


RE 1/32 WIRE

PLUG IN L.G. DETAILS

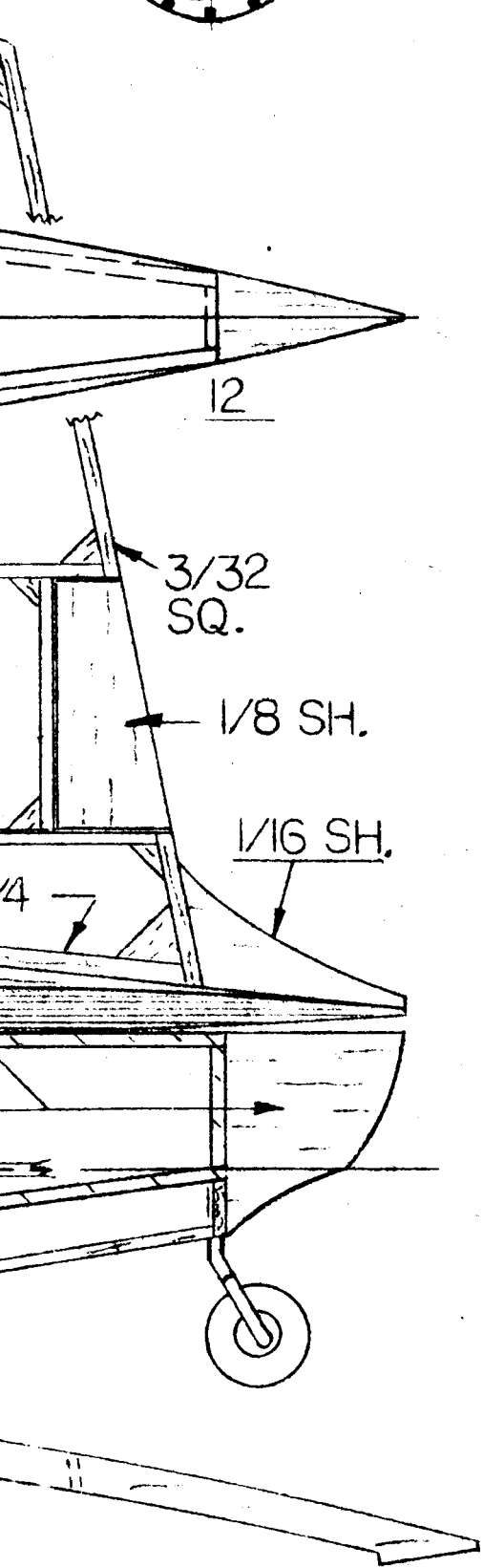
L.G. HOUSING
L.T. Balsa 2 REQ.





UBE

GULF COAST MODEL AVIATION
 ALTEE "VENGEANCE" RAAF 1943
 SCALE - 5/8"=12" SPAN - 30-1/2"
 BY M. MIDKIFF



ION

2.50