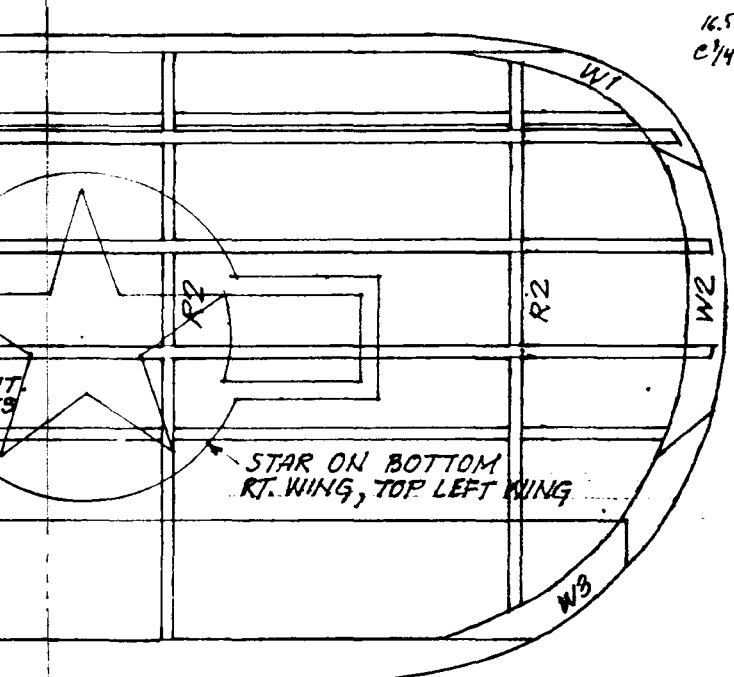
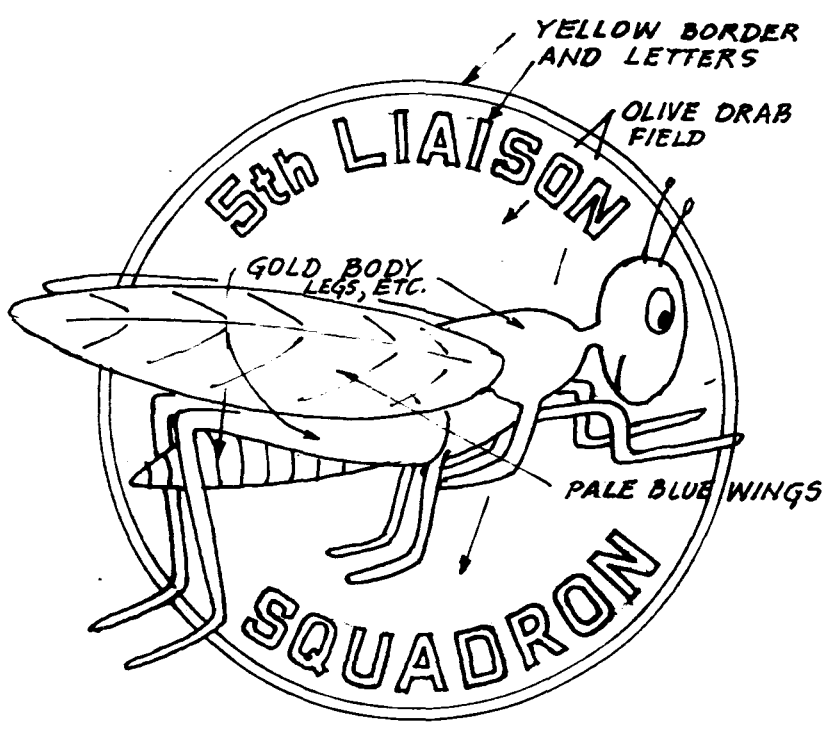


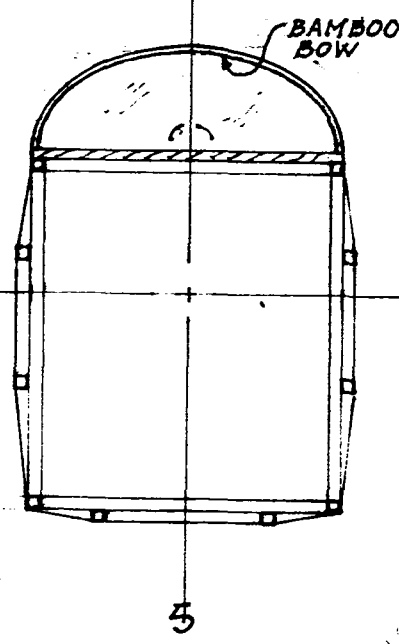
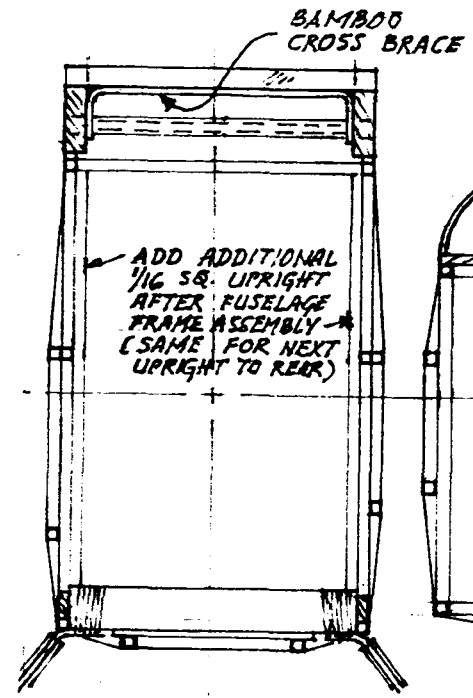
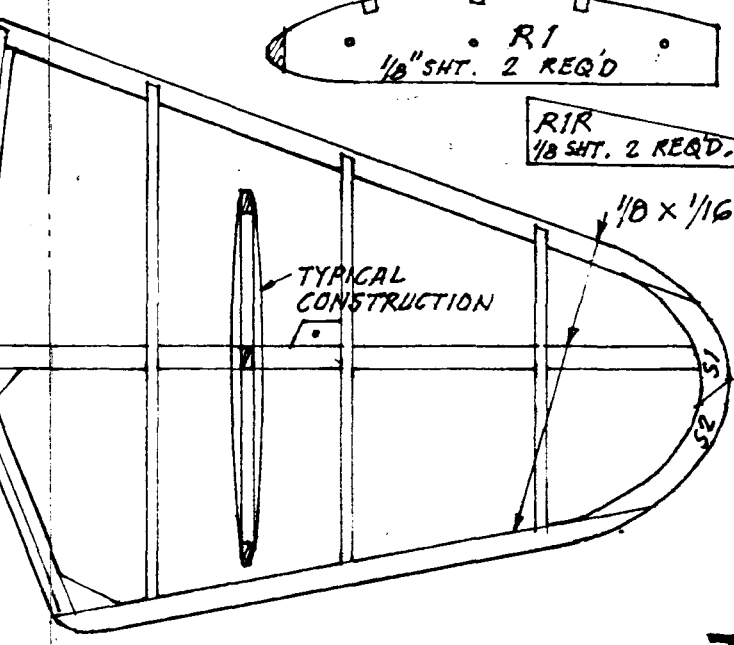
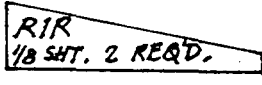
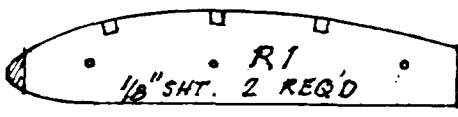
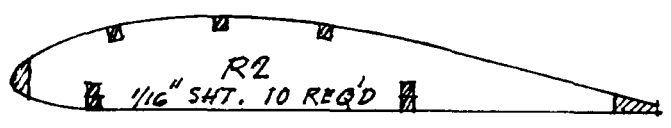
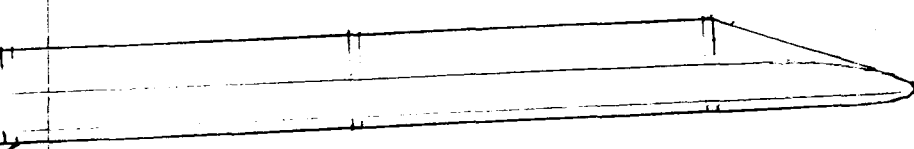
BAMBOO



16.5  
0.74



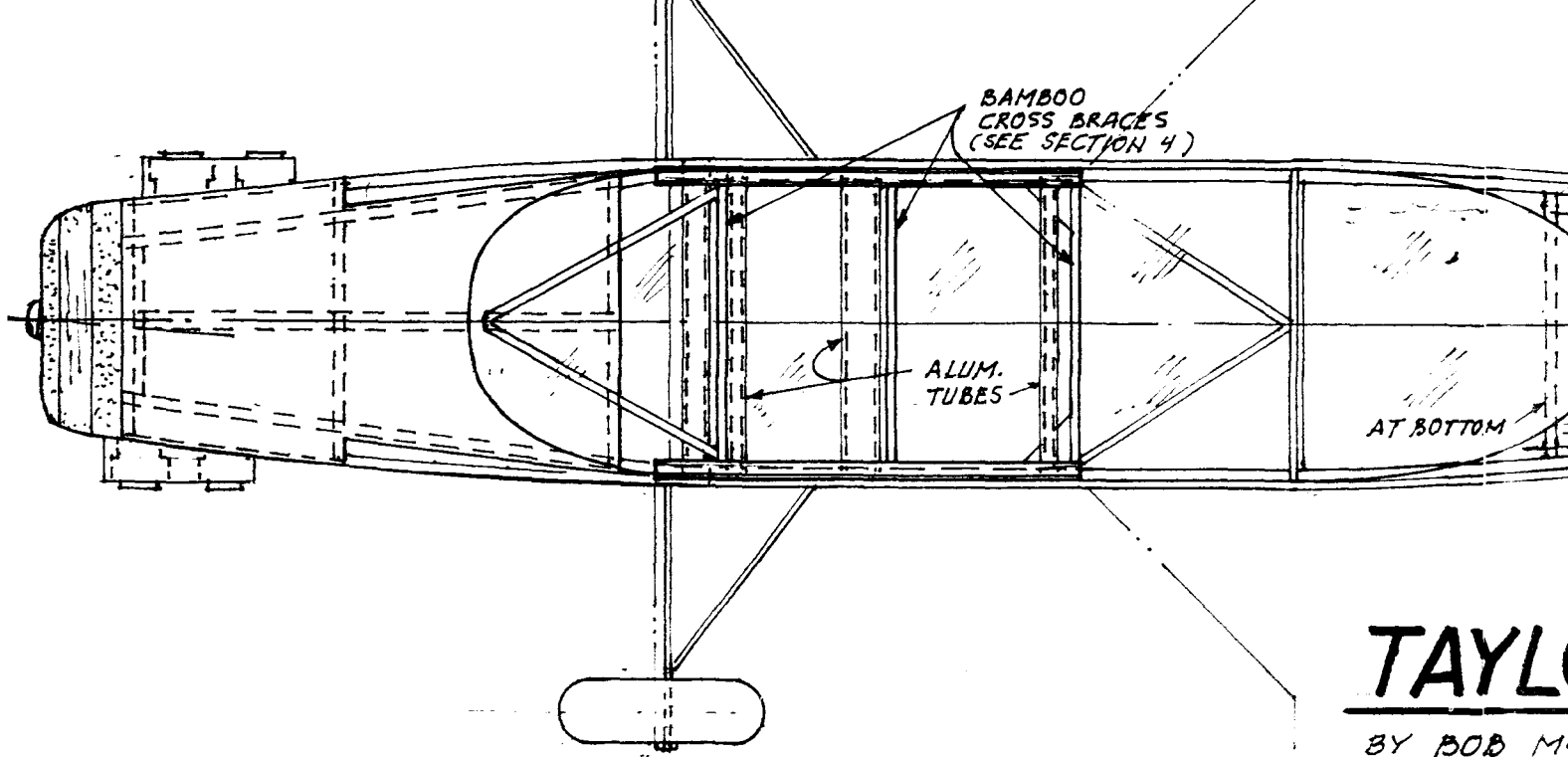
LIAISON INSIGNIA



# TAYLORCRAFT L-2

R. MCLELLON

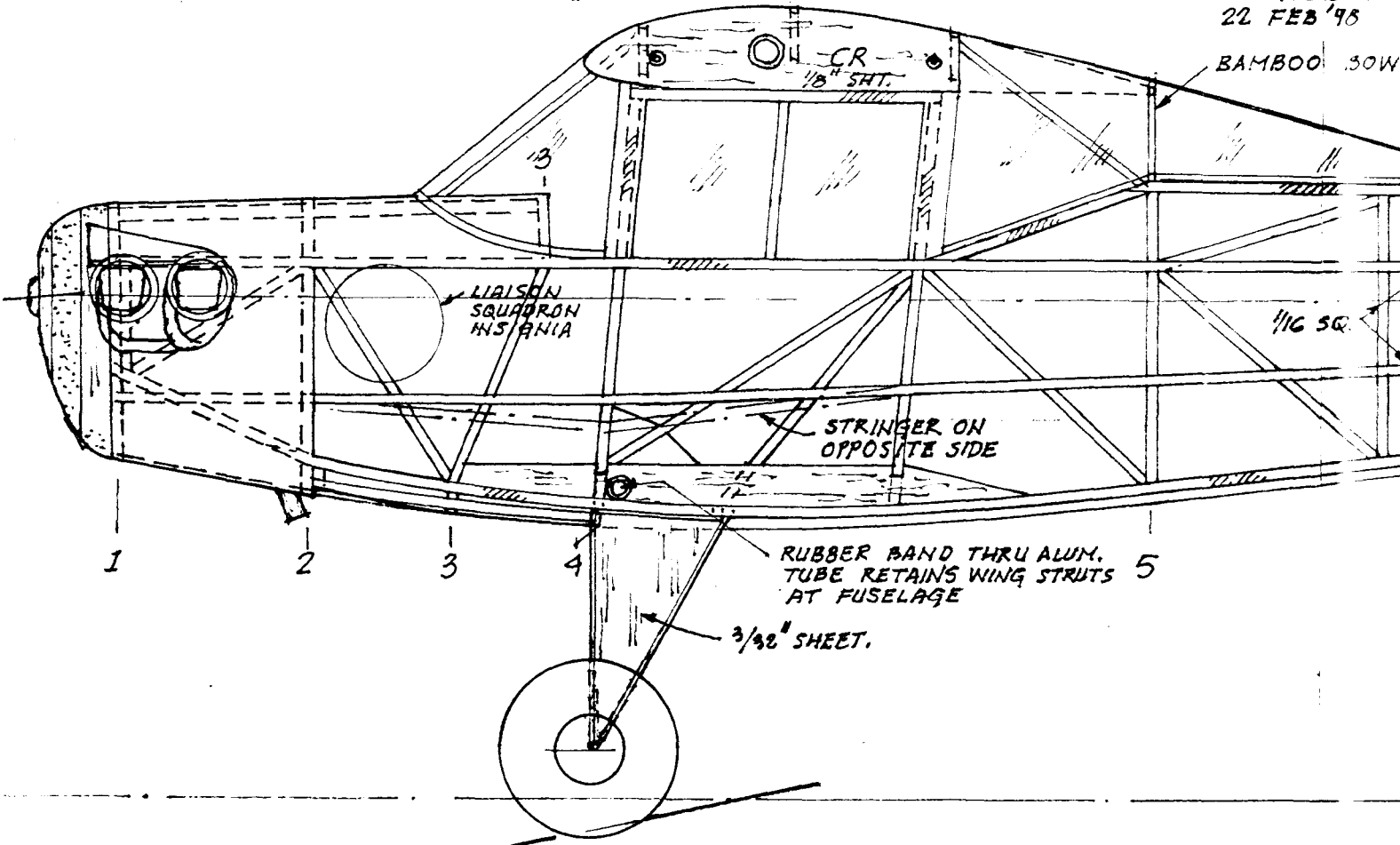
22 FEB 98



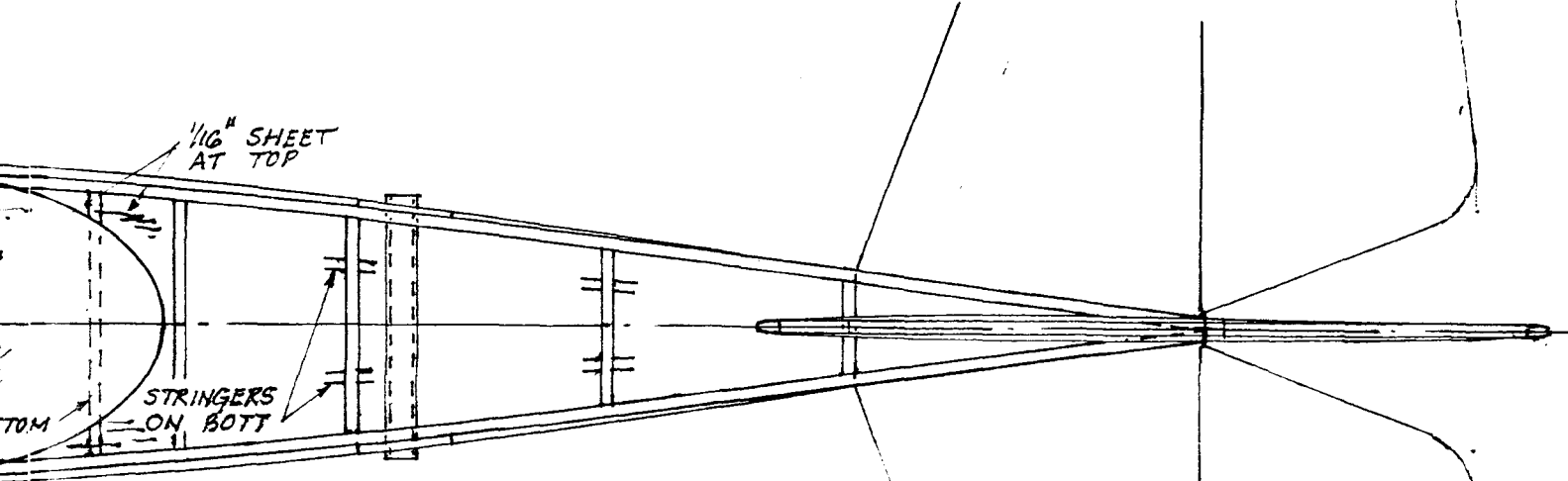
**TAYLOR**

BY BOB M  
22 FEB '98

BAMBOO 30W



(WITH APOLOGIES TO THE OLD MASTER 0000)  
A RE-WORKED EARL STAHL PLAN - 22" WINGSPAN



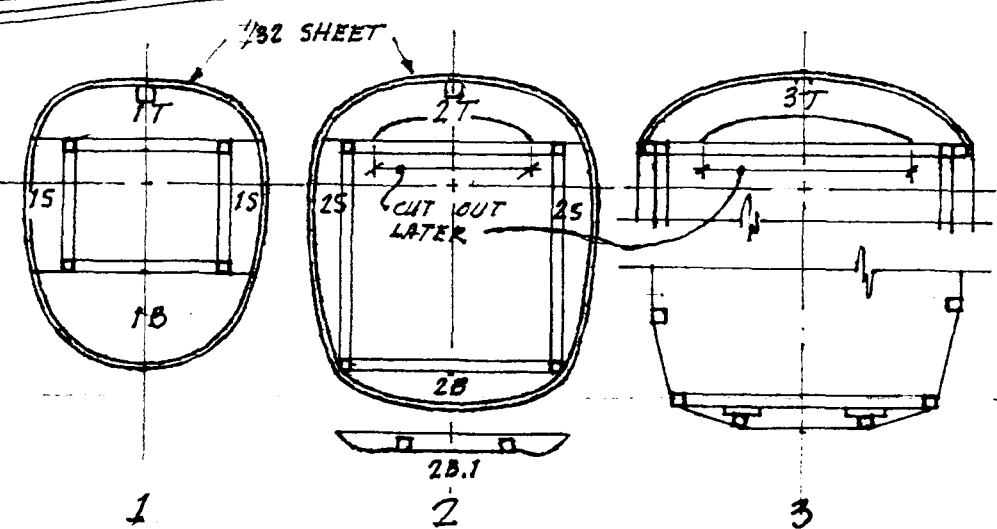
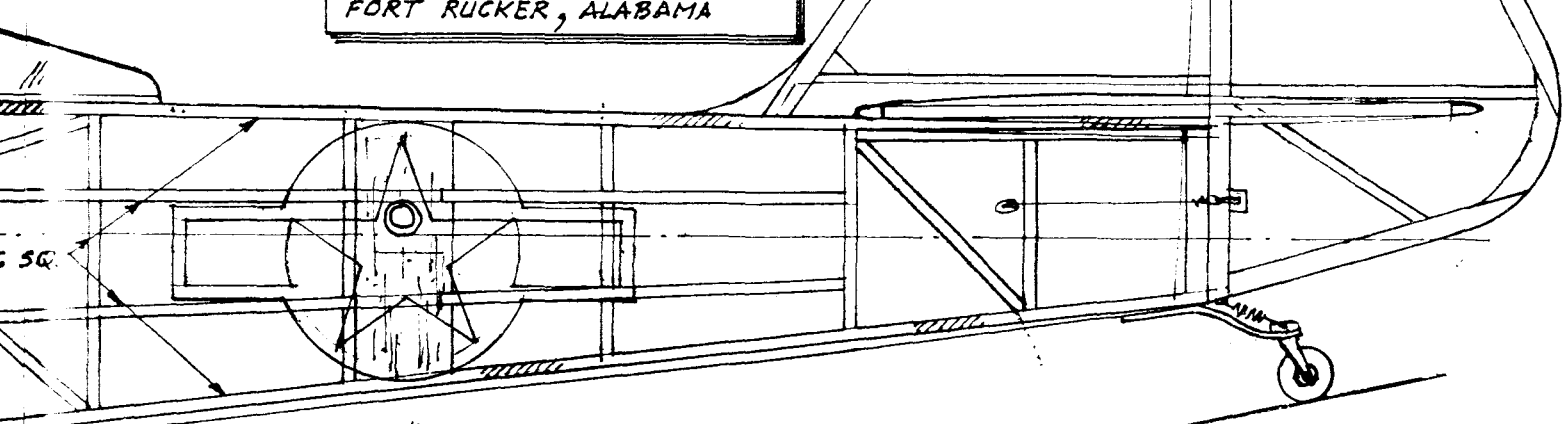
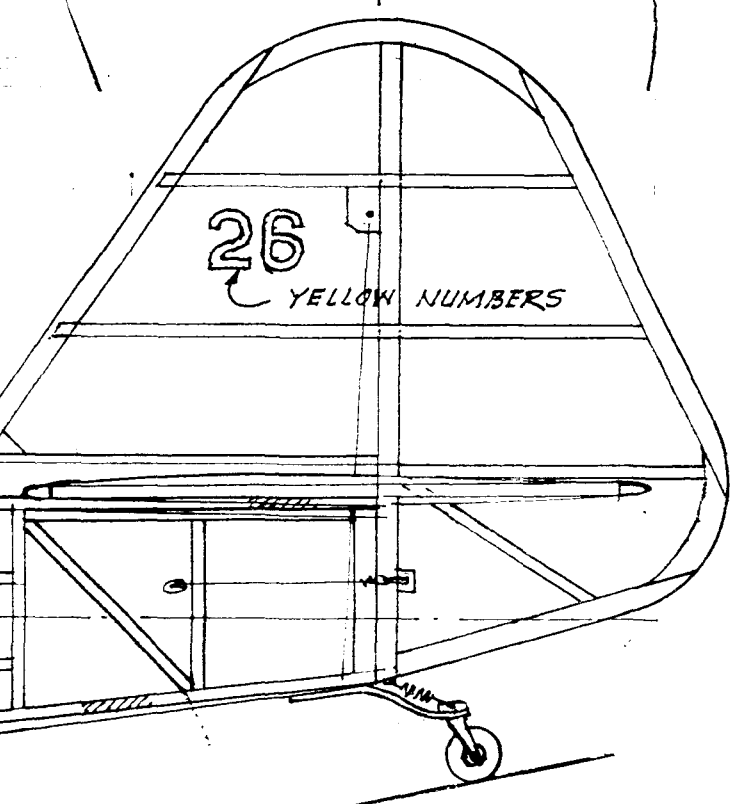
COLOR: AIRCRAFT IS ALL-OVER LIGHT OLIVE DRAB... ALMOST A CAMEL COLOR, AND GLOSSY

# WYLCORCRAFT L-2

BOB McLELLON  
B '98

00 30W

NOTE: AIRCRAFT DETAILS SHOWN HEREON TAKEN FROM L2 #42-36872 HANGING IN ARMY AVIATION MUSEUM AT FORT RUCKER, ALABAMA



SPAN