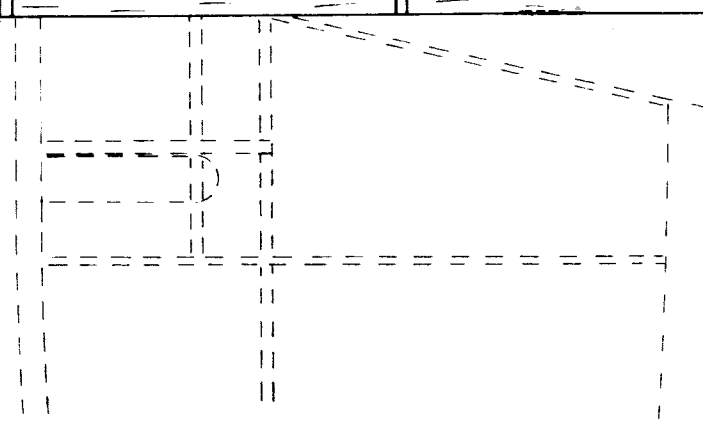
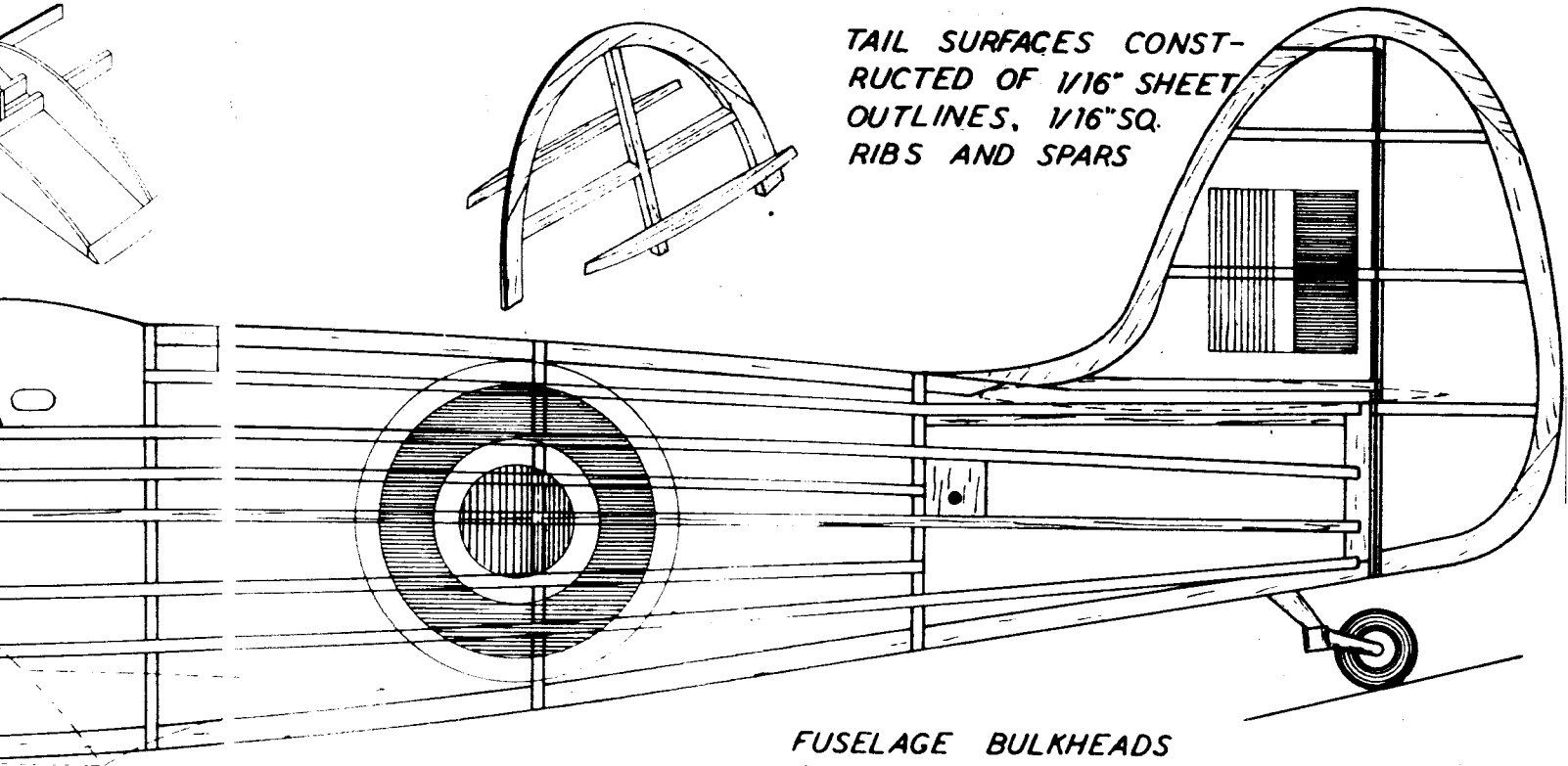


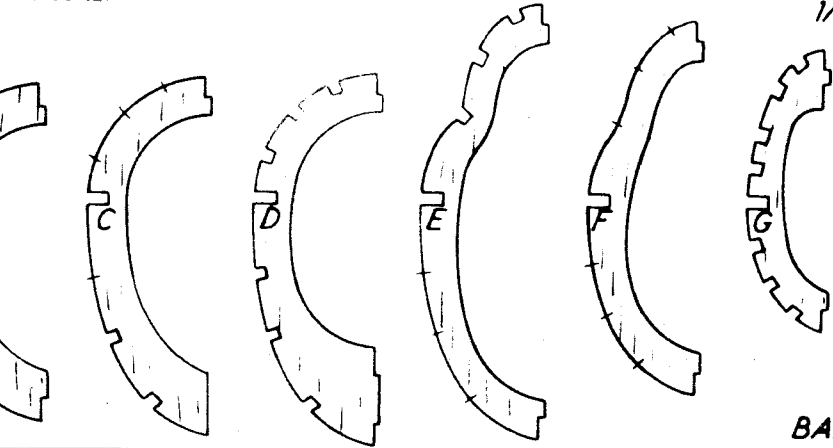
SPITFIRE IX  
BY  
EARL STAHL



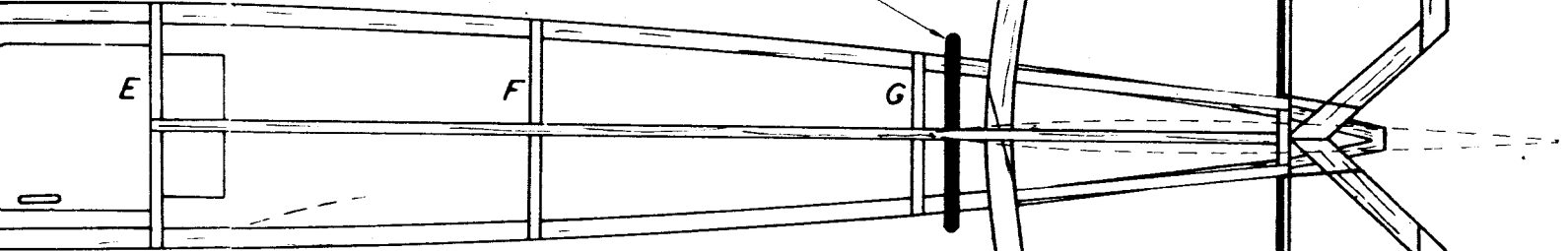
TAIL SURFACES CON-  
STRUCTED OF 1/16" SHEET  
OUTLINES, 1/16" SQ.  
RIBS AND SPARS



FUSELAGE BULKHEADS  
1/16" SHEET Balsa

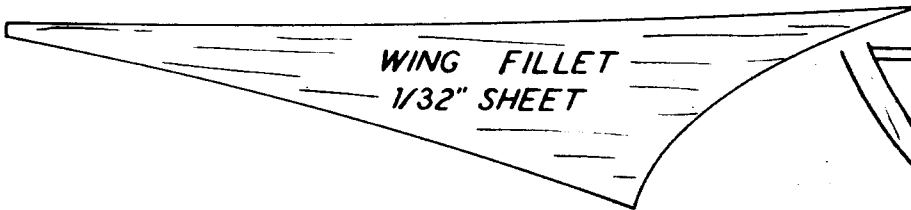


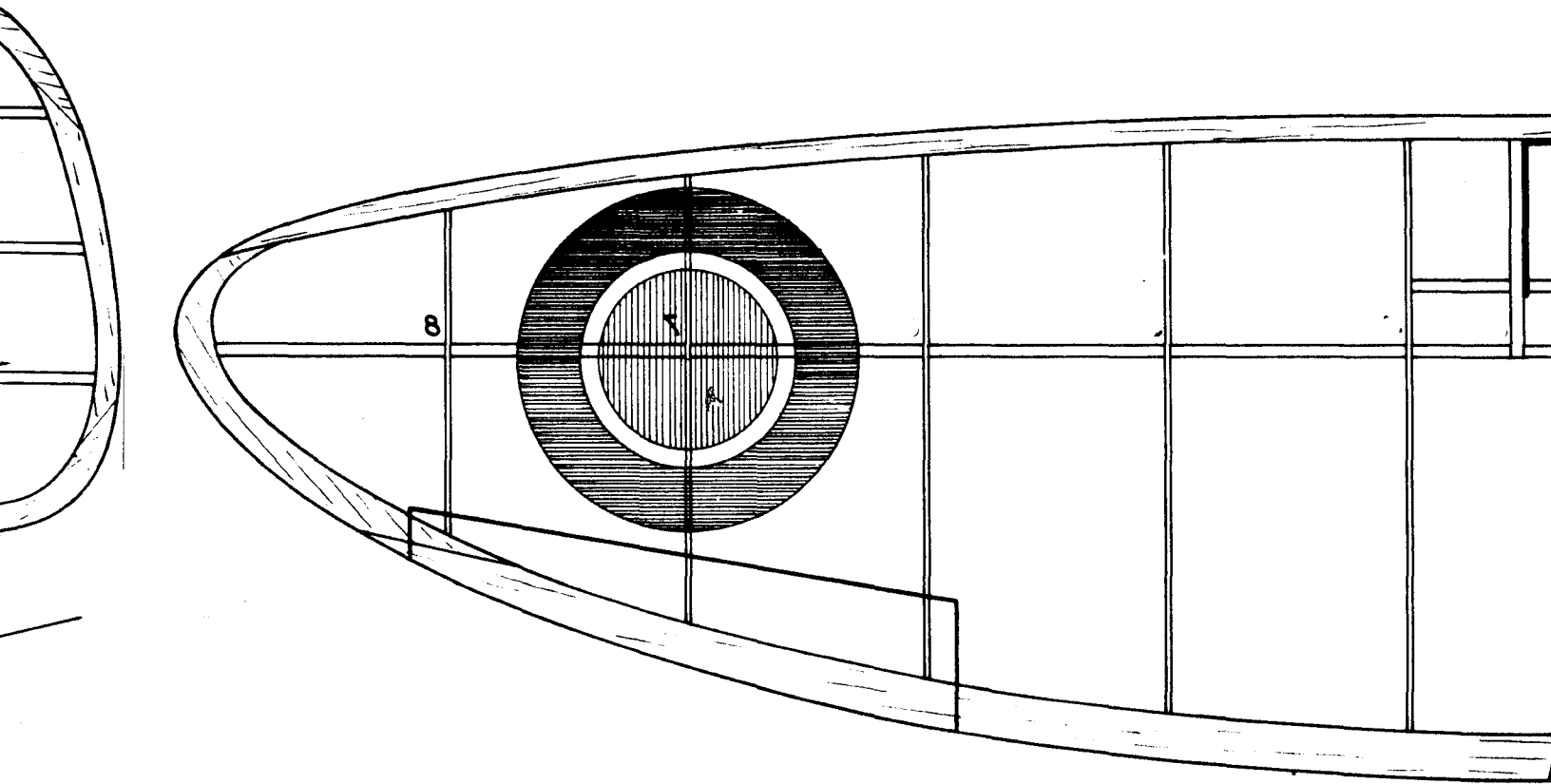
BAMBOO PIN



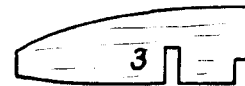
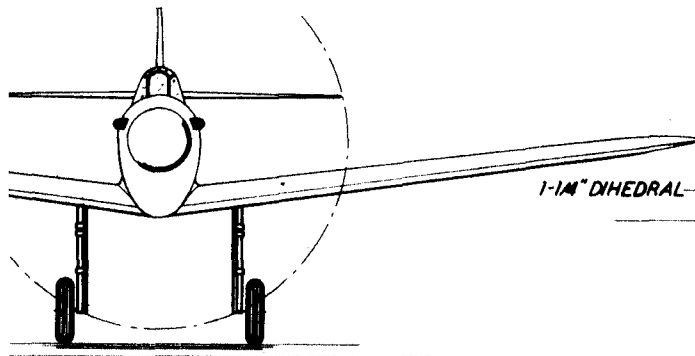
MANY OF THE FUSELAGE STRINGERS  
ARE NOT SHOWN TO REVEAL THE  
1/16" SHEET KEELS

WING FILLET  
1/32" SHEET



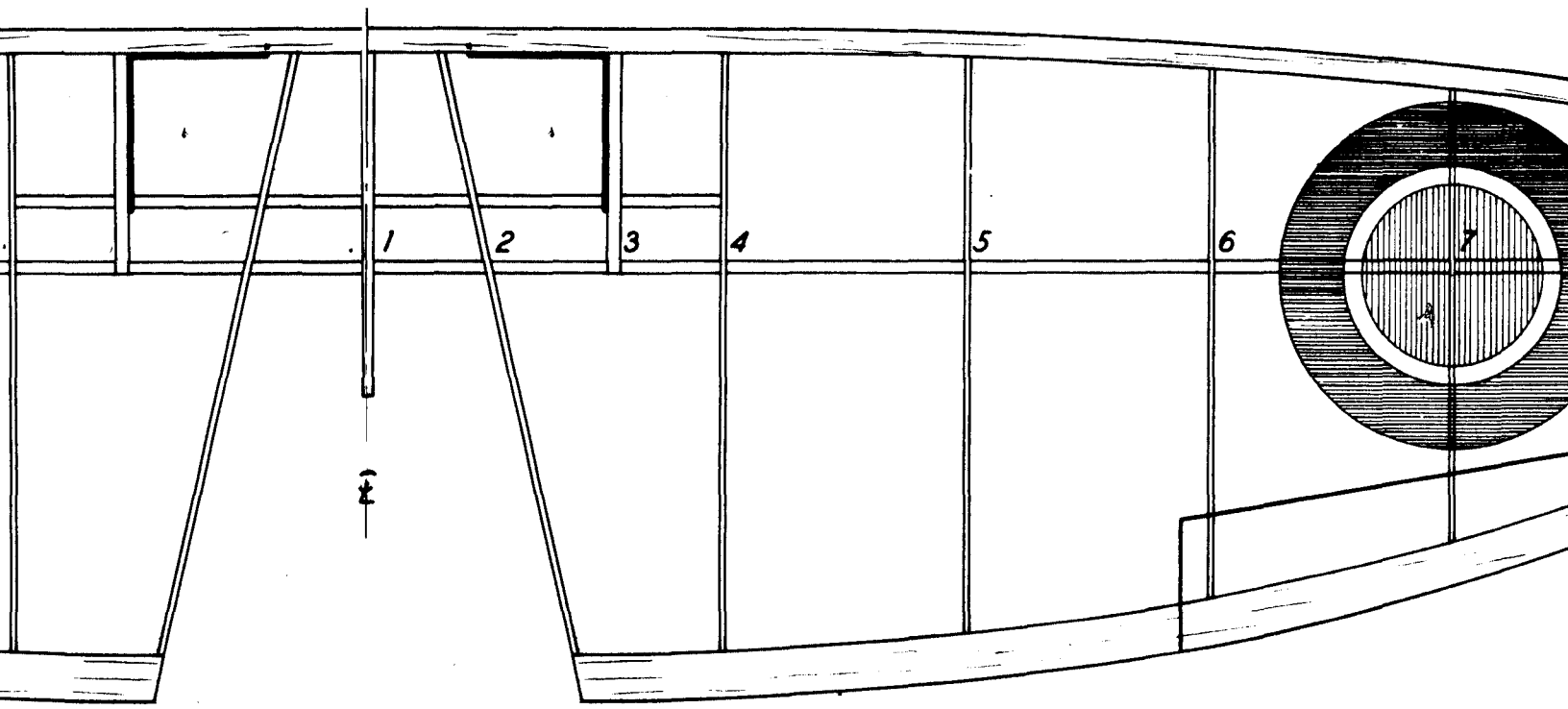


FRONT VIEW

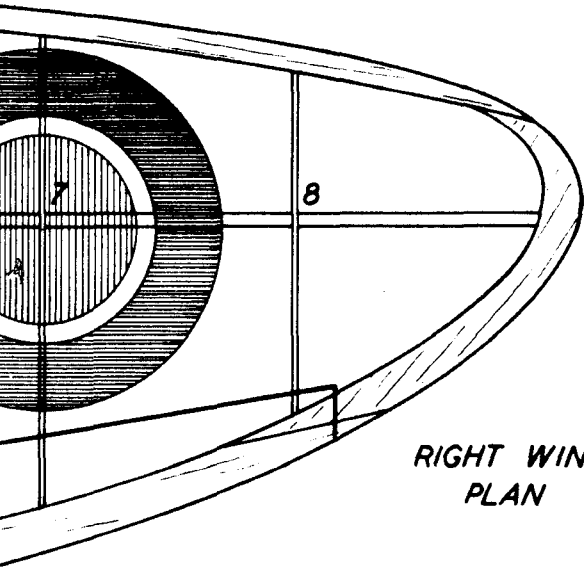


WING RIBS 1/32" SHEET  
EXCEPT 1 & 3 WHICH  
ARE 1/16" THICK





ET  
H



*RIGHT WING  
PLAN*