

1/16 SPAR

STRUT LOCATION (TYP)

2 7/8 x 3/4 x 1/2 SOFT BALSA FLOAT

THIS SECTION FLAT ON
BOTTOM WING ONLY.
COVER WITH 1/32 SHEET

DIHEDRAL BREAK TOP WING
" " " BOT. WING

EMBED ALUM. TUBE BRACES
IN SOFT BALSA TIPS & HOT STUFF

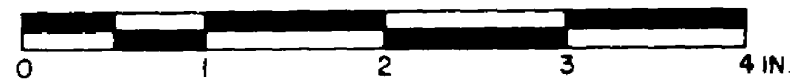
NOTCH RIB FOR ALUM.
TUBE BRACE. HOT
STUFF IN
PLACE.

3/32 x 3/16 T.E

3/32 SHEET

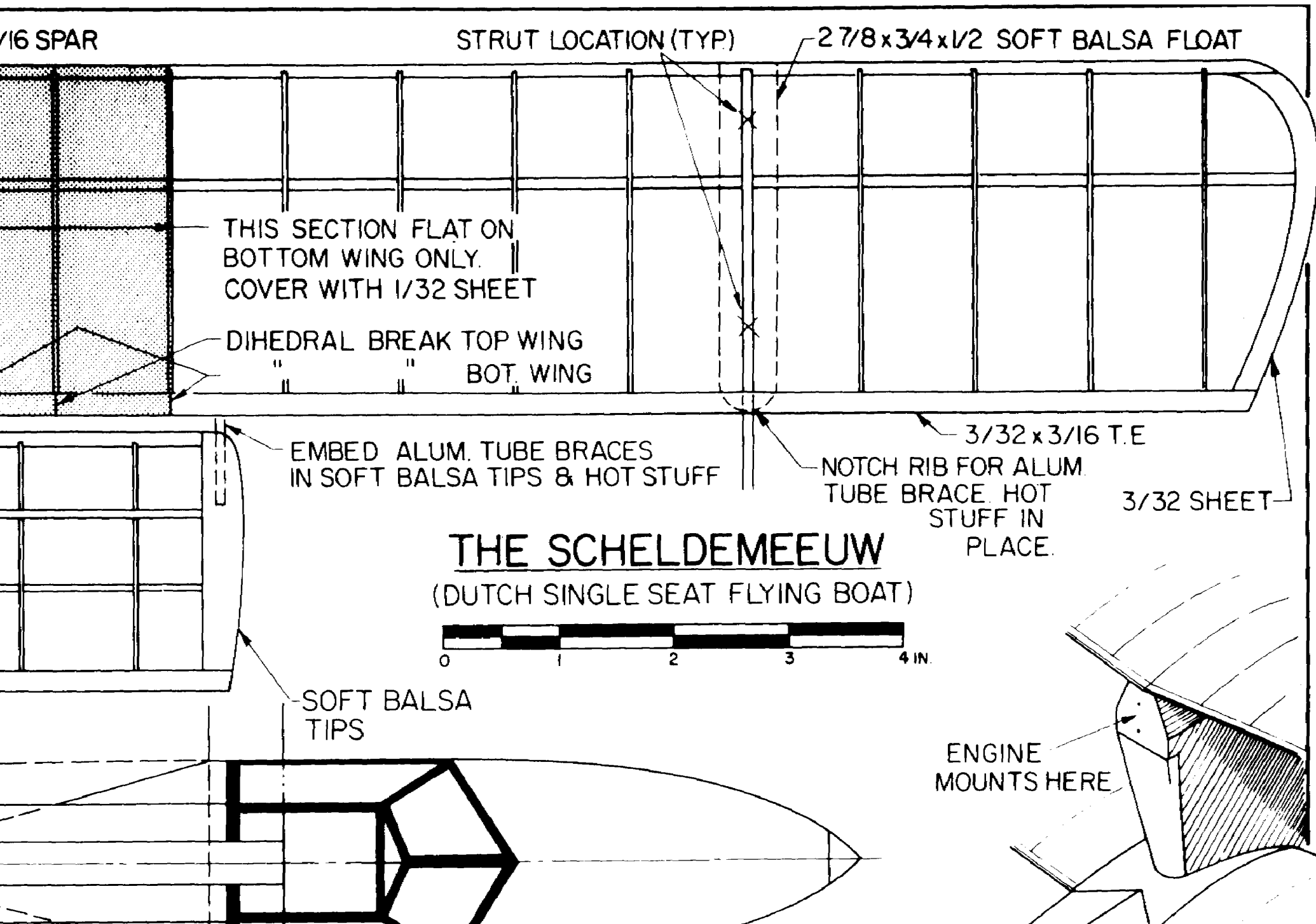
THE SCHELDEMEEUW

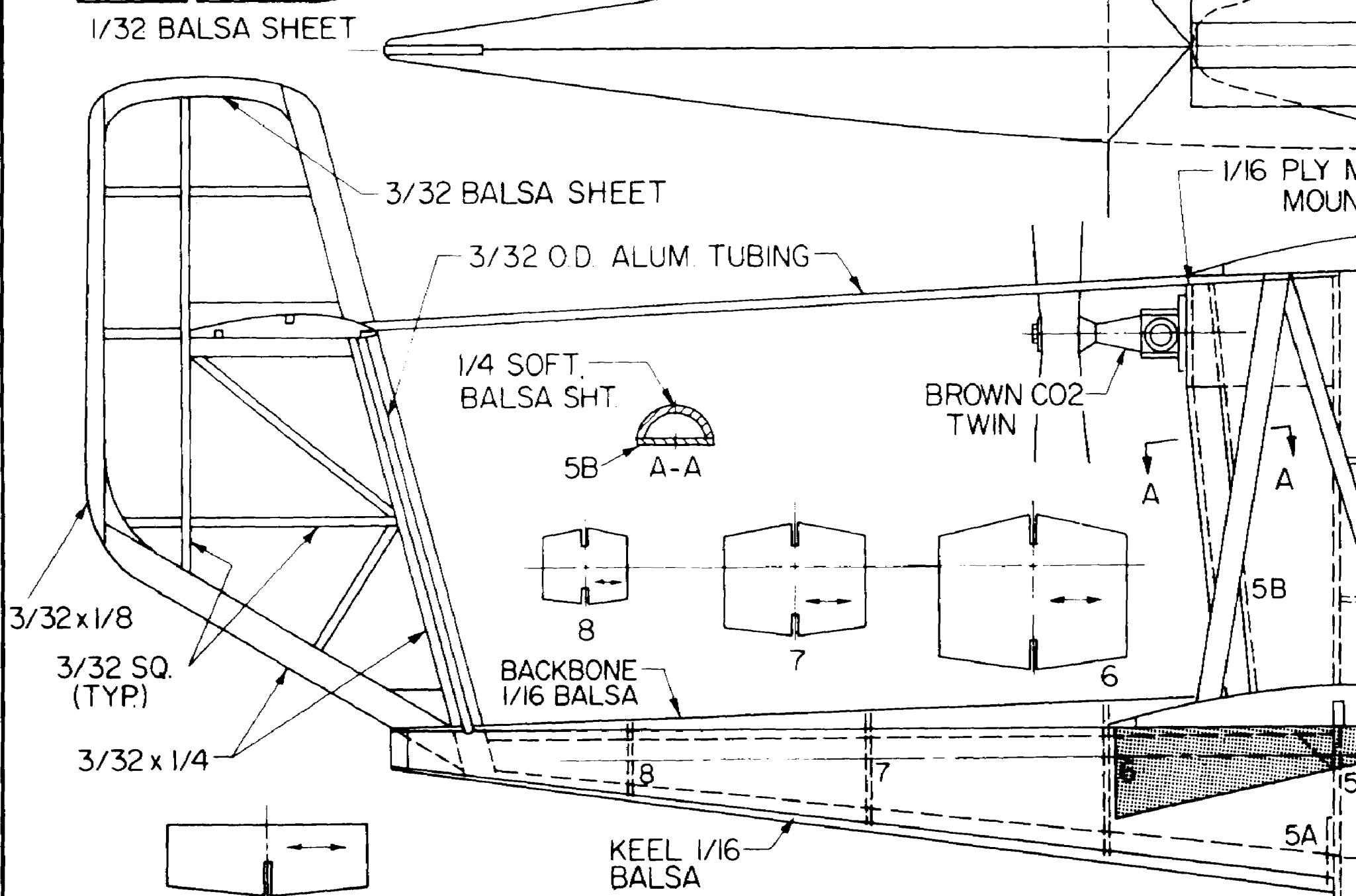
(DUTCH SINGLE SEAT FLYING BOAT)



SOFT BALSA
TIPS

ENGINE
MOUNTS HERE





ALL FORMERS AND RIBS 1/20 Balsa
 FUSELAGE COVERED WITH 1/20 OR VERY LIGHT 1/16 Balsa SHEET.

