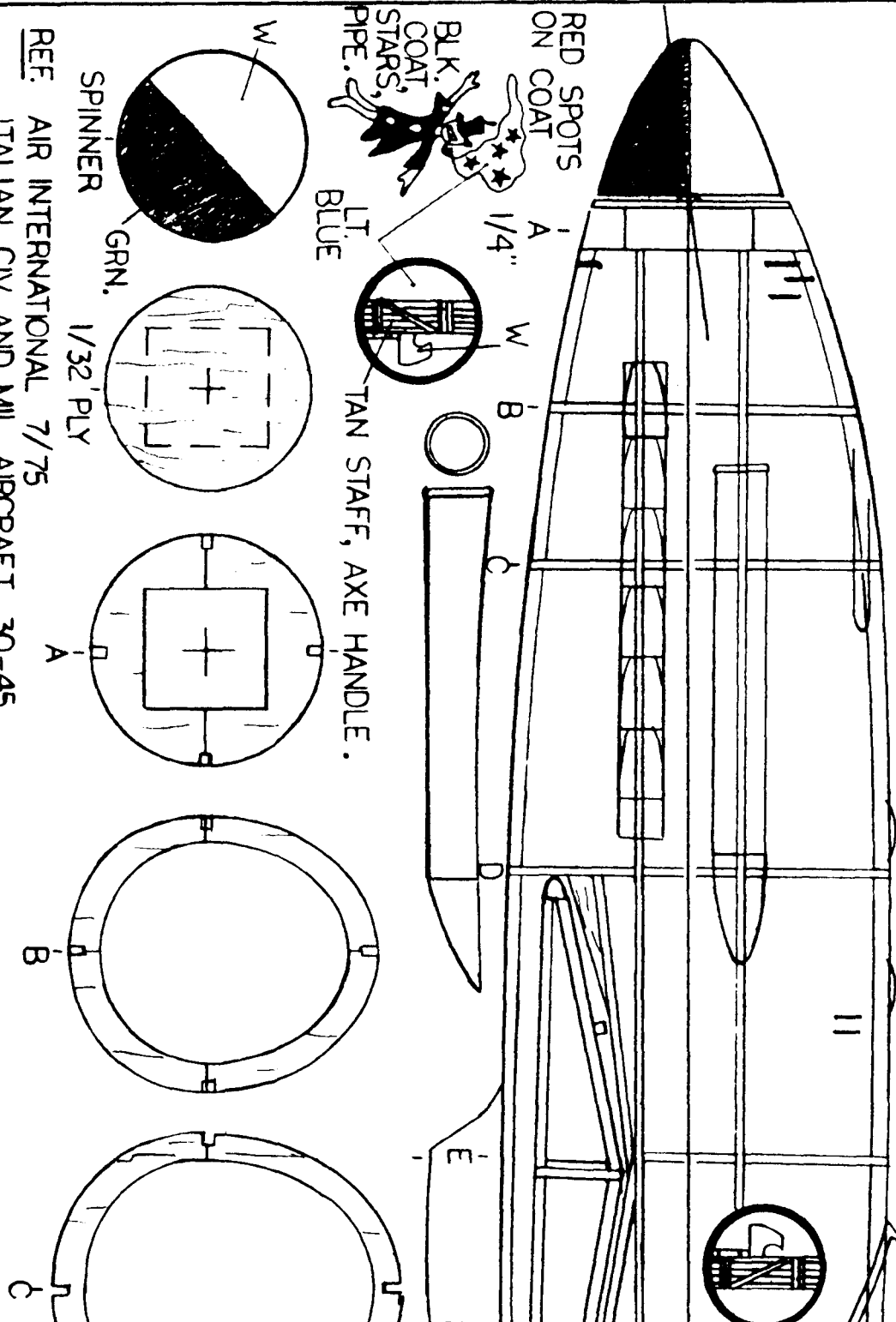


USE 1/20" STRINER

RE-2005

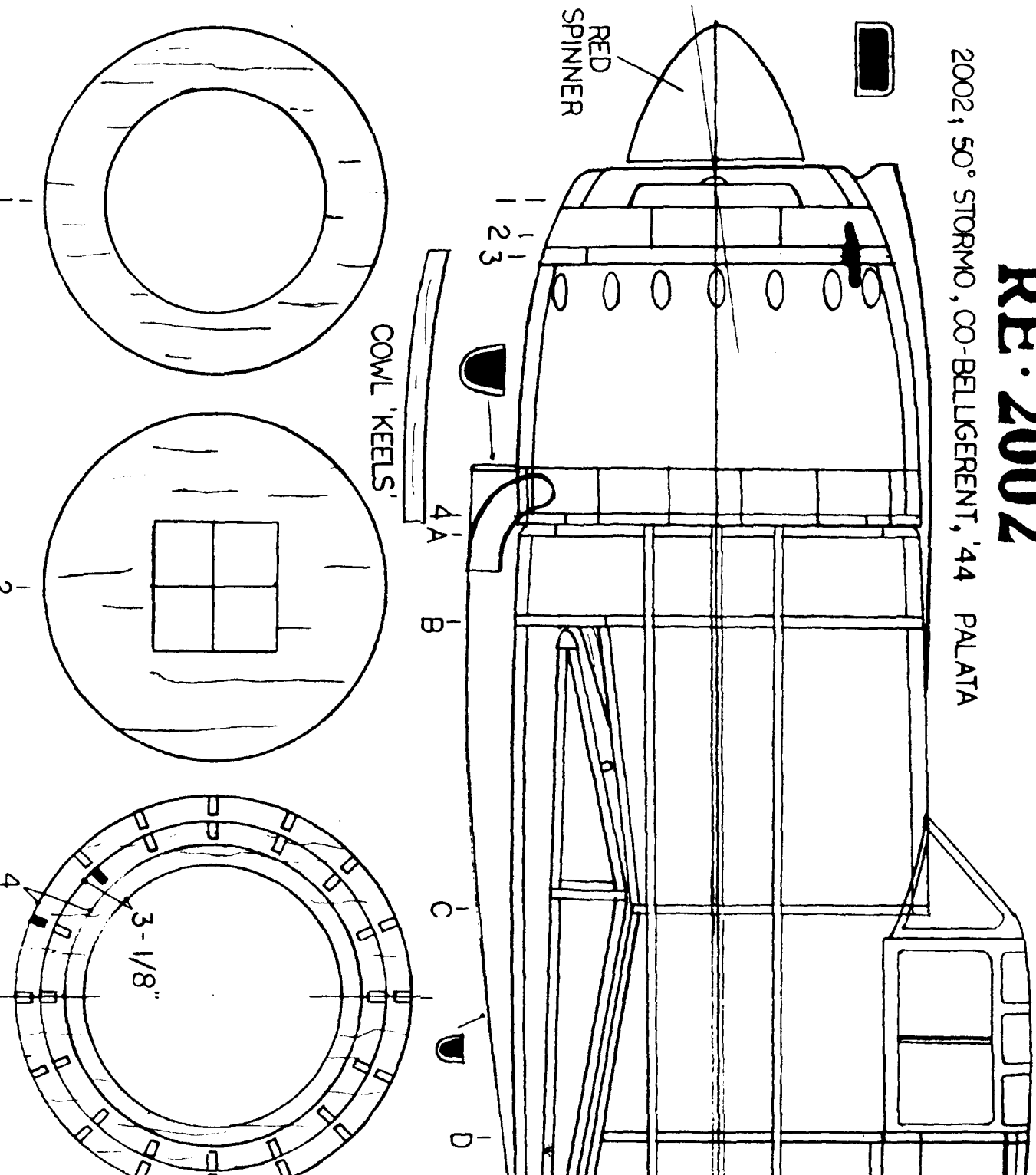
2005; 22 GRUPO, '43, NAPLES.



REF. AIR INTERNATIONAL 7/75
ITALIAN CIV. AND MIL. AIRCRAFT, 30-45.

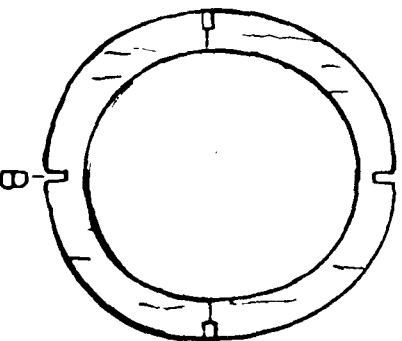
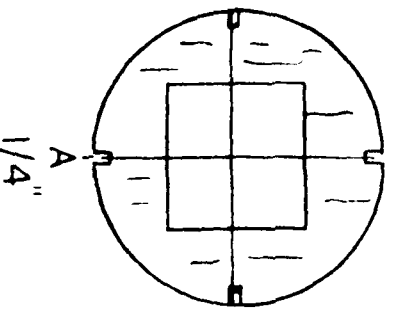
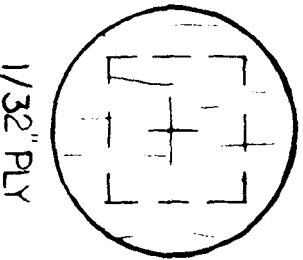
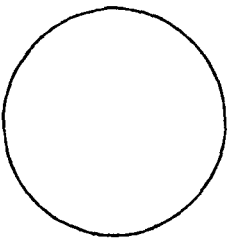
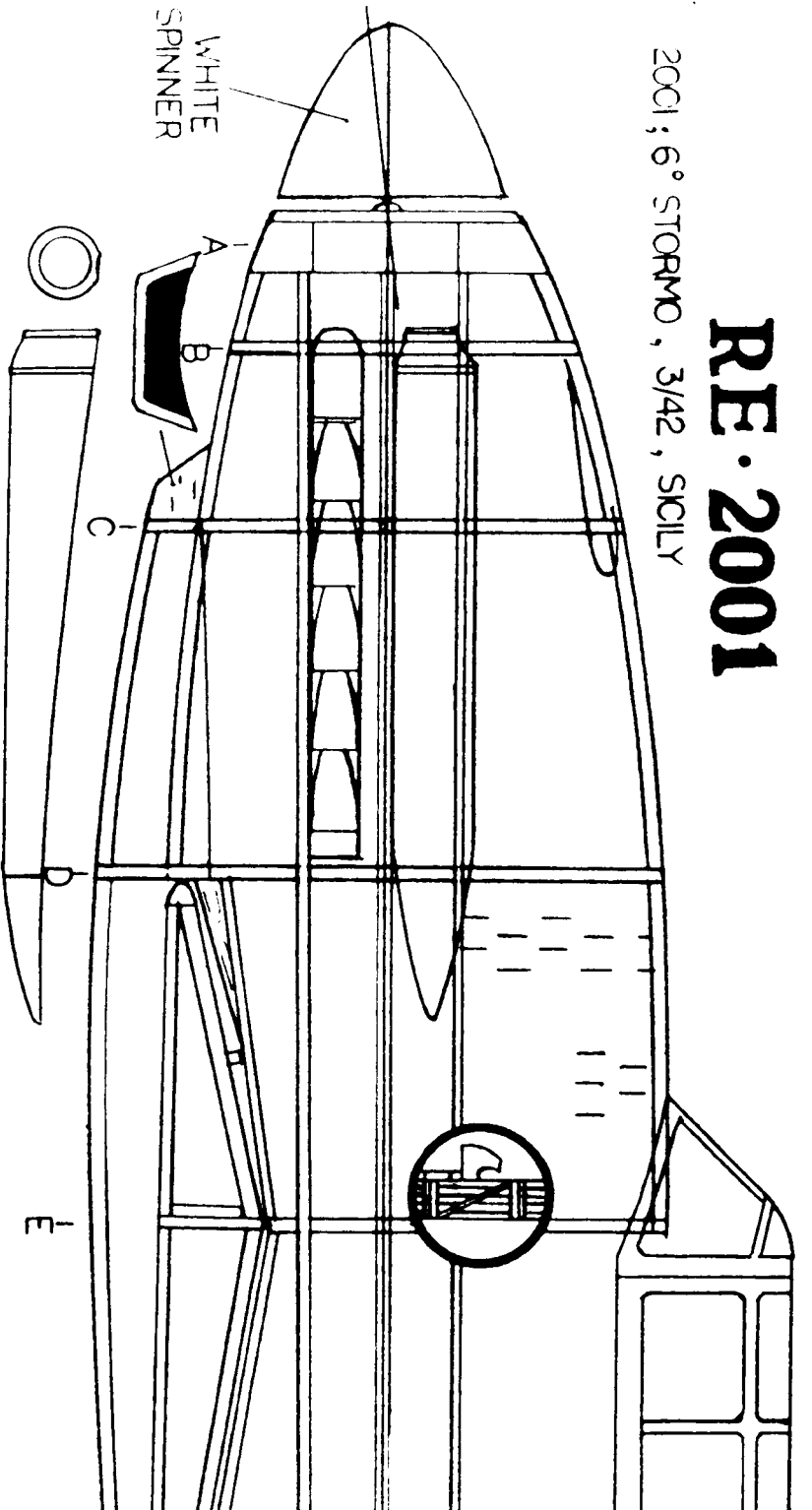
RE-2002

2002 1/2 50° STORMO, OO-BELLGERENT, '44 PALATA

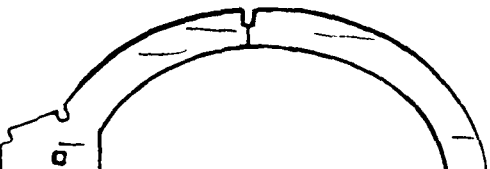


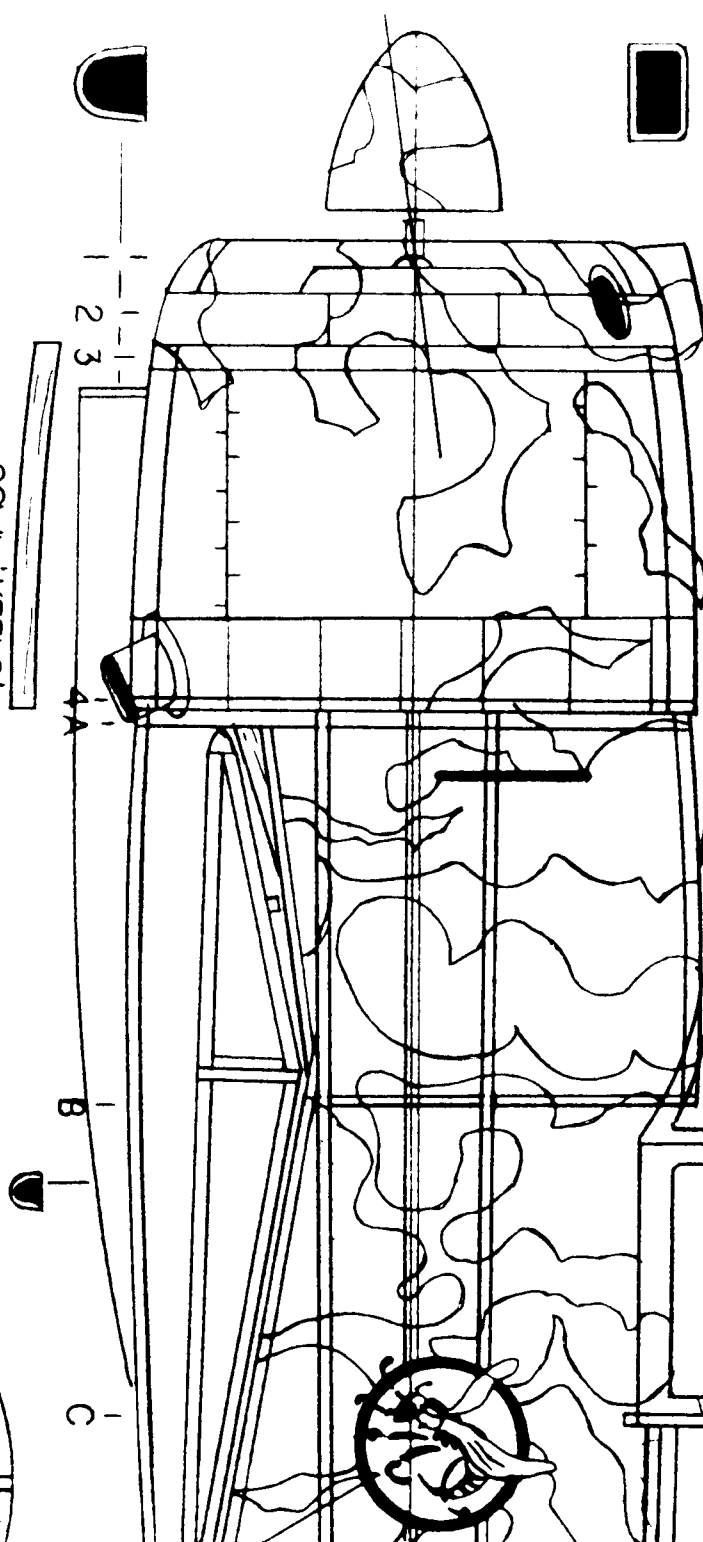
RE-2001

2001; 6° STORMO, 3/42, SCILLY

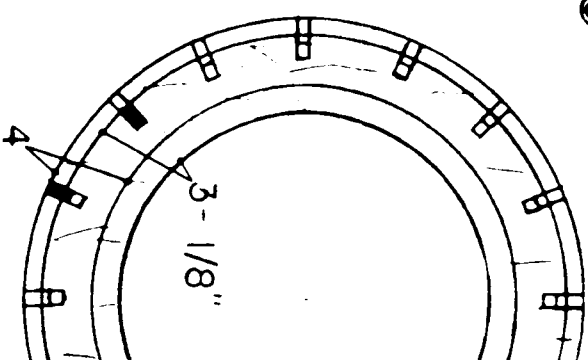
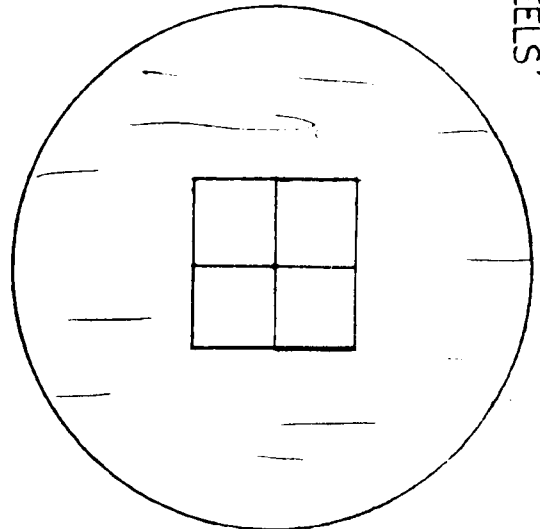
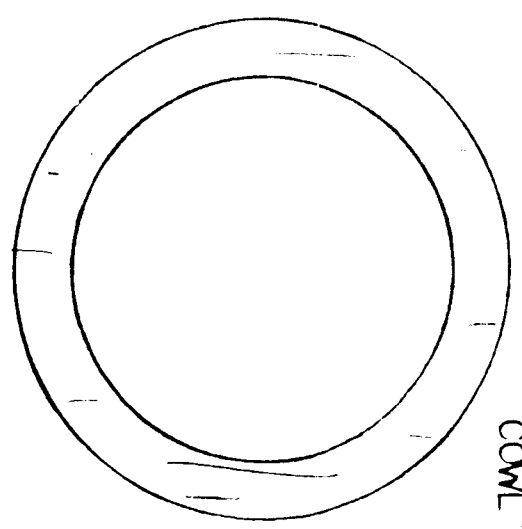


OTHER FORMERS
TO SUIT.





COWL 'KEELS'



OTHER FORMERS TO SUIT.

RE-2001

Reggiourne

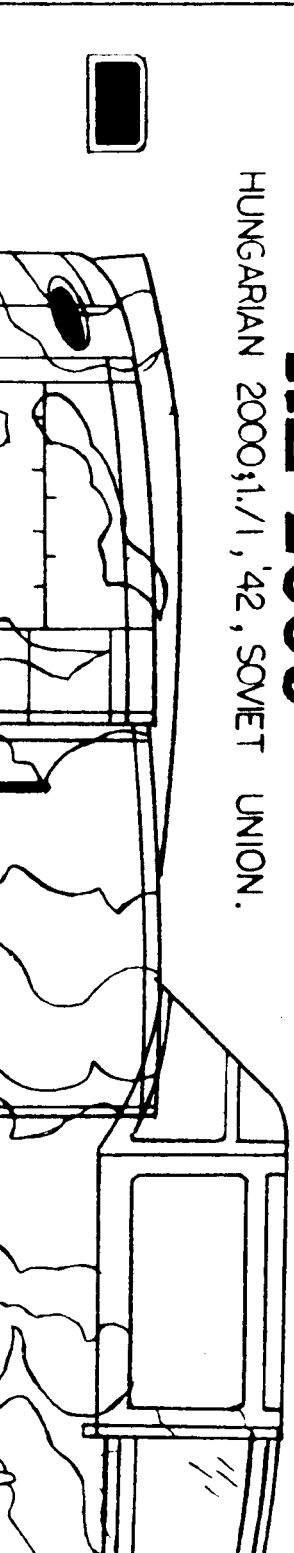
BY

DAVID G. SMITH
6715 LAKE ARCADIA LANE
COLUMBIA, SC 29206
2-7-96

RE-2000

HUNGARIAN 2000; 1/1, '42, SOVIET UNION.

A BEAUTIFUL SERIES OF
REGGIANE SUBSIDIARY
UTILIZED THE SAME V

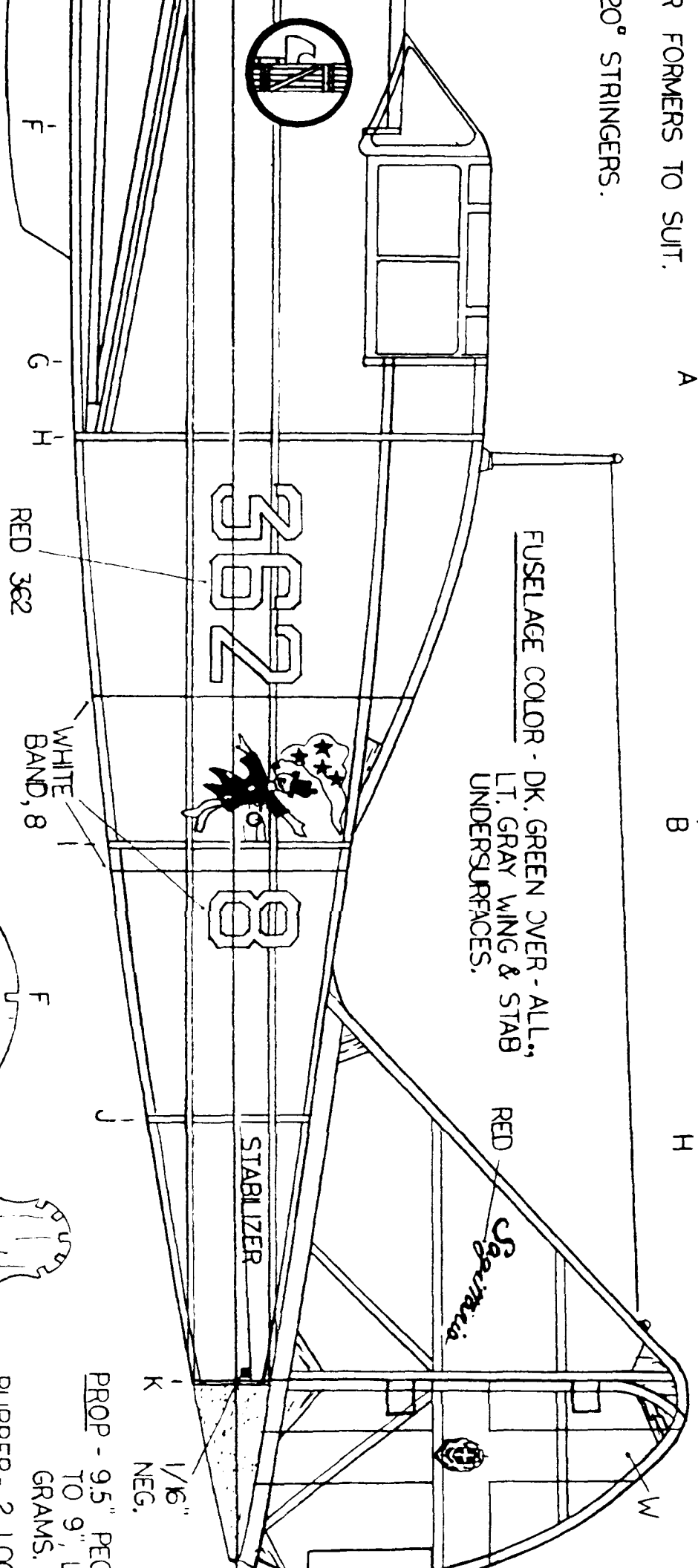
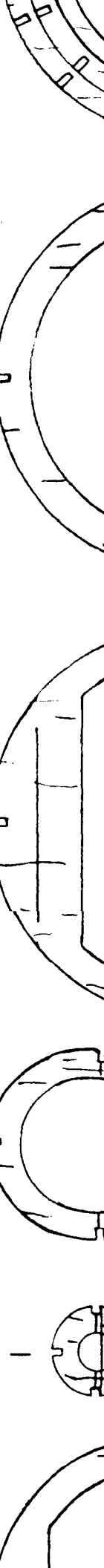


FORMERS TO SUIT.
20° STRINGERS.

A

B

H



FUSELAGE COLOR - DK. GREEN OVER - ALL.
LT. GRAY WING & STAB
UNDERSURFACES.

RED

Sagittaria

362

88

STABILIZER

RED 362

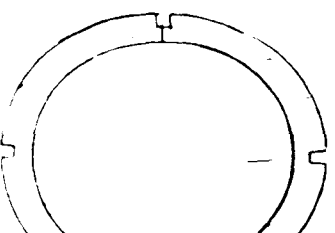
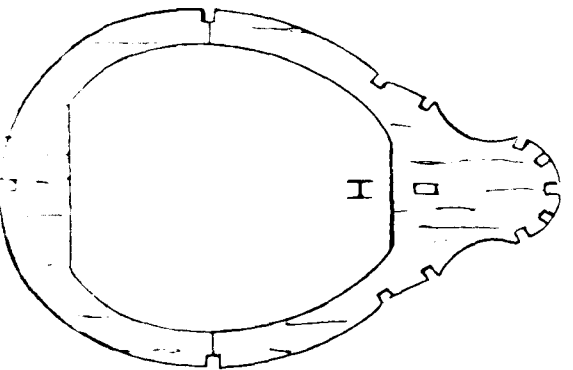
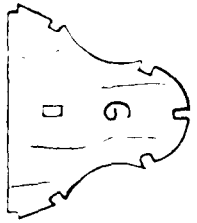
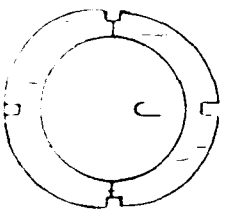
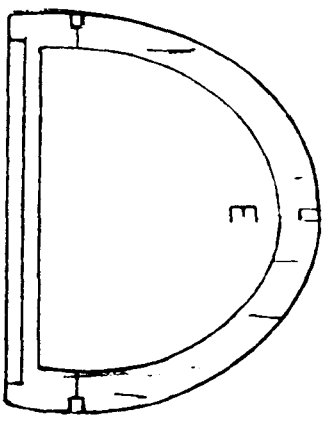
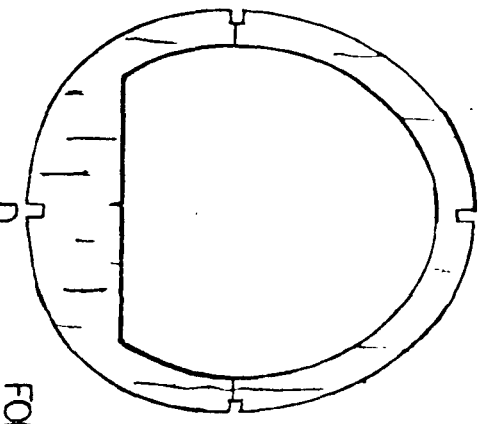
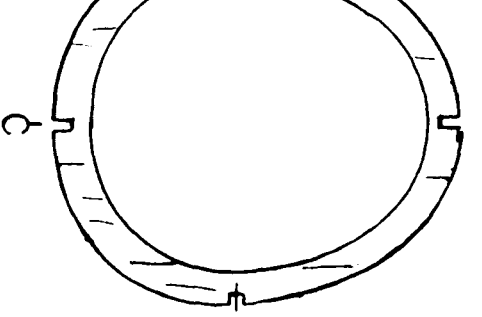
WHITE
BAND, 8

PROP - 9.5" PEG
TO 9" L

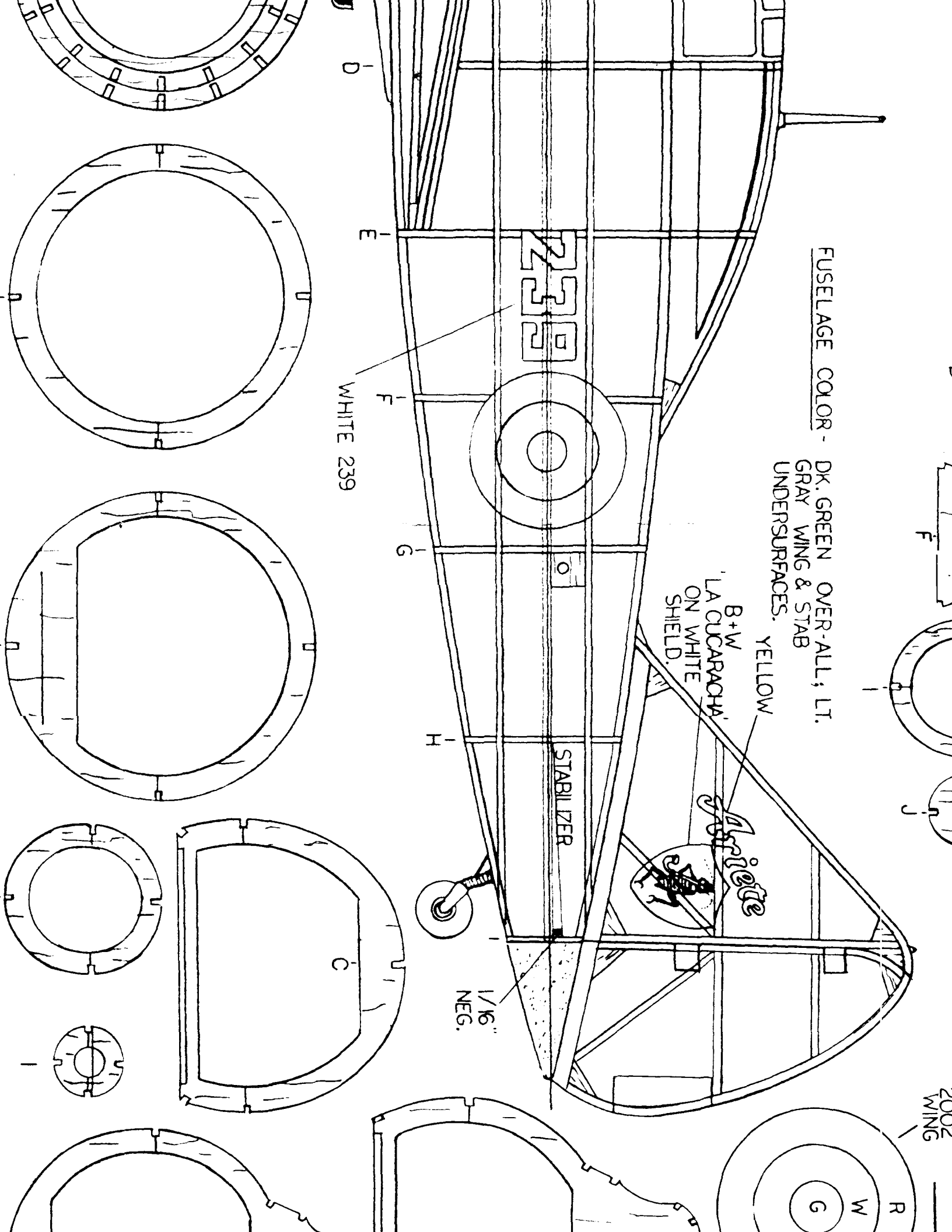
GRAMS.

RUBBER - 2 LOK
TAN II

1/16"
NEG.



FORMERS TO SUIT.



FUSELAGE COLOR -

DK. GREEN OVER-ALL; LT. GRAY WING & STAB UNDERSURFACES. YELLOW

'LA CUCARACHA' B+W ON WHITE SHIELD

Aspizette

STABILIZER

1/16" NEG.

WHITE 239

2002 WING

R
W
G

D

E

F

G

H

C

F

J

I

GRAT. WING & STAB
UNDERSURFACES.

TAN &
BLK.
GALLETTO, WHT.
SHIELD.

DIHEDRAL
BREAK

152
4

STABILIZER

2001
RADIATOR

1/16" NEG.

L.G. FAIRING -

2000, 2001, 2002.

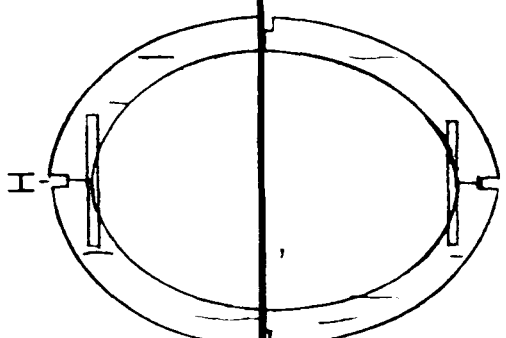
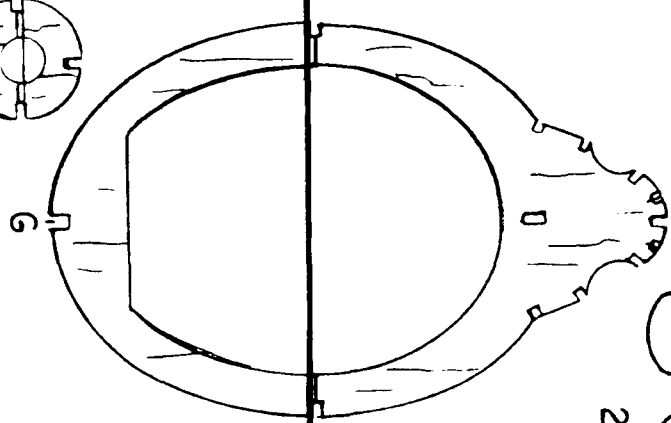
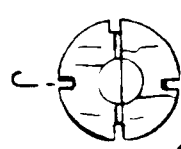
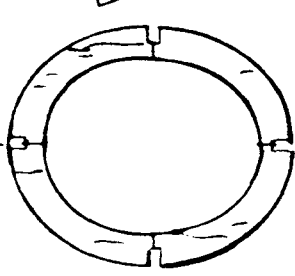
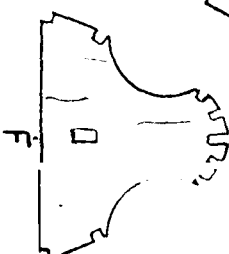
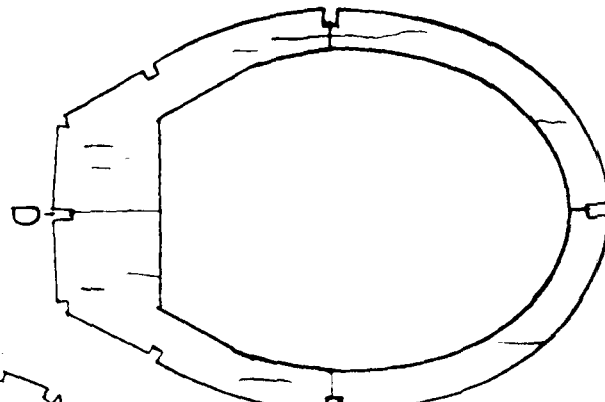
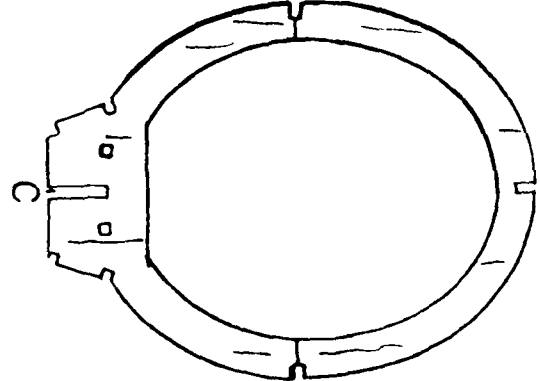
F

G

H

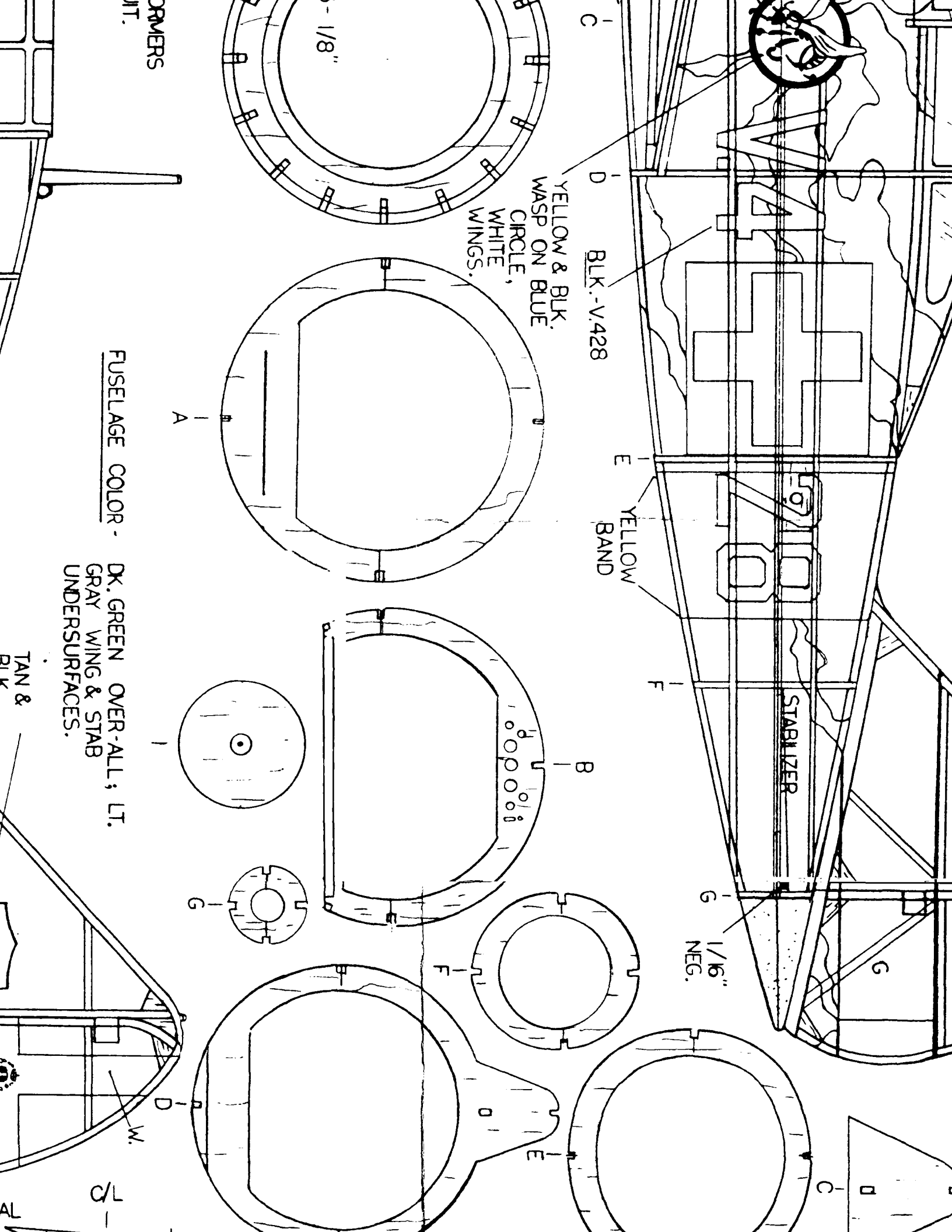
RED 4

WHITE 152,
BAND.



2002
WING

R



FORMERS
MT.

1/8"

YELLOW & BLK.
WASP ON BLUE
CIRCLE,
WHITE
WINGS.

BLK.-V.428

YELLOW
BAND

STABILIZER

1/16"
NEG.

FUSELAGE COLOR -

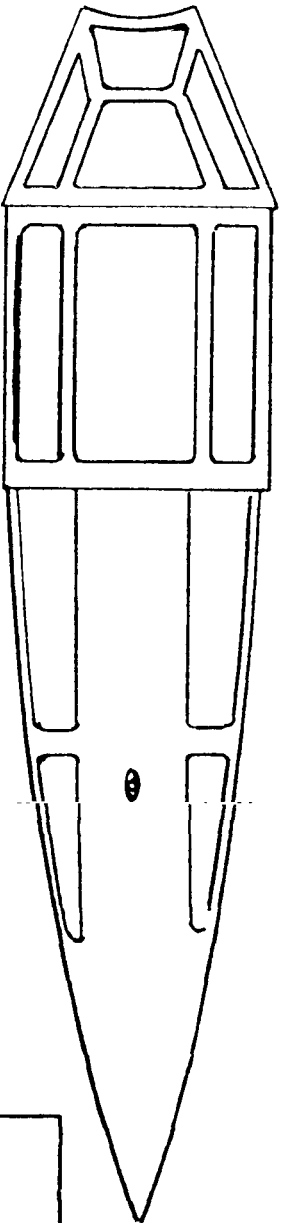
DK. GREEN OVER-ALL; LT.
GRAY WING & STAB
UNDERSURFACES.

TAN &
BLK

1/2

AL

SERIES OF AIRCRAFT BUILT BY THE
 SUBSIDIARY OF CAPRONI A/C. ALL FOUR
 SAME WING AND TAIL GROUP.

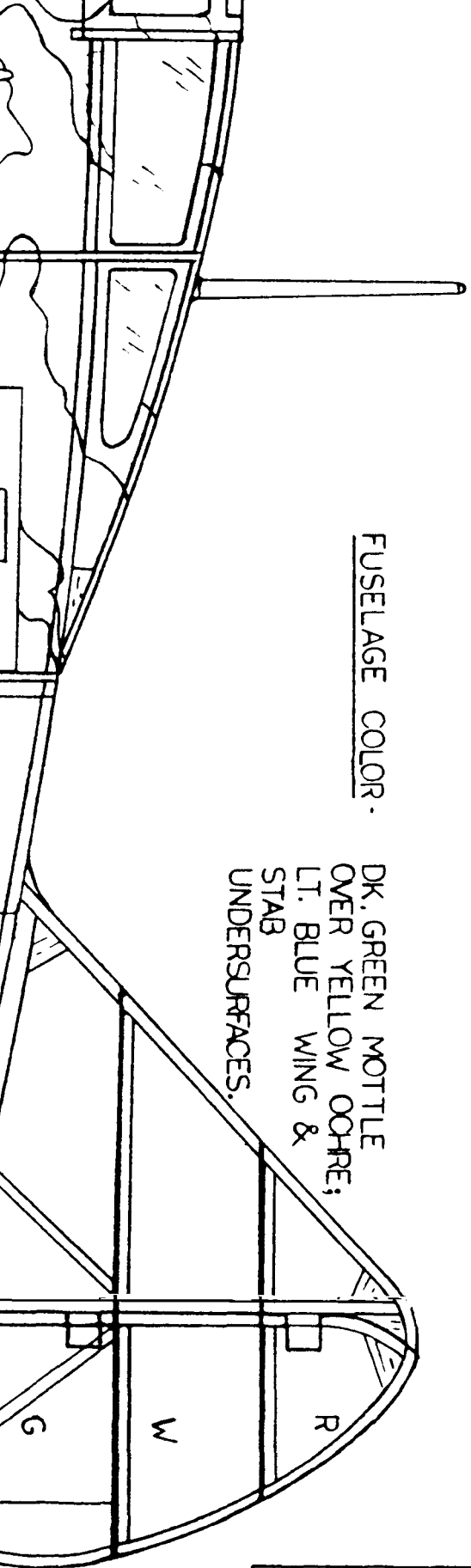


2000
 WING

* THIS PLAN IS PRINTED

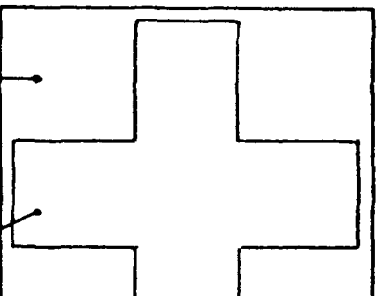
FUSELAGE COLOR -

DK. GREEN MOTTLE
 OVER YELLOW OCHRE;
 LT. BLUE WING &
 STAB
 UNDERSURFACES.



BLACK

WHITE



- 9.5" PECK, CUT DOWN
TO 9", LIGHTEN TO 3
GRAMS.
ER - 2 LOOPS 1/8" FAI
TAN II, 24.

1/16"
NEG.

REAR COCKPIT FAIRING
/ BOTTOM STRINGER

TRI-COLORED
STAB, TOP & BOT
(2000

1/16"
x
1/8"

1/16"

G

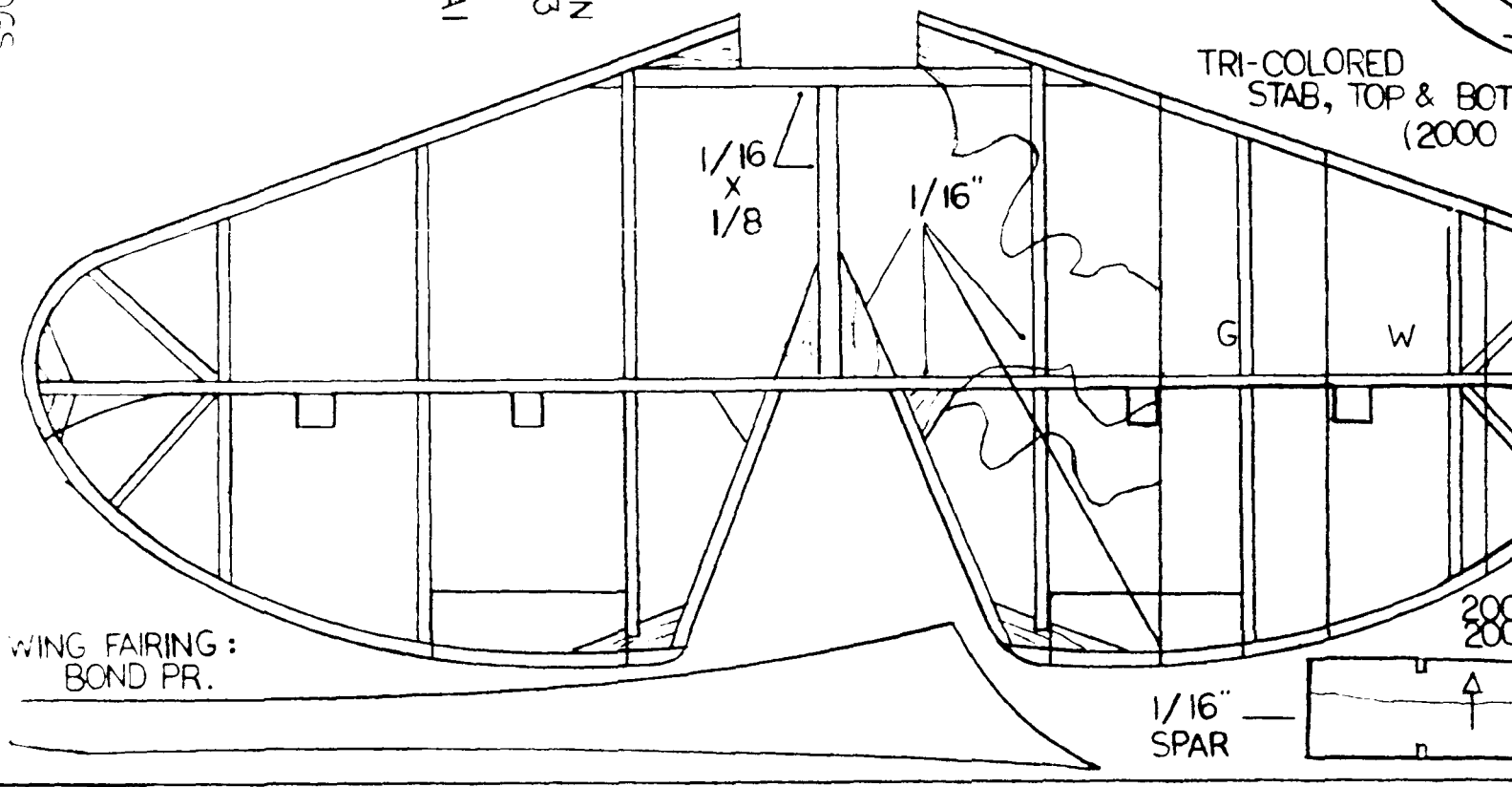
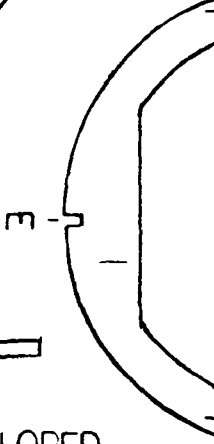
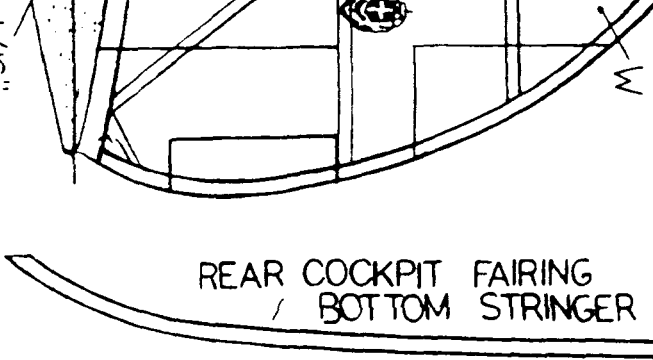
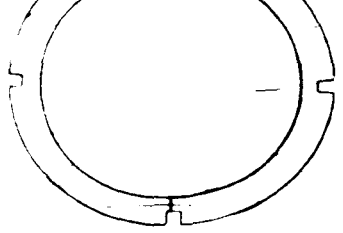
W

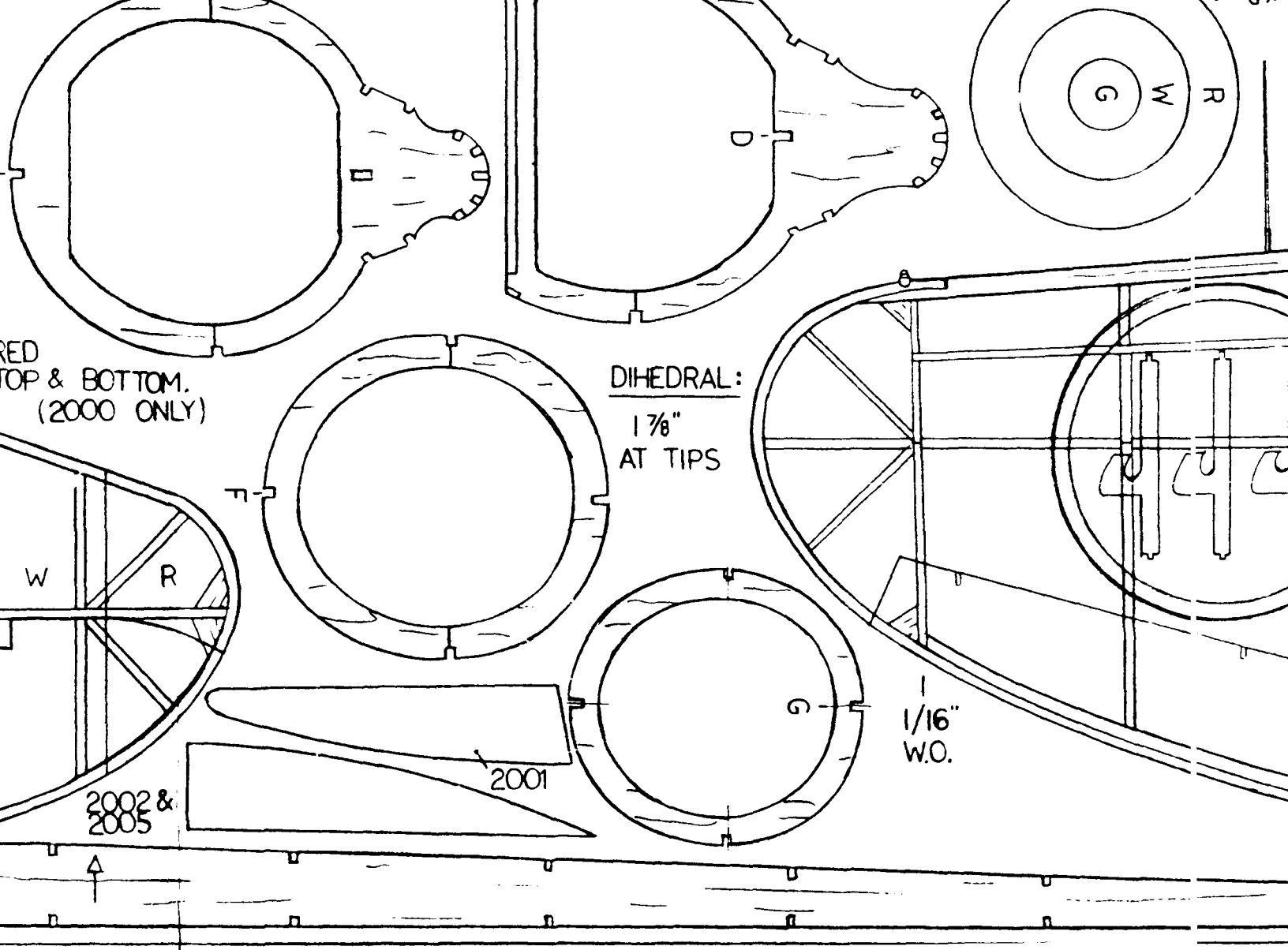
WING FAIRING :
BOND PR.

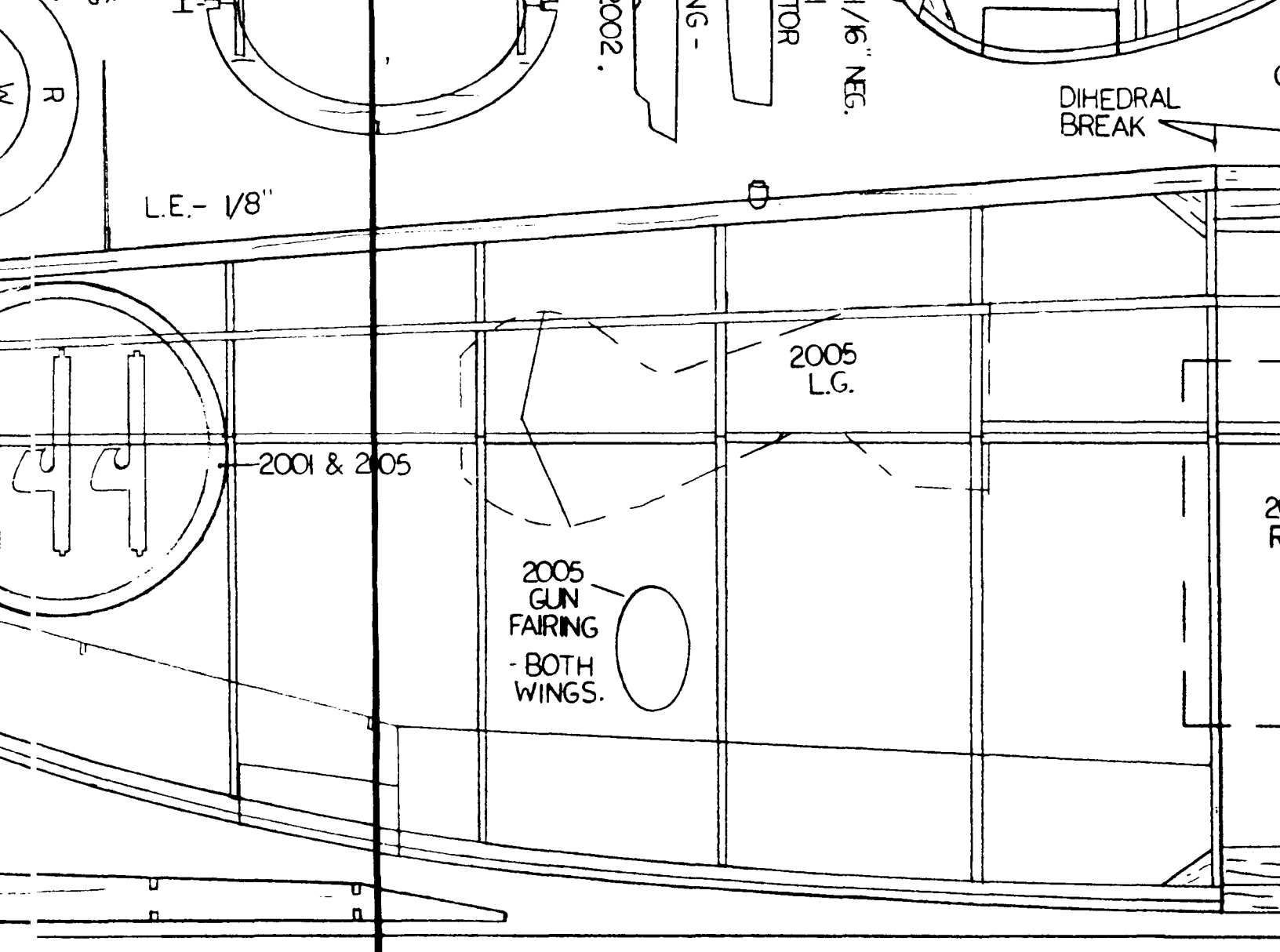
1/16"
SPAR

200
200

DGS







L.E. - 1/8"

2001 & 2005

2005
GUN
FAIRING
- BOTH
WINGS.

2005
L.G.

DIHEDRAL
BREAK

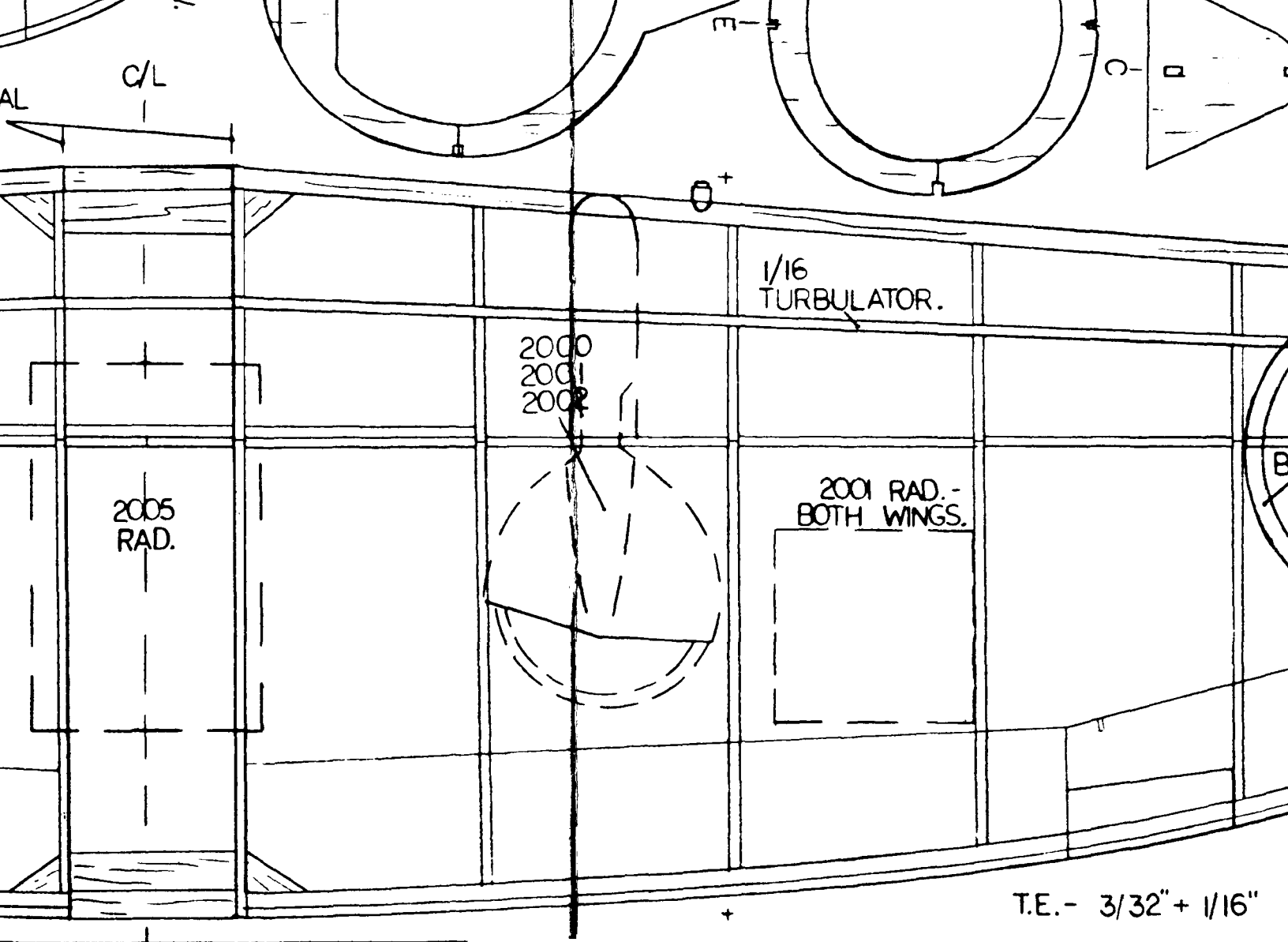
2002.

NG -

TOR

1/16" NEG.

2005



C/L

AL

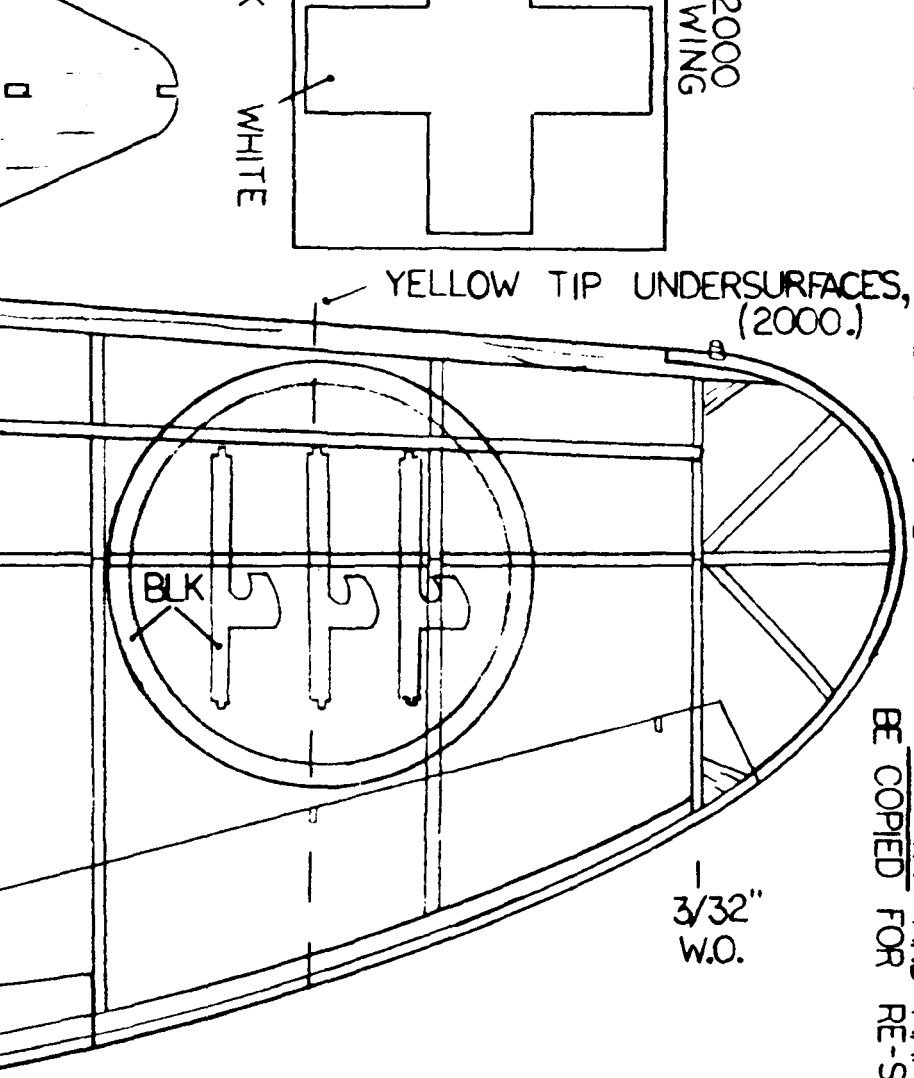
1/16
TURBULATOR.

2000
2001
2002

2005
RAD.

2001 RAD. -
BOTH WINGS.

T.E. - 3/32" + 1/16"



2000
WING

WHITE

YELLOW TIP UNDERSURFACES,
(2000.)

3/32"
W.O.

+ 1/16"

IS PRINTED WITH THE JAN./FEB. ISSUE OF MAX-FAX AND MAY NOT
BE COPIED FOR RE-SALE!

©