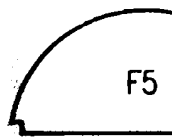
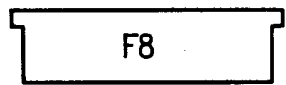


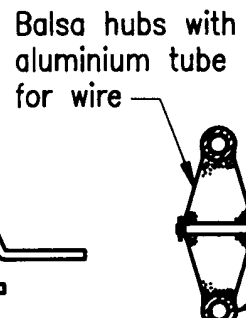
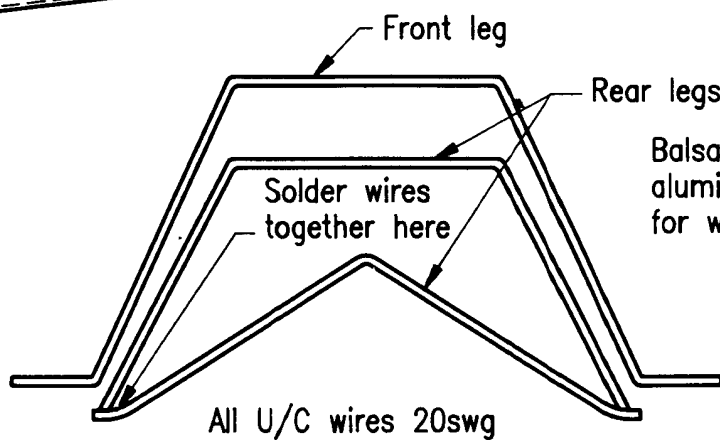
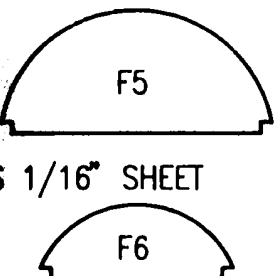
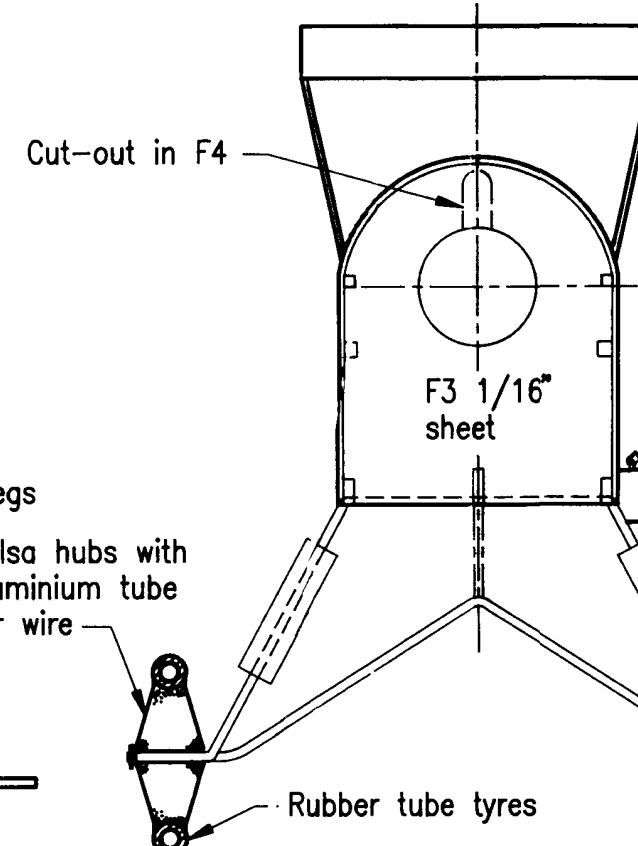
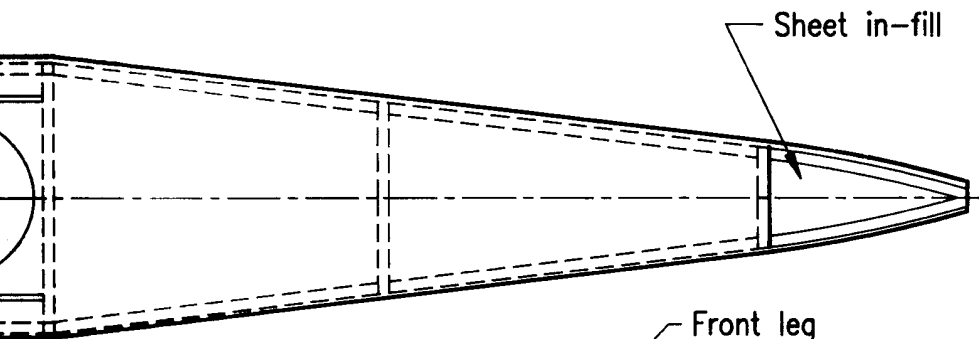
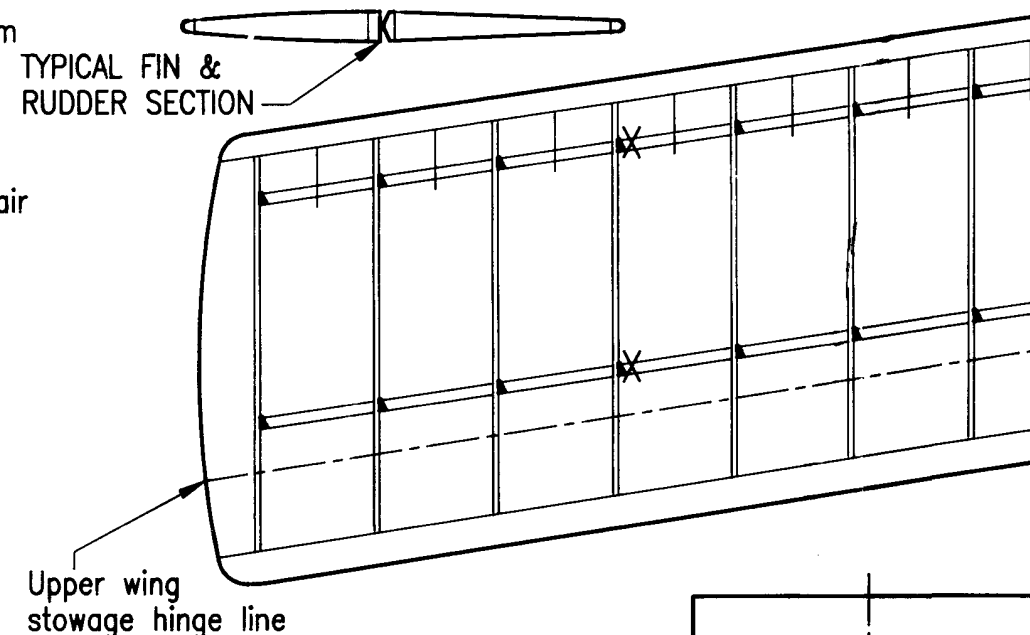
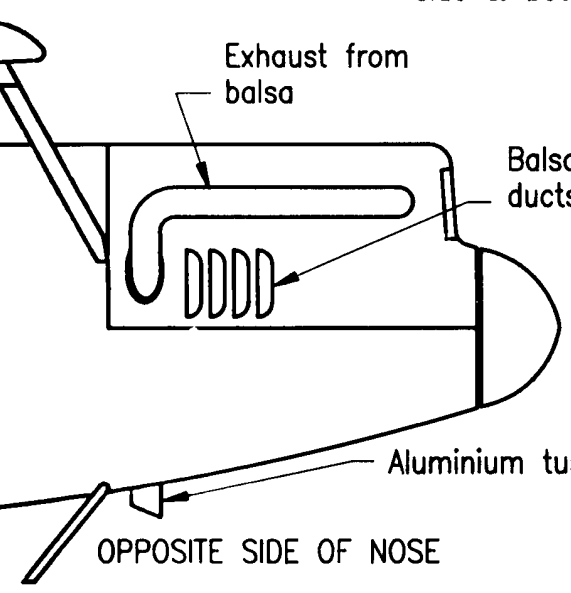
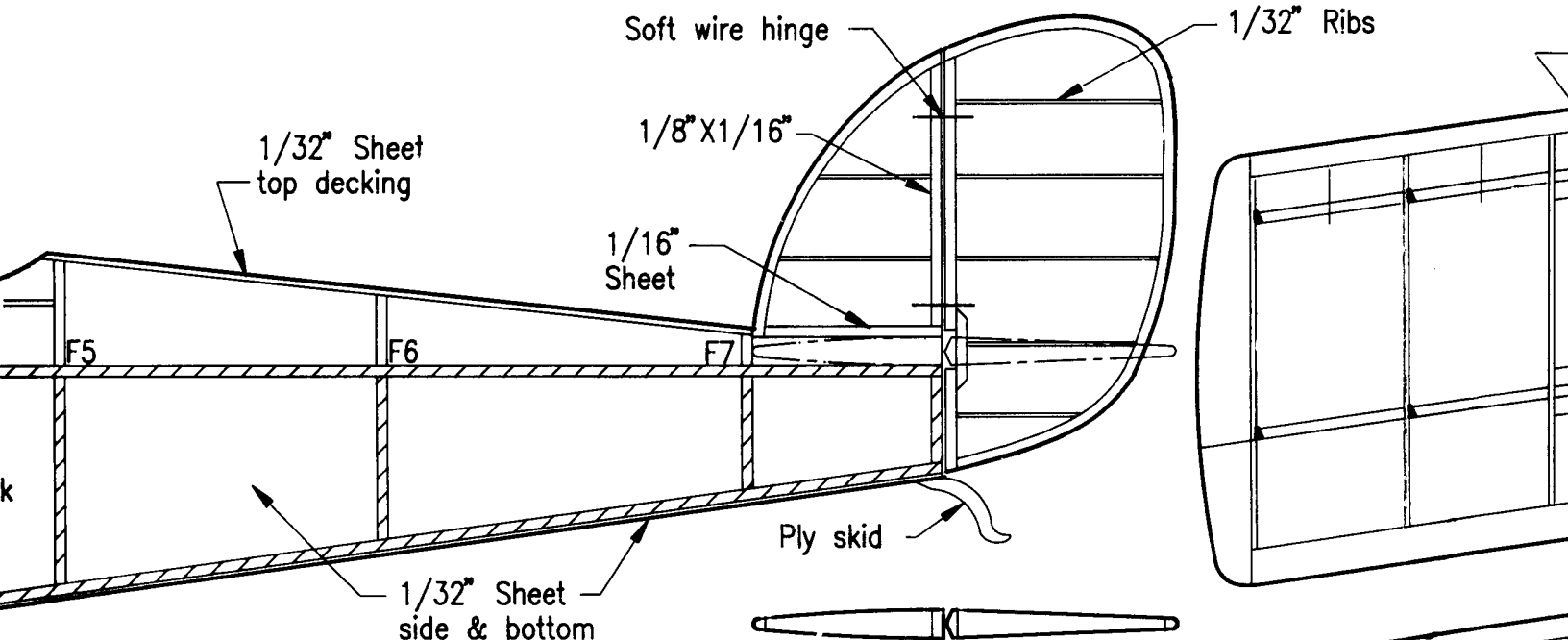
# PARNALL ELF

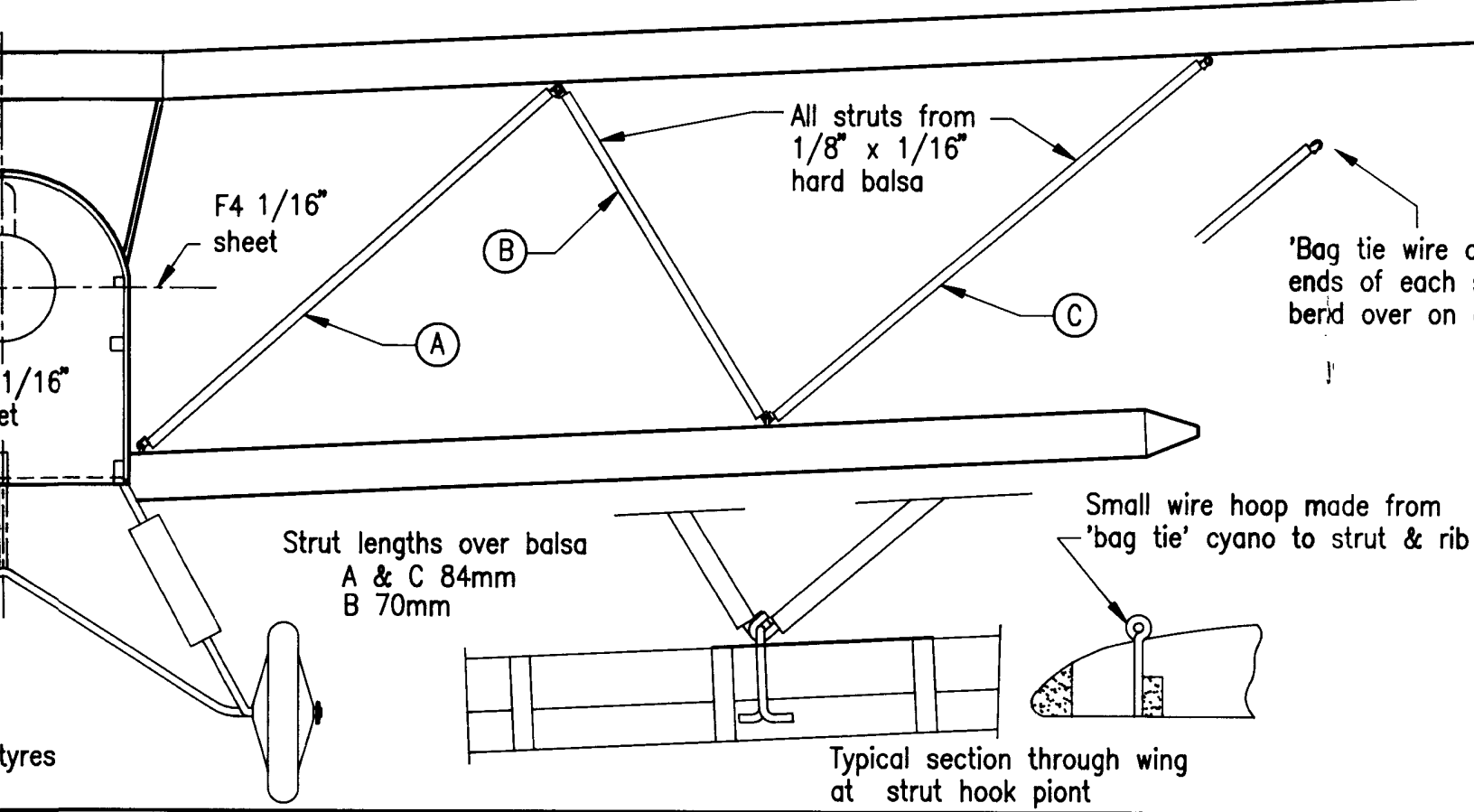
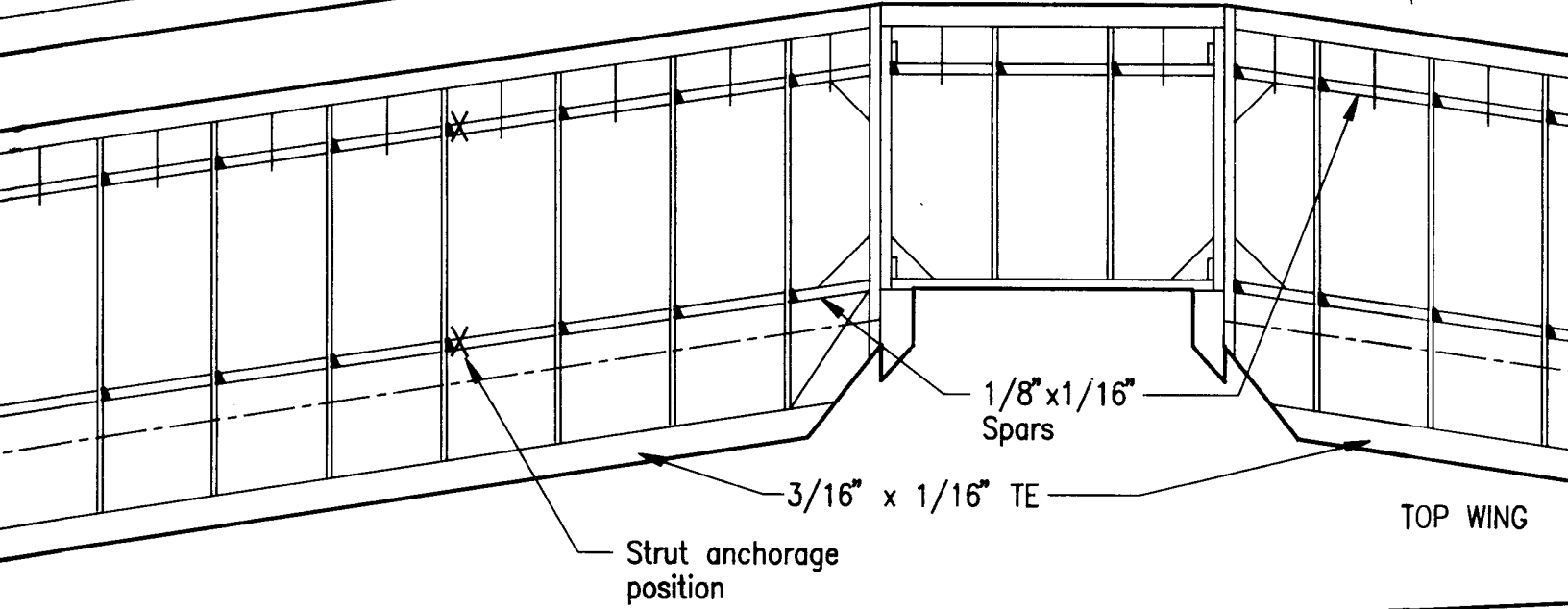
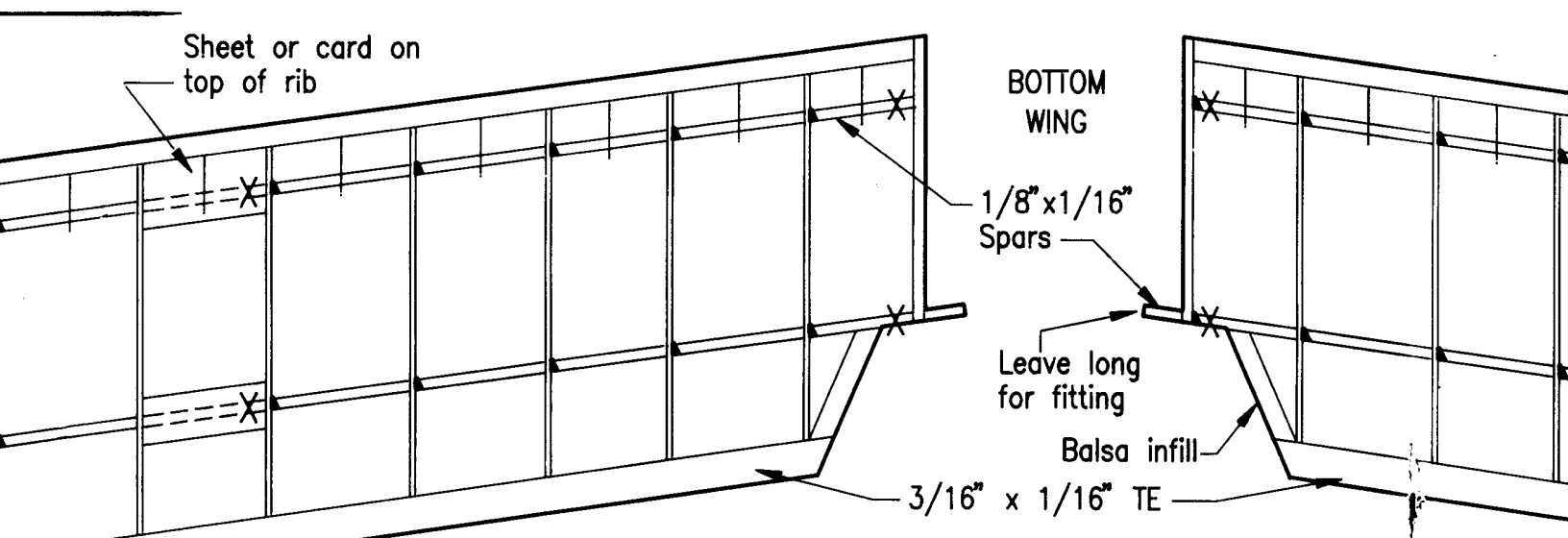
476mm SPAN F/F SCALE FOR CO2 OR ELECTRIC  
 DESIGNED & DRAWN BY J.H.WATTERS



ALL FORMERS 1/16" SH







1/8" Sq LE

UNLESS STATED OTHERWISE ALL WOODS ARE BALSA

Dihedral 8mm at rib

1/16" Sheet tips

Lower wing stowage hinge line

Dihedral 9mm at rib

TOP WING

Riblet line

All ribs 1/32" sheet

g tie wire cyano into  
s of each strut and  
d over on assembly

made from  
strut & rib

Bag tie wire  
hinge

3/32" Sq

1/32" ribs

1/16" Sheet tips

TYPICAL TAIL SECTION

Sheet in-fill

3/16"x1/16" spars

1/8"x1/16"

