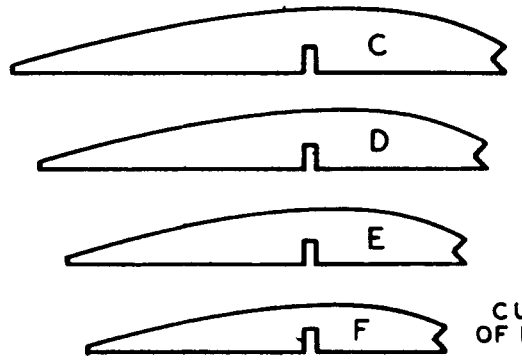


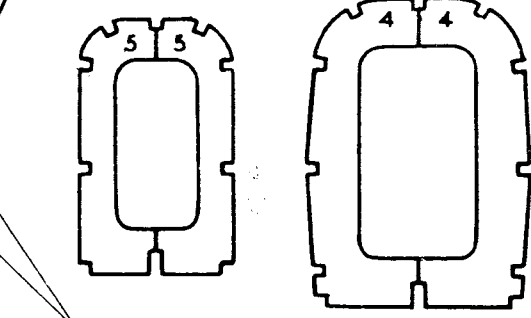
CUT ABOVE SHAPE FROM PLAN & STICK TO FORMERS 3 & 4.



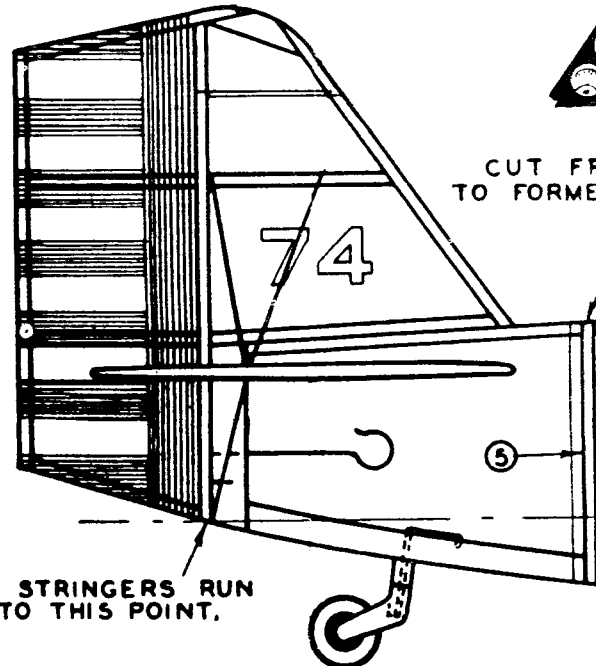
CUT TOP OF EACH

3/8" X 1/2" HEADREST BLOCK

VENTURI TUBE



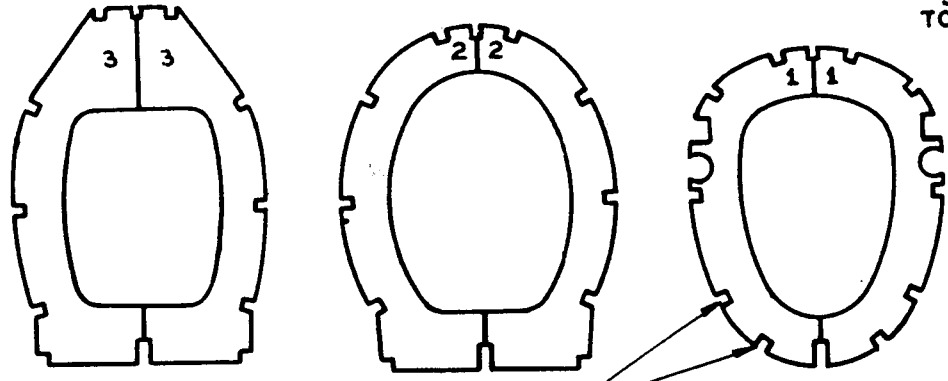
1/16" SQ. Balsa



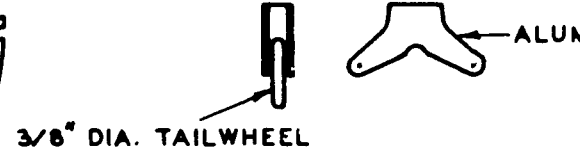
CUT FROM 1/16"

STRINGERS RUN TO THIS POINT.

CUT BOTTOM BACKBONE STRIP FROM Balsa SHEET FOUND IN KIT.



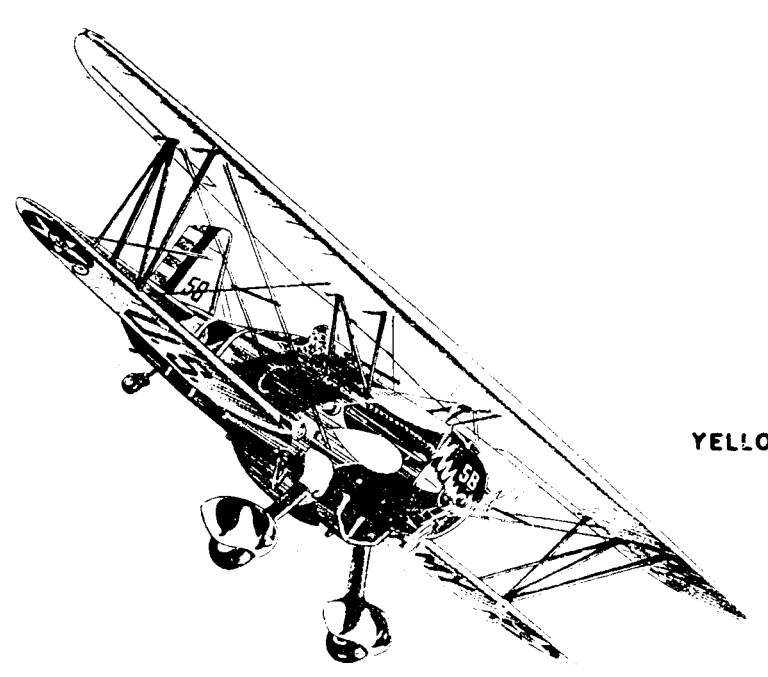
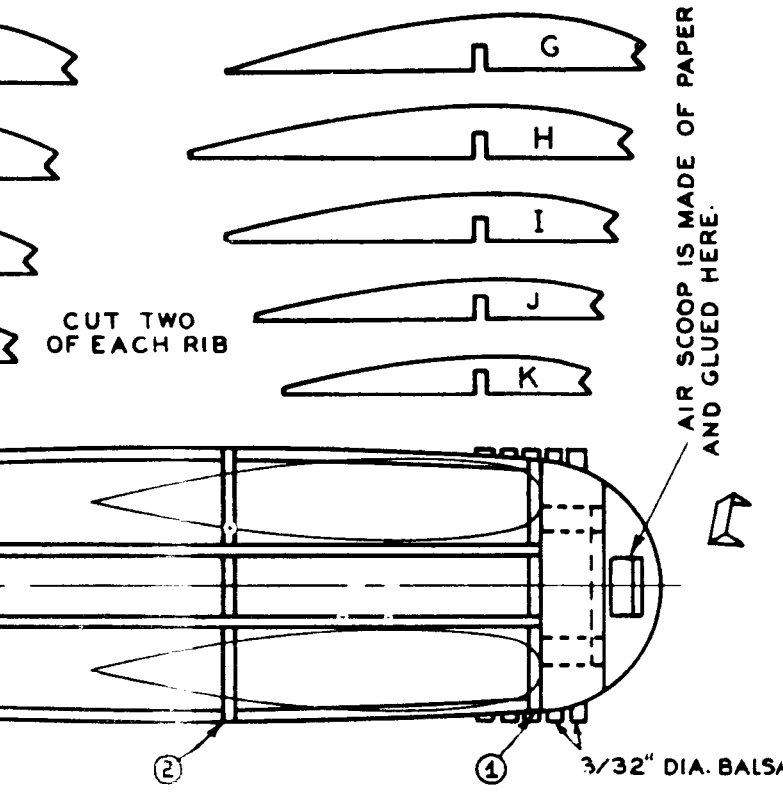
1/16" SQ. STRINGERS FIT INTO NOTCHES



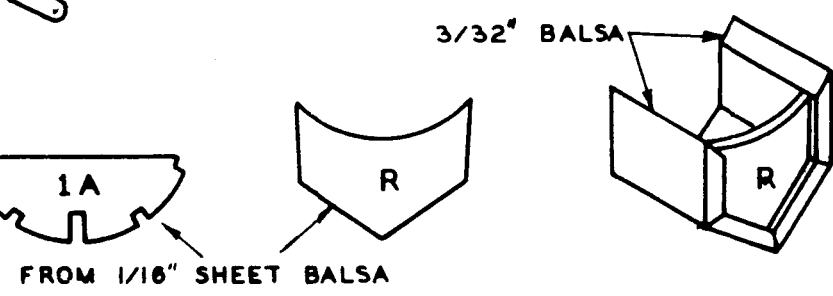
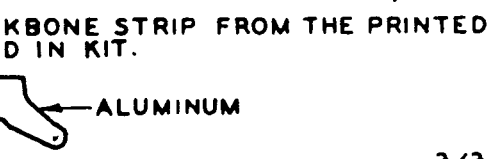
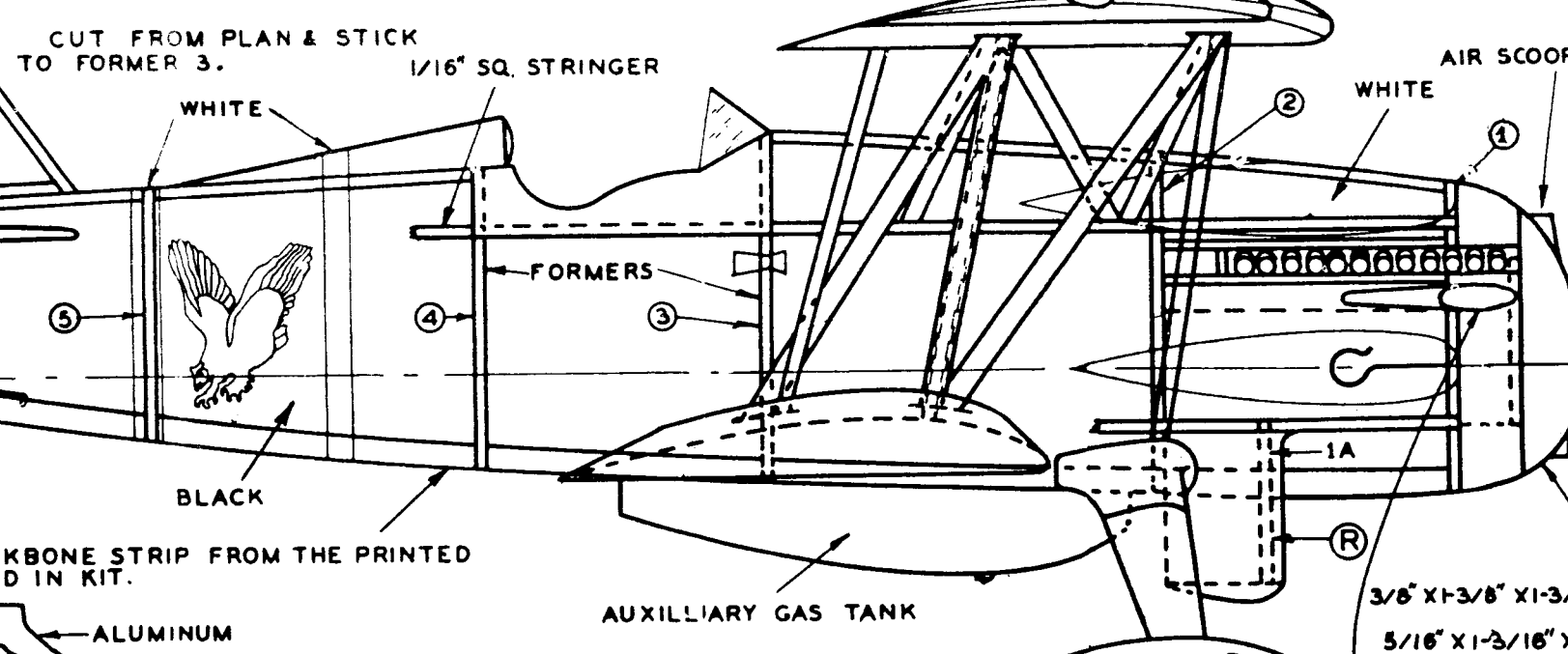
3/8" DIA. TAILWHEEL

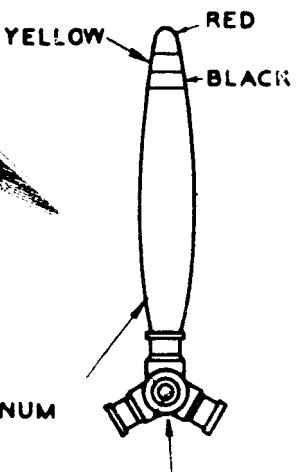


CUT FROM 1/16"

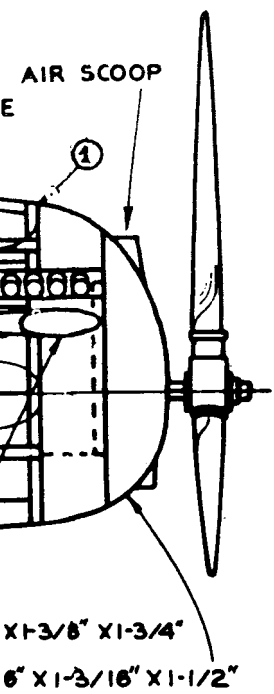


EXHIBITION USE A 5" PROP FOR FLYING





EXHIBITION PROP
A 5" PROPELLER
FLYING

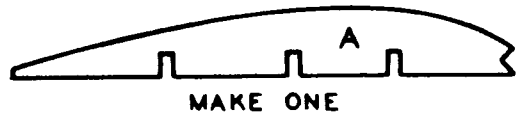
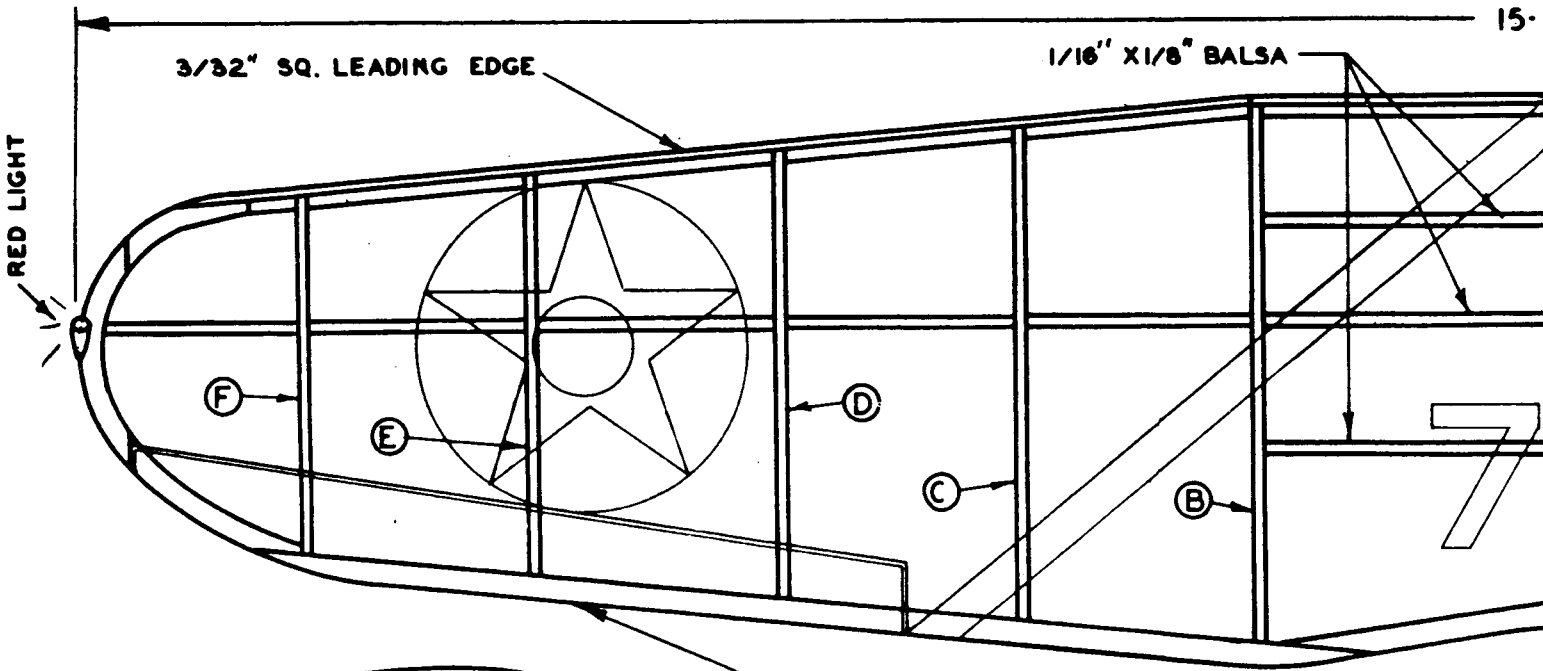


MACHINE GUN TUBES
MADE OF SODA STRAW

WHEEL

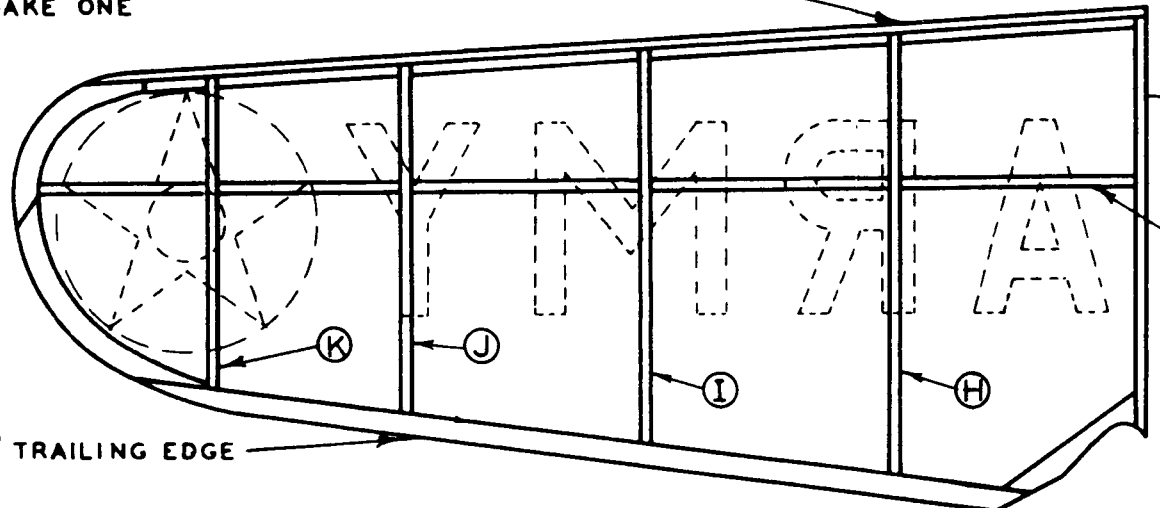
1/16" SQ. STRINGERS FIT INTO NOTCHES

1A
CUT FROM 1/16"



1/16" X 1/8" TRAILING EDGE
3/32" SQ. LEADING EDGE

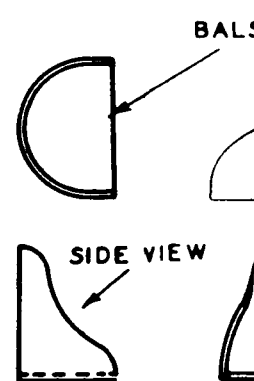
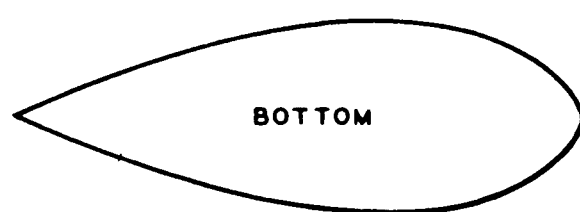
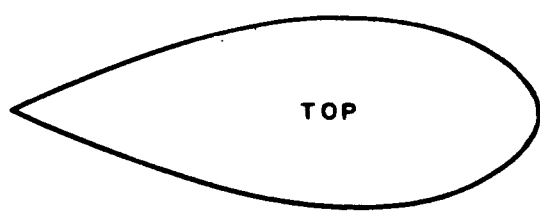
LEADING EDGE IS SANDED ROUND AS SHOWN ABOVE.



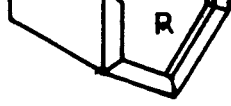
MAKE 2 SIDES OF 1/16" Balsa



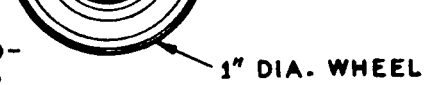
CUT TWO SIDES FROM 1/16" SHEET Balsa. NOW MOISTEN THEM AND BEND TO SHAPE BY HOLDING AGAINST A LIGHTED ELECTRIC LIGHT BULB.



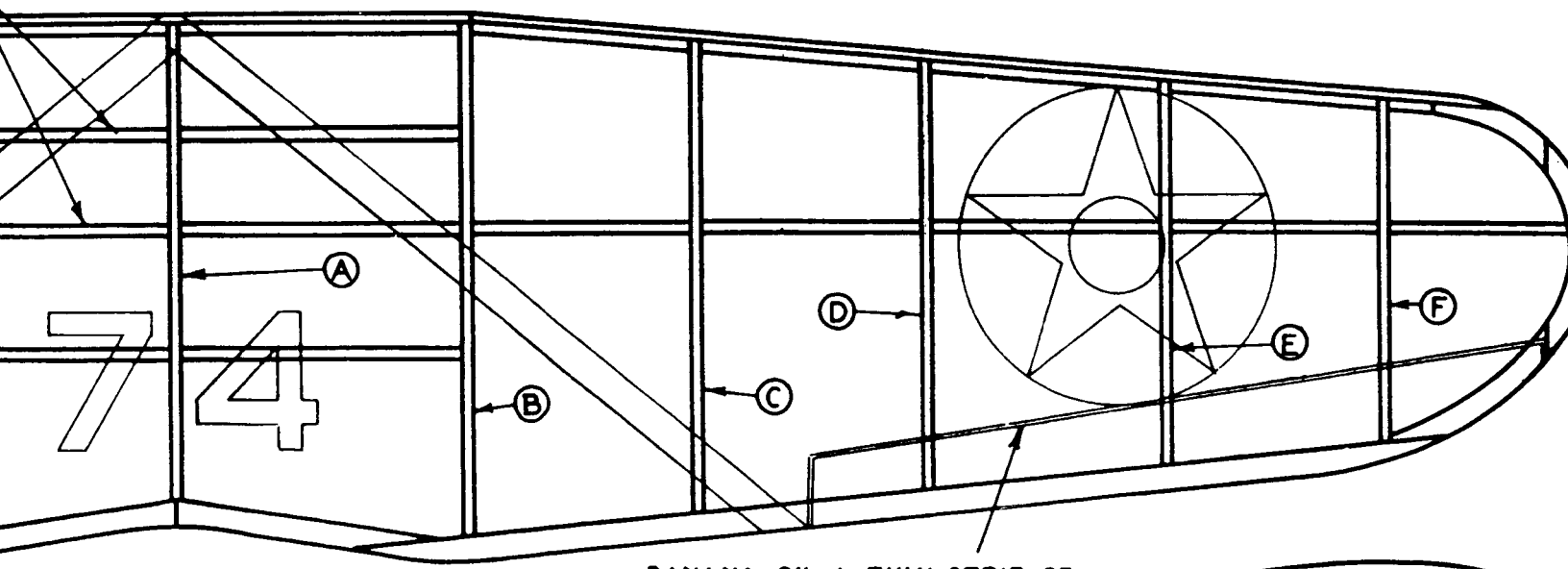
CUT FROM PLAN AND CEMENT TO THE TWO CURVED Balsa SIDE PIECES.



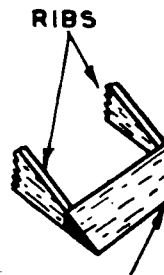
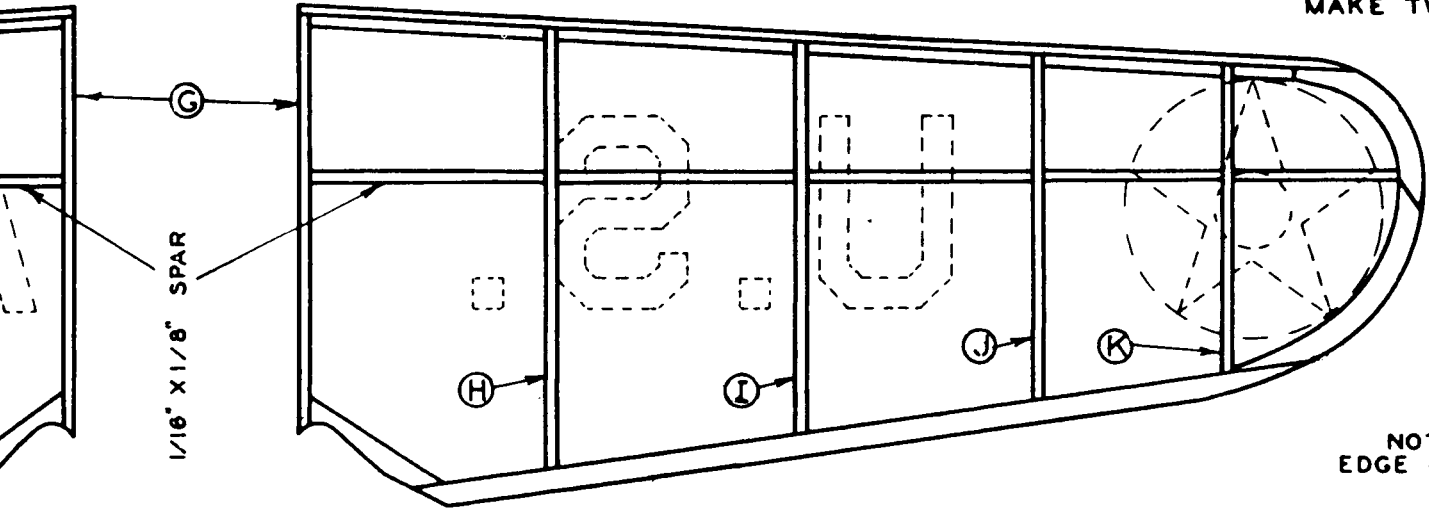
CONSTRUCT RAD-IATOR AS SHOWN. SAND ALL EDGES ROUND AND CEMENT TO FORMERS 1A AND 2.



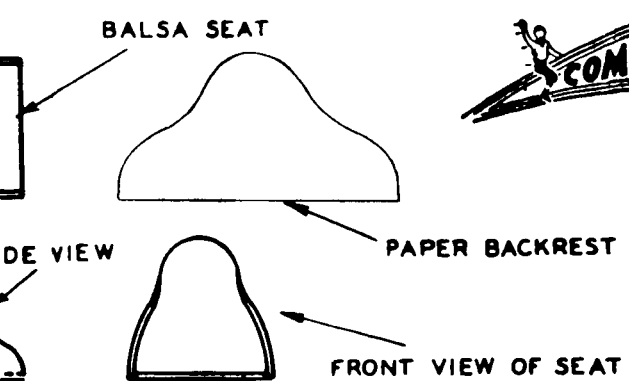
15-1/2"



BANANA OIL A THIN STRIP OF BLACK TISSUE HERE TO SHOW UP AILERON.

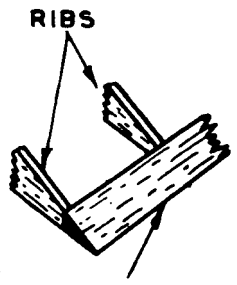
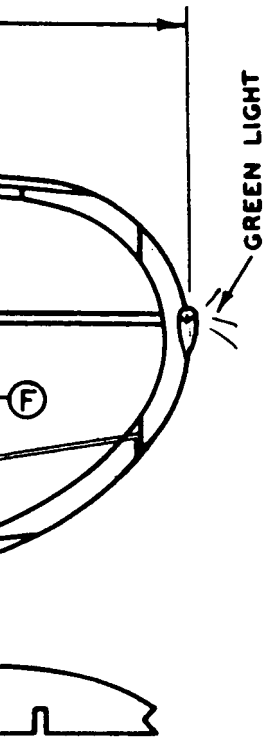


NOTE HOW TRAILING EDGE IS TAPERED.



U.S. ARMY CURTISS HAW P-6E

WHEEL



HOW TRAILING
TAPERED.

Y
AWK