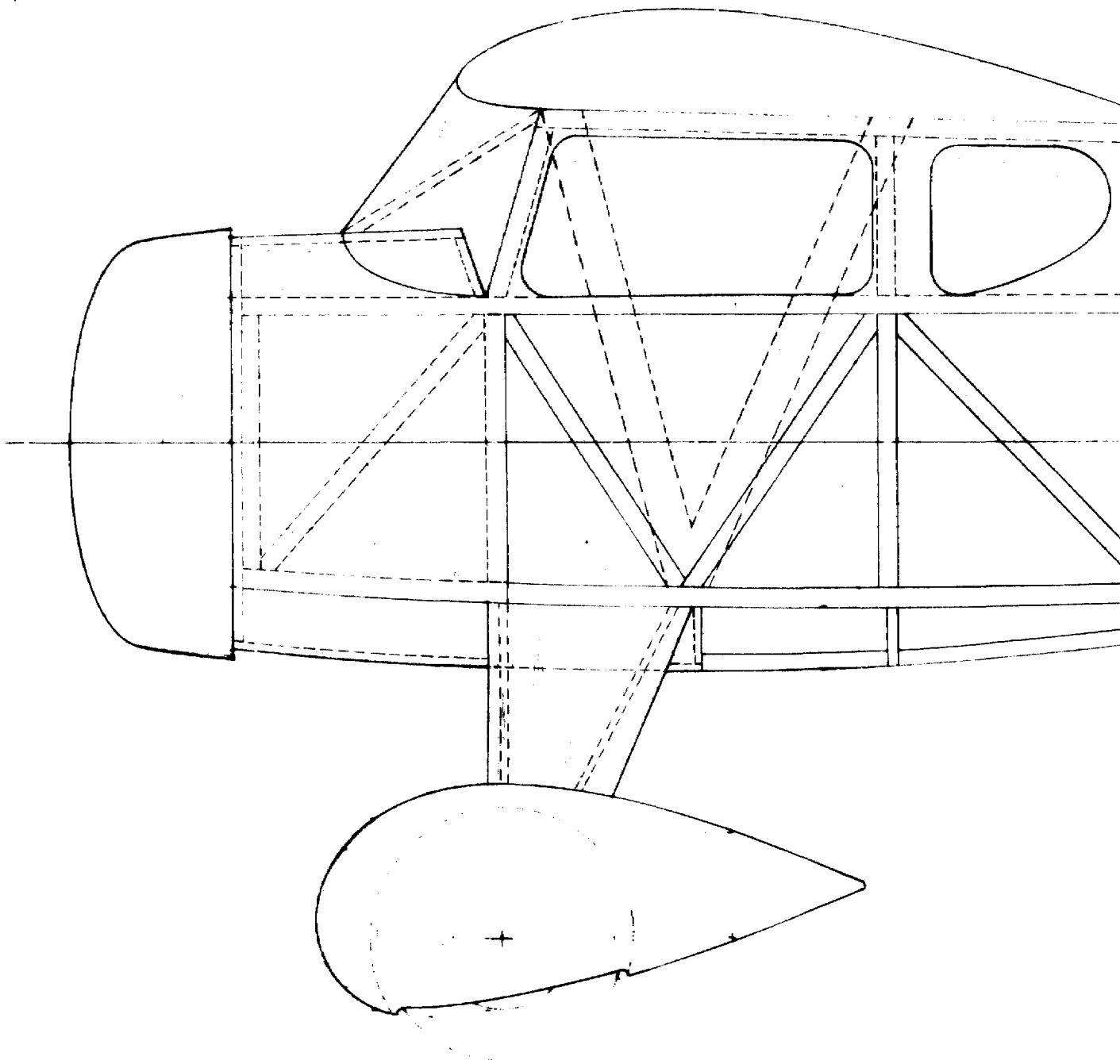


1

2

3

4

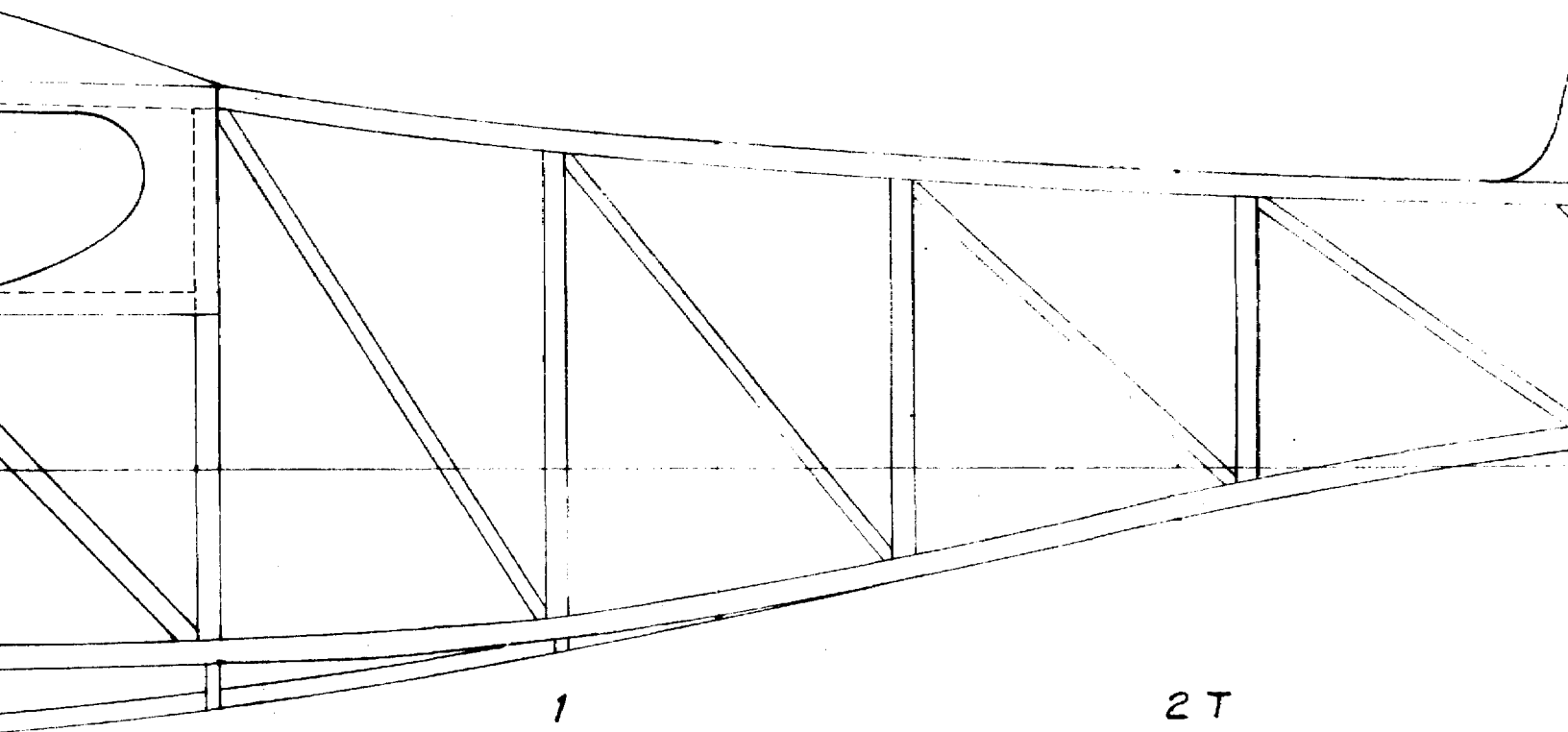


5

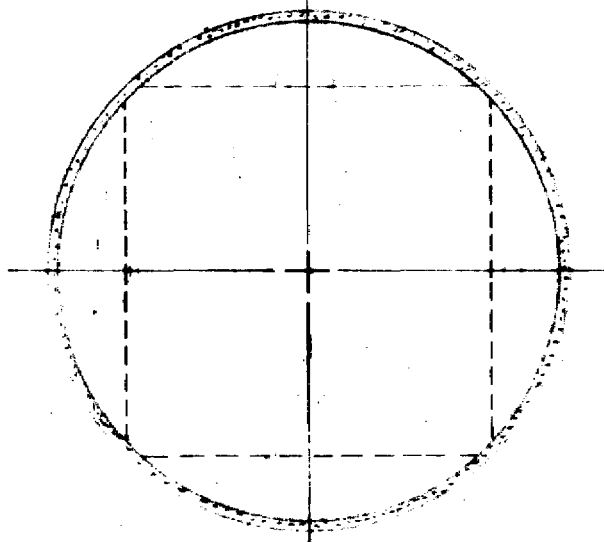
6

7

8



1



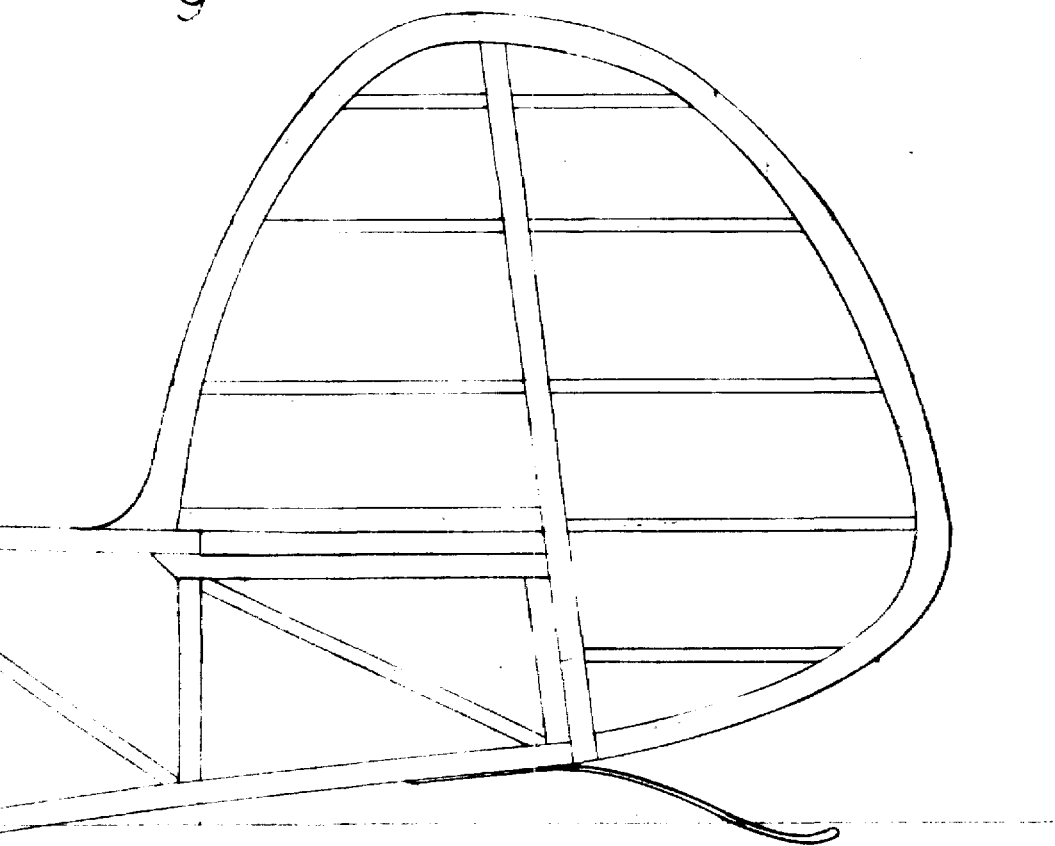
2T



283



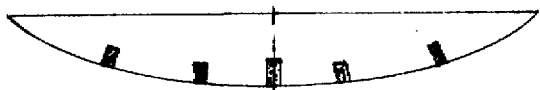
9



6



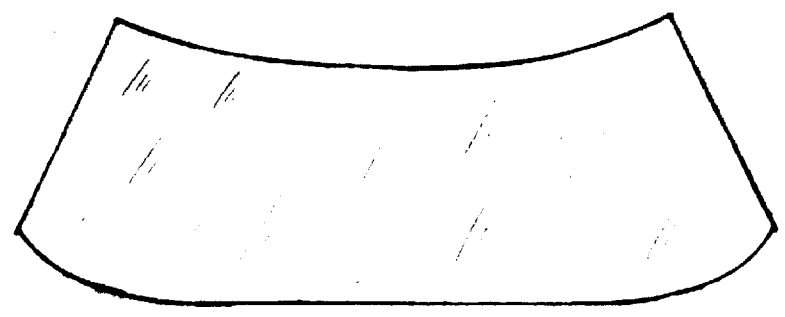
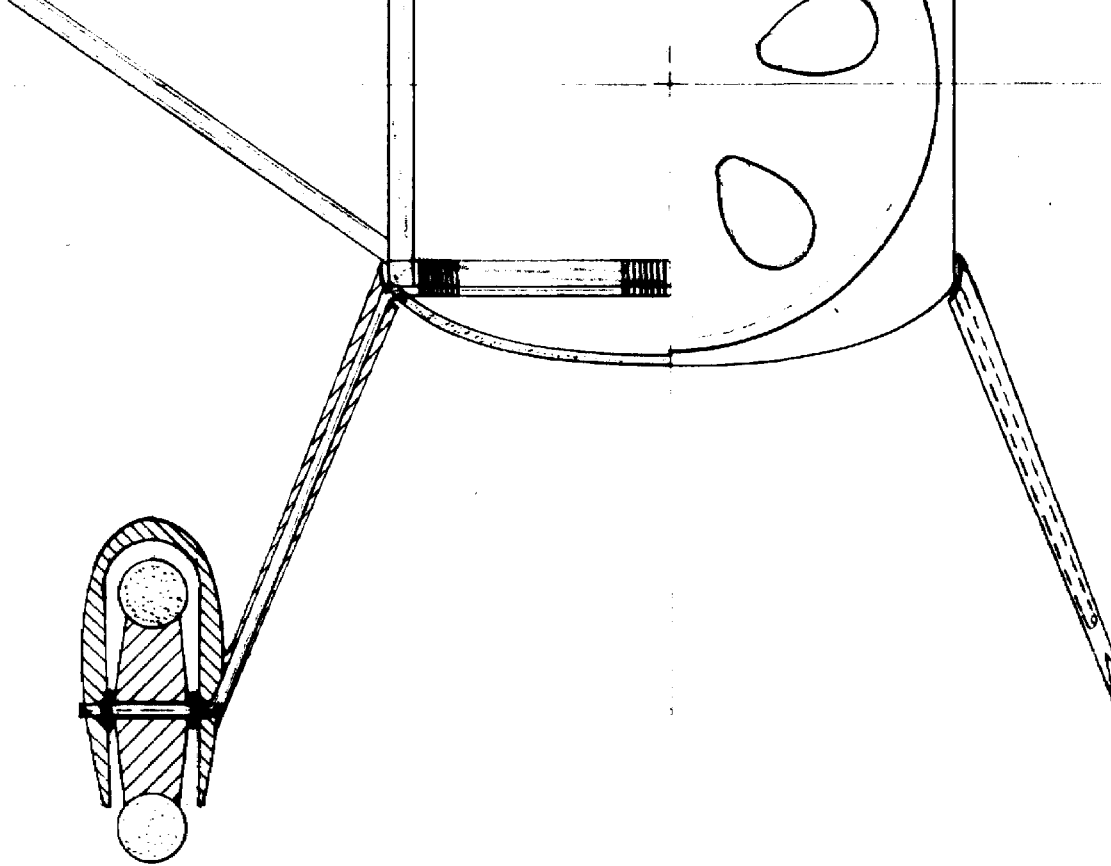
4



5



MO
30" W
BY: H.



MONOCOUCPE (1935)

30" WINGSPAN

BY: H.G. BOWERS,

OCT. '62