

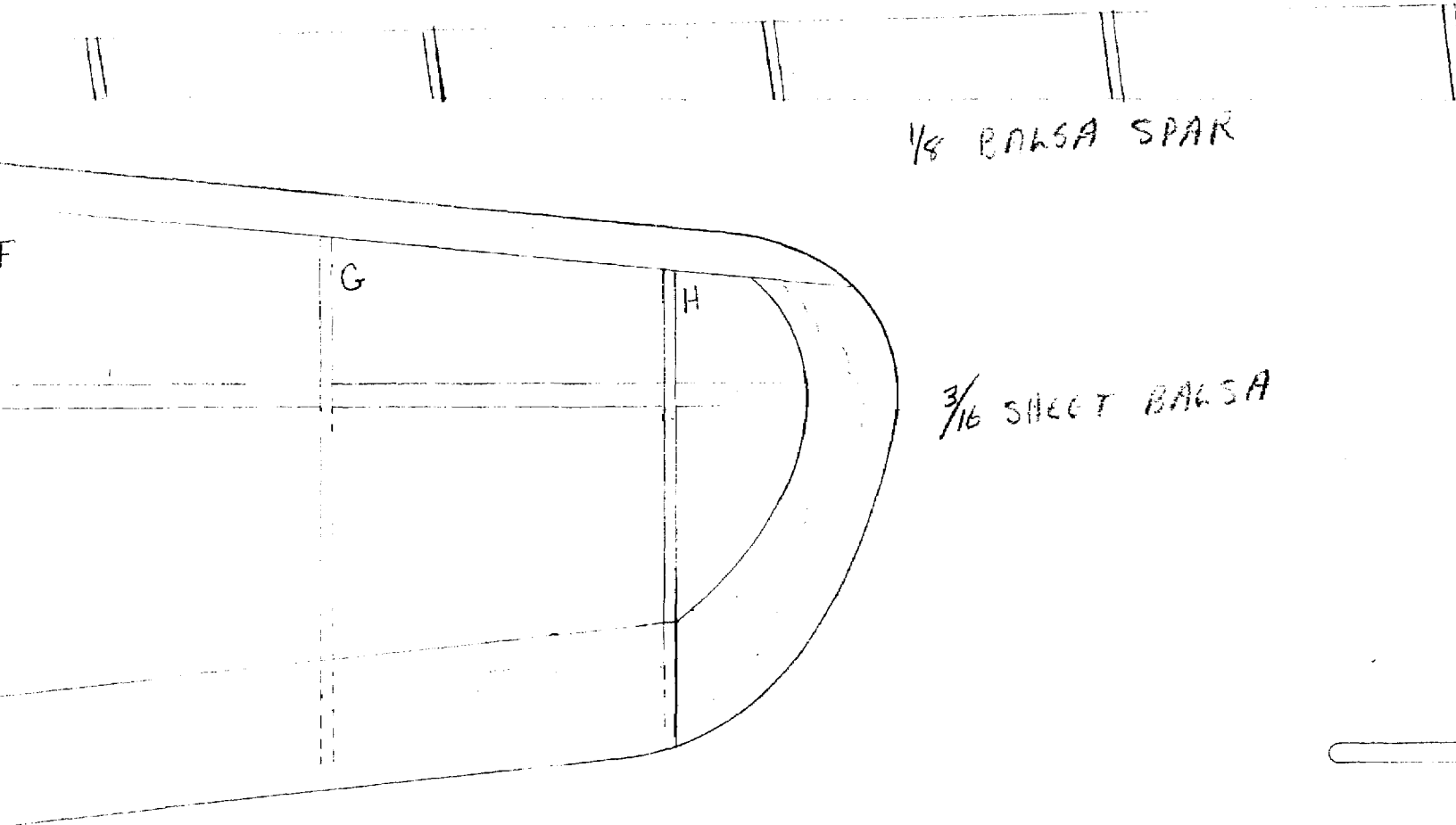
⊕

C

D

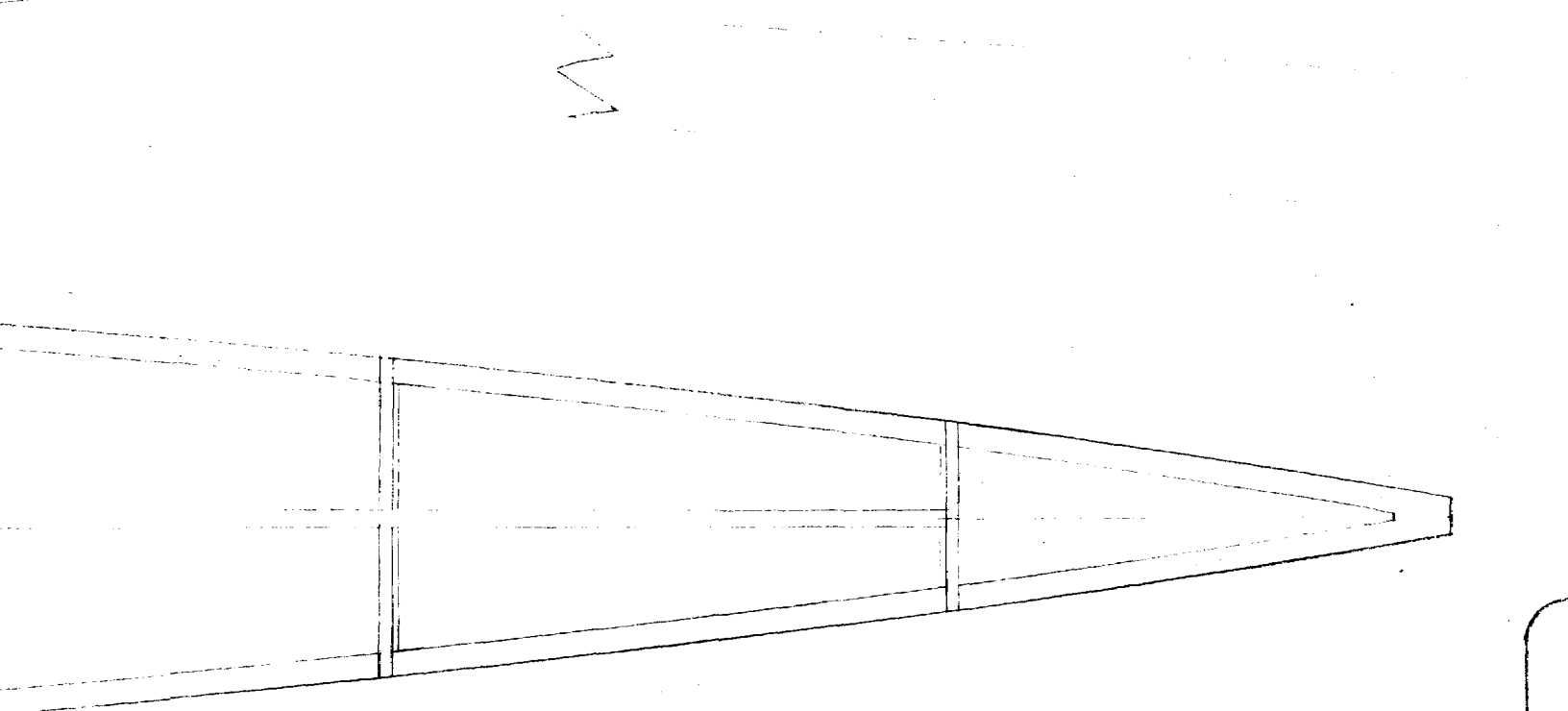
E

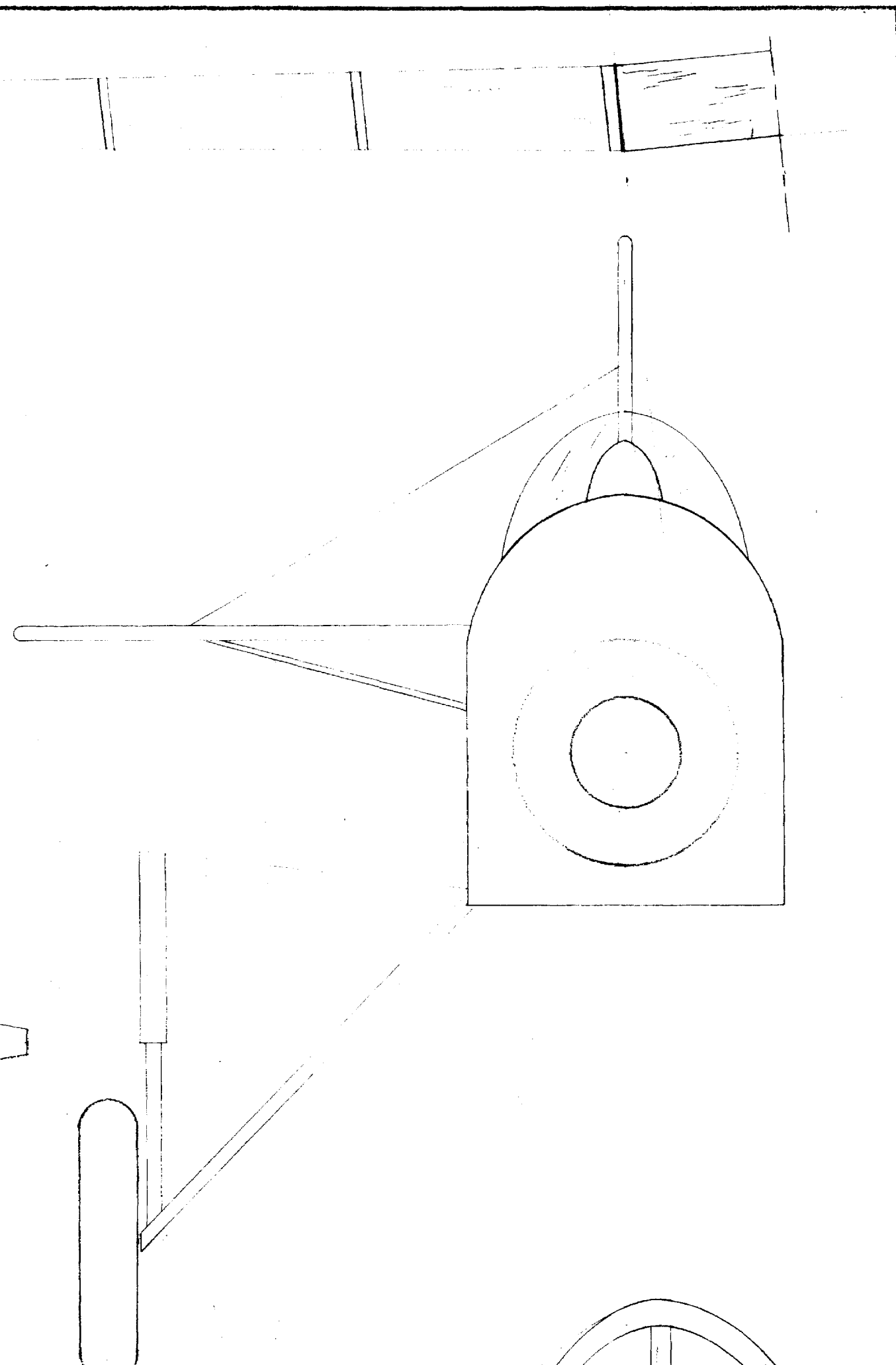
F

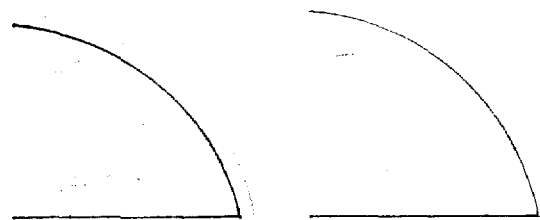


1/8 Balsa Spar

3/16 SHEET Balsa



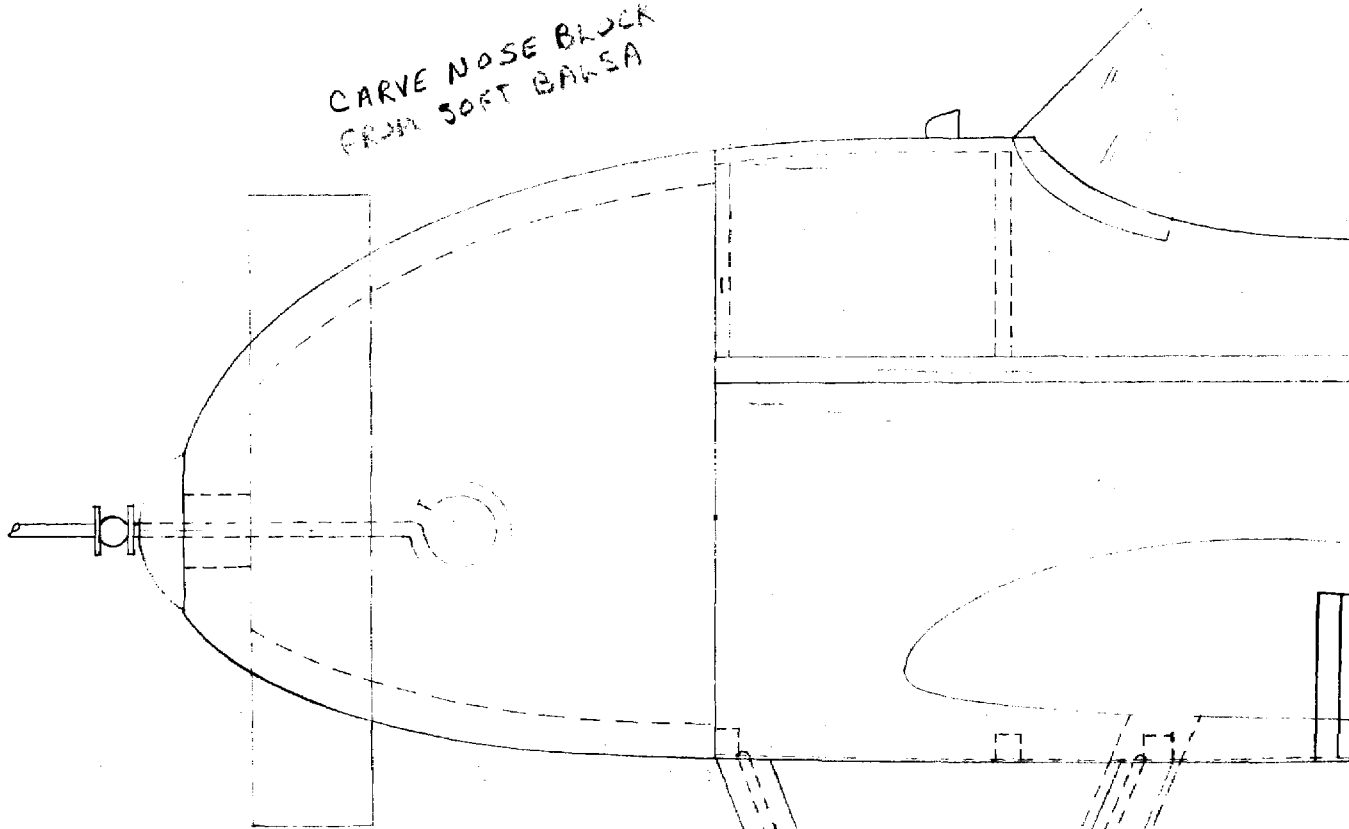




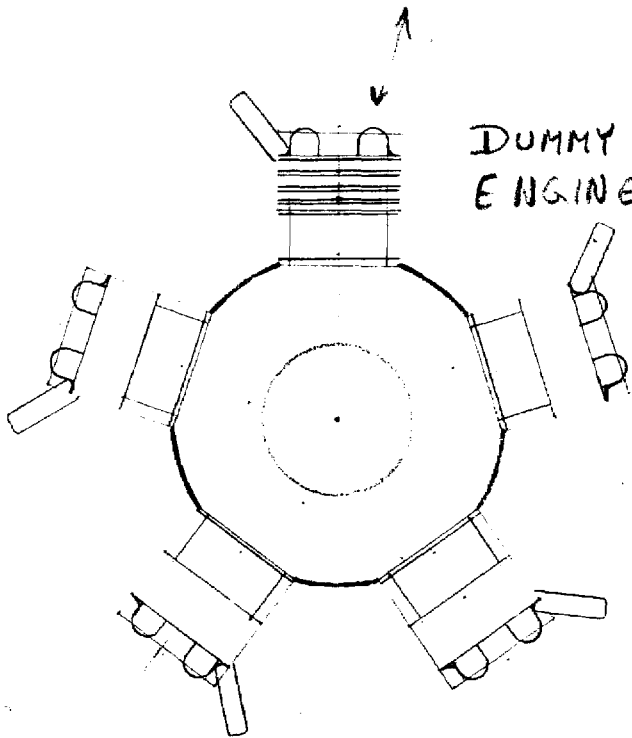
2

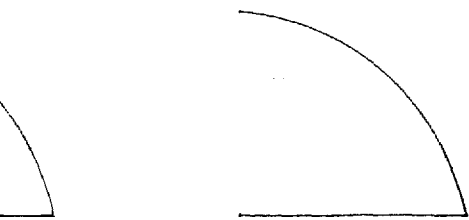
3

CARVE NOSE BLOCK
FROM SOFT Balsa

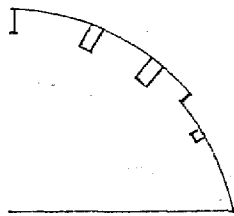


DUMMY "VELIE"
ENGINE

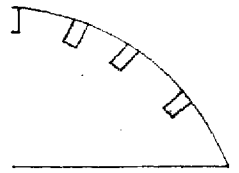




4

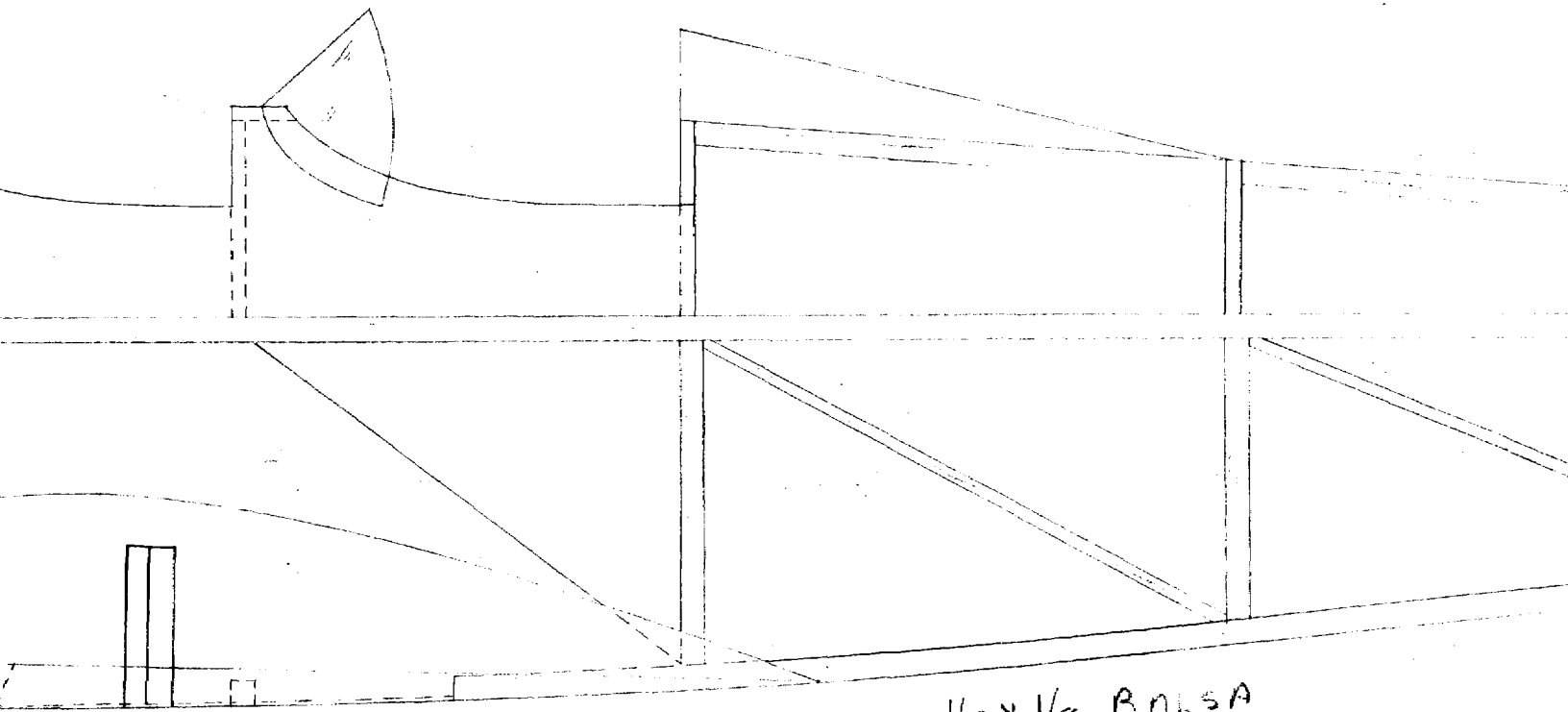


5

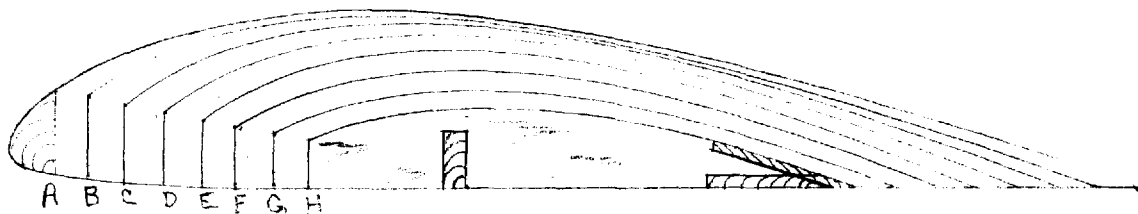


6

1/16 SHEET

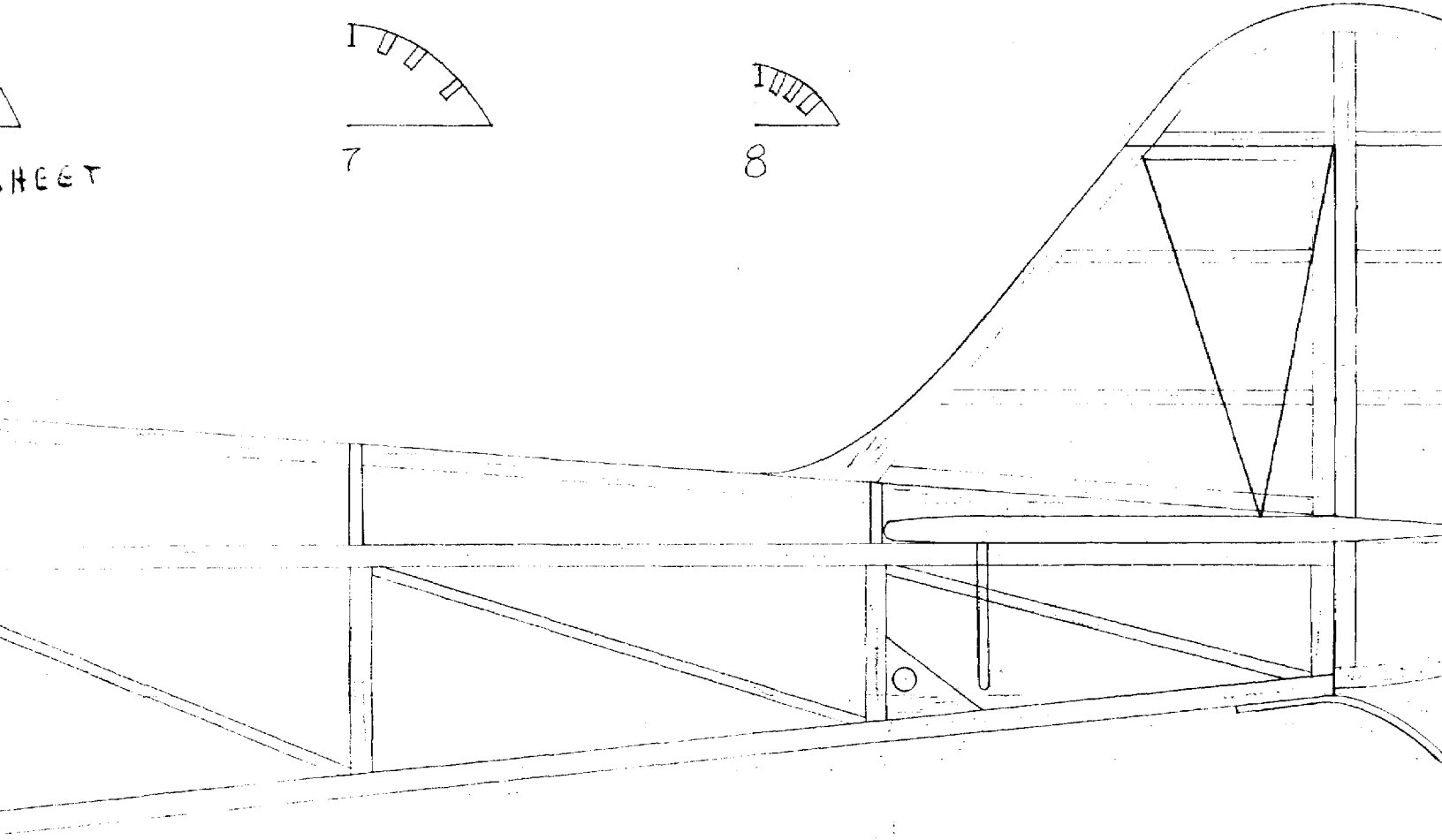
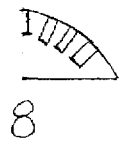
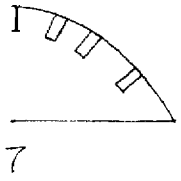


1/8 x 1/8 Balsa



Liscama "67N"

SHEET



MOHAWK "PINTO" (1928)

FREE FLIGHT SCALE, 33 1/4" SPAN

H.G. BOWERS, PARIS, MAY 1964

28

