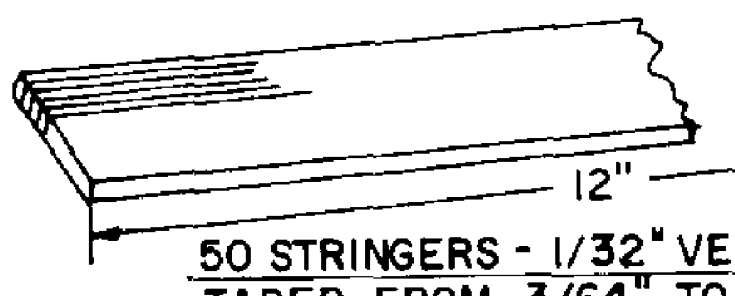
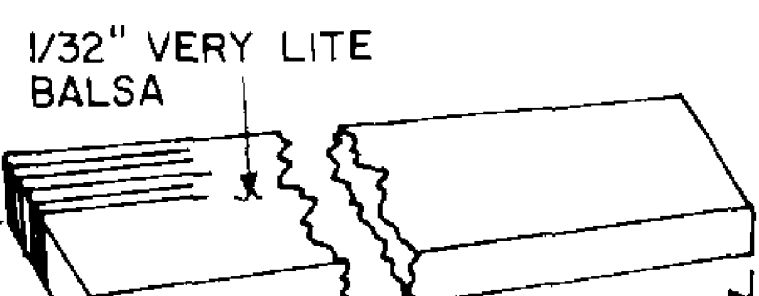
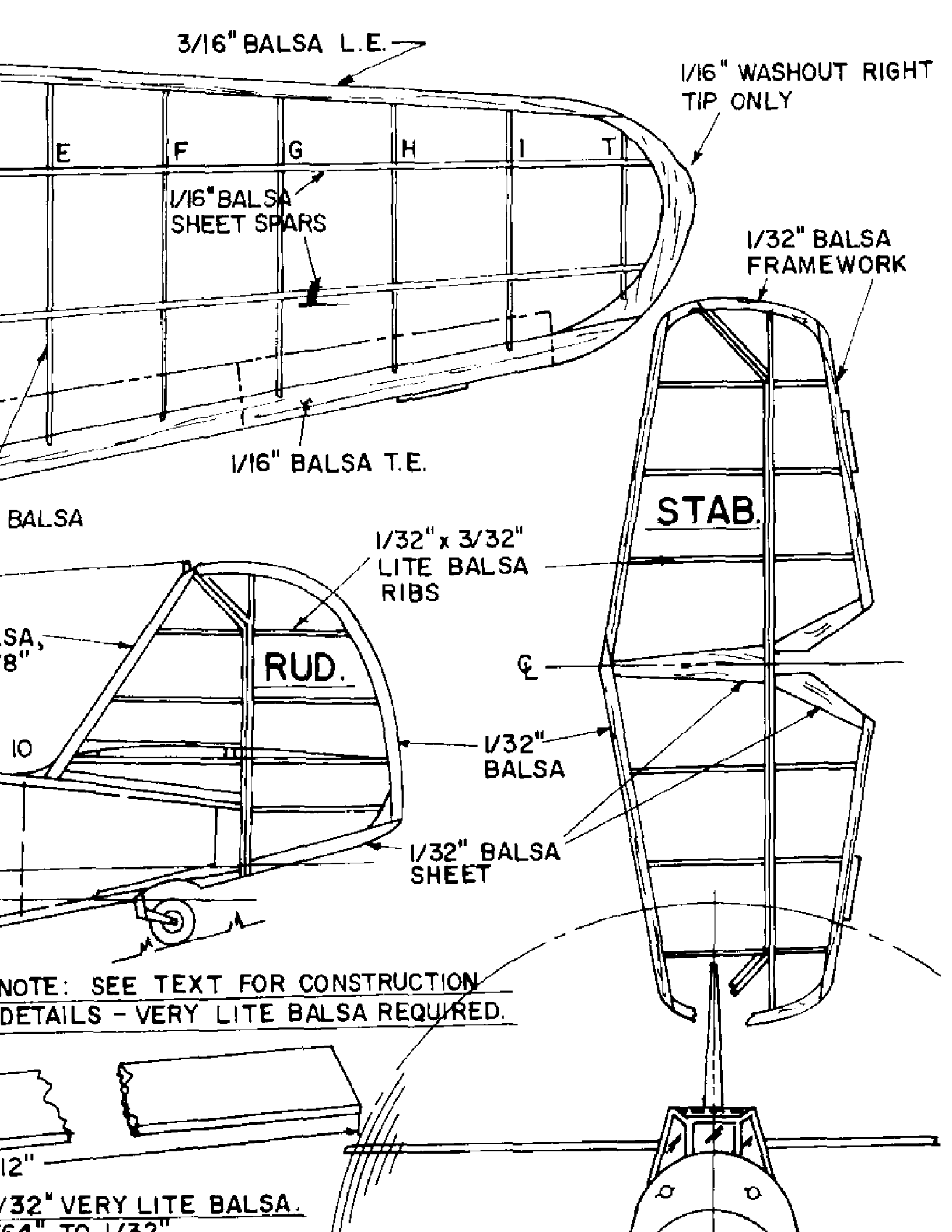


FUSELAGE SIDE VIEW

NOTE: SEE
DETAILS



50 STRINGERS - 1/32" VE
TAPERED FROM 3/64" TO



3/16" Balsa L.E.

1/16" WASHOUT RIGHT TIP ONLY

E F G H I T

1/16" Balsa SHEET SPARS

1/32" Balsa FRAMEWORK

1/16" Balsa T.E.

Balsa

1/32" x 3/32" LITE Balsa RIBS

STAB.

SA, 8"

RUD.

ϕ

10

1/32" Balsa

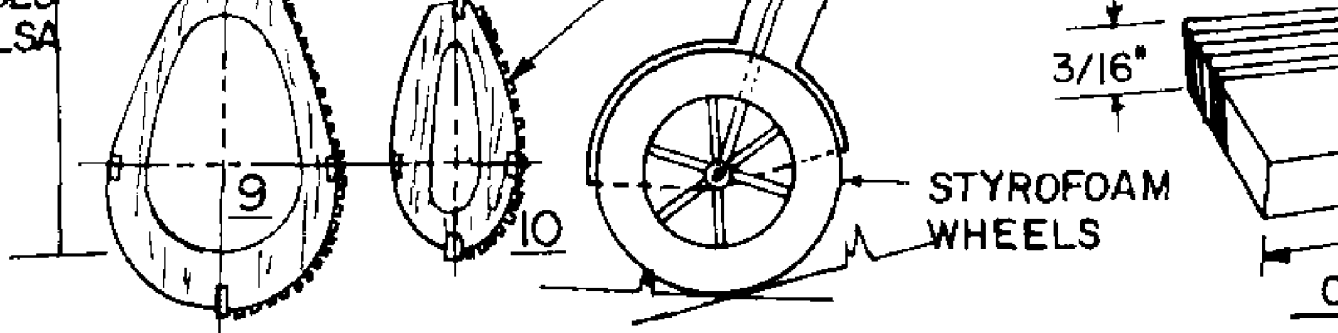
1/32" Balsa SHEET

NOTE: SEE TEXT FOR CONSTRUCTION DETAILS - VERY LITE Balsa REQUIRED.

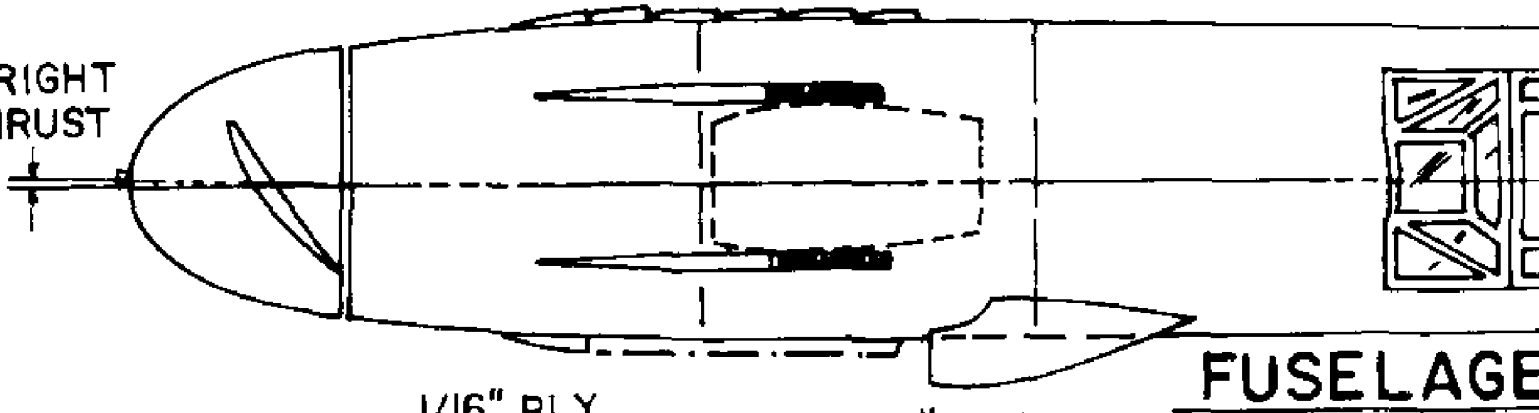
12"

1/32" VERY LITE Balsa. 64" TO 1/32"

DIA. 3 LEADED
OF HARD Balsa



1° RIGHT
THRUST



1/16" PLY

1/32" PLY

1/16" Balsa
SHEET

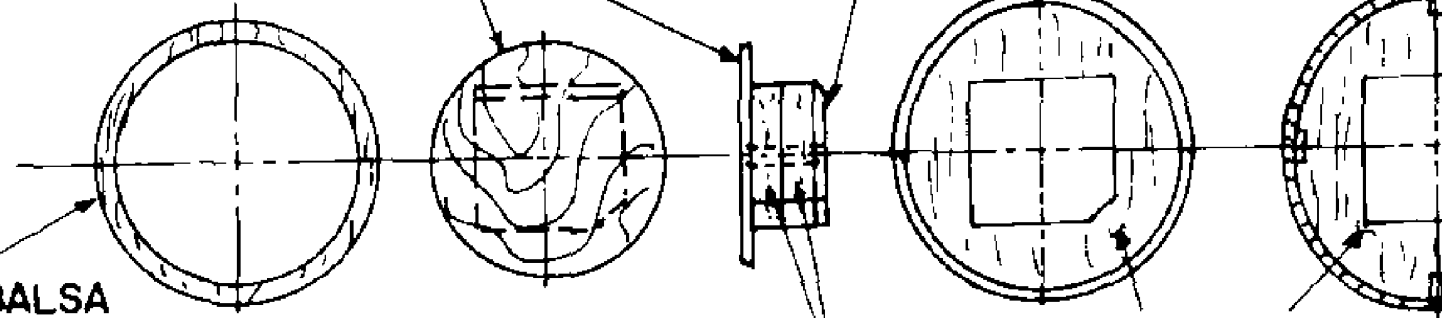
3/16" Balsa
SHEET

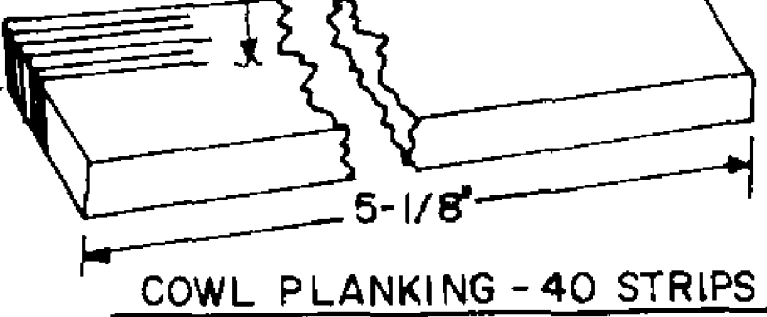
1

NOSE PLUG

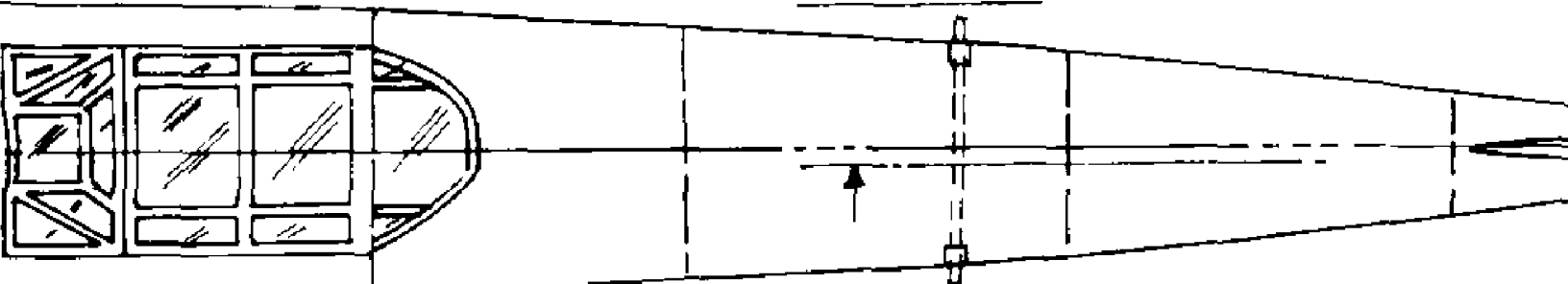
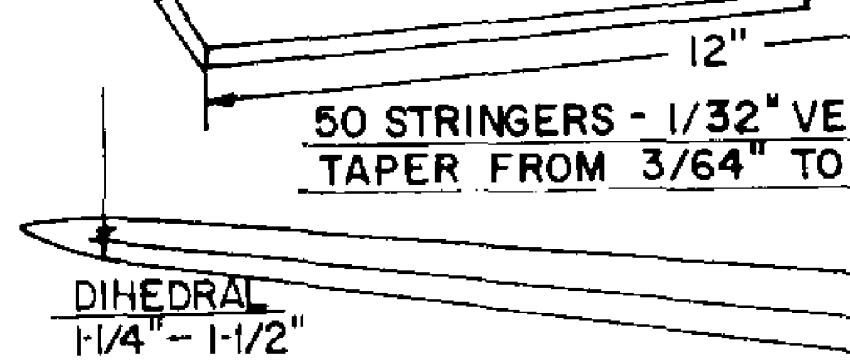
2

3



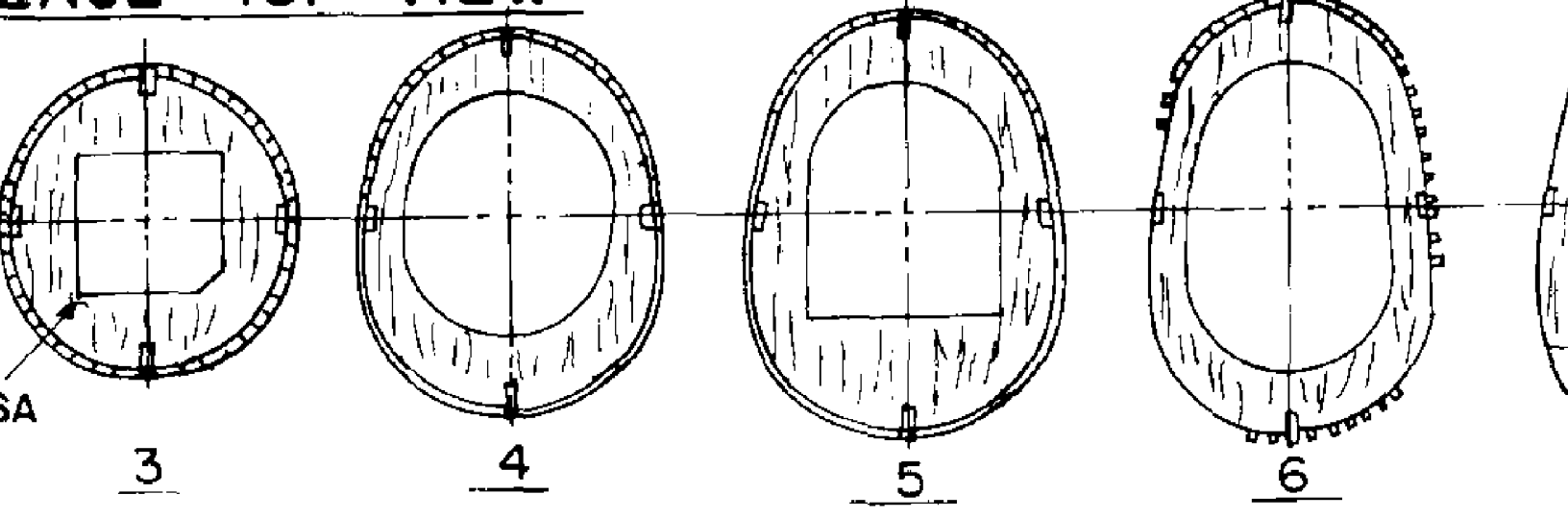


COWL PLANKING - 40 STRIPS

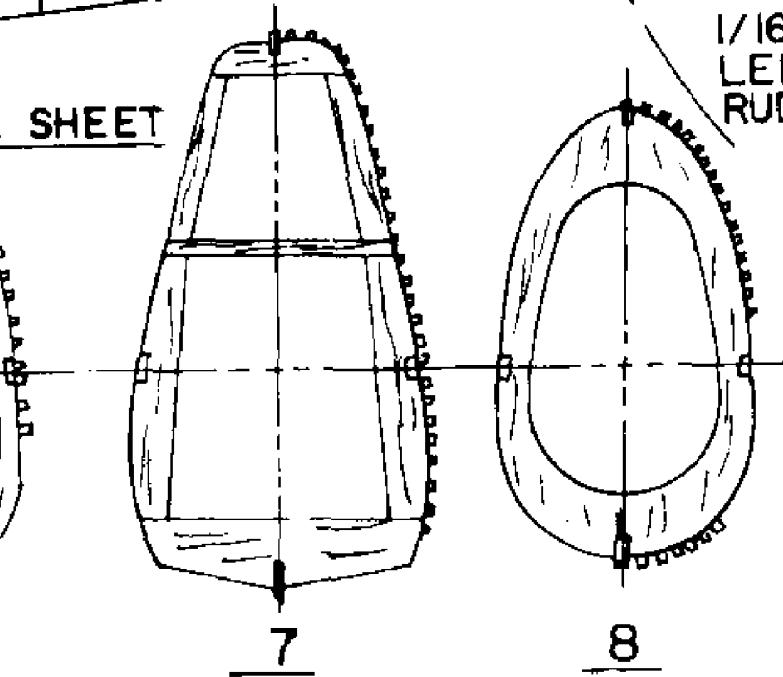
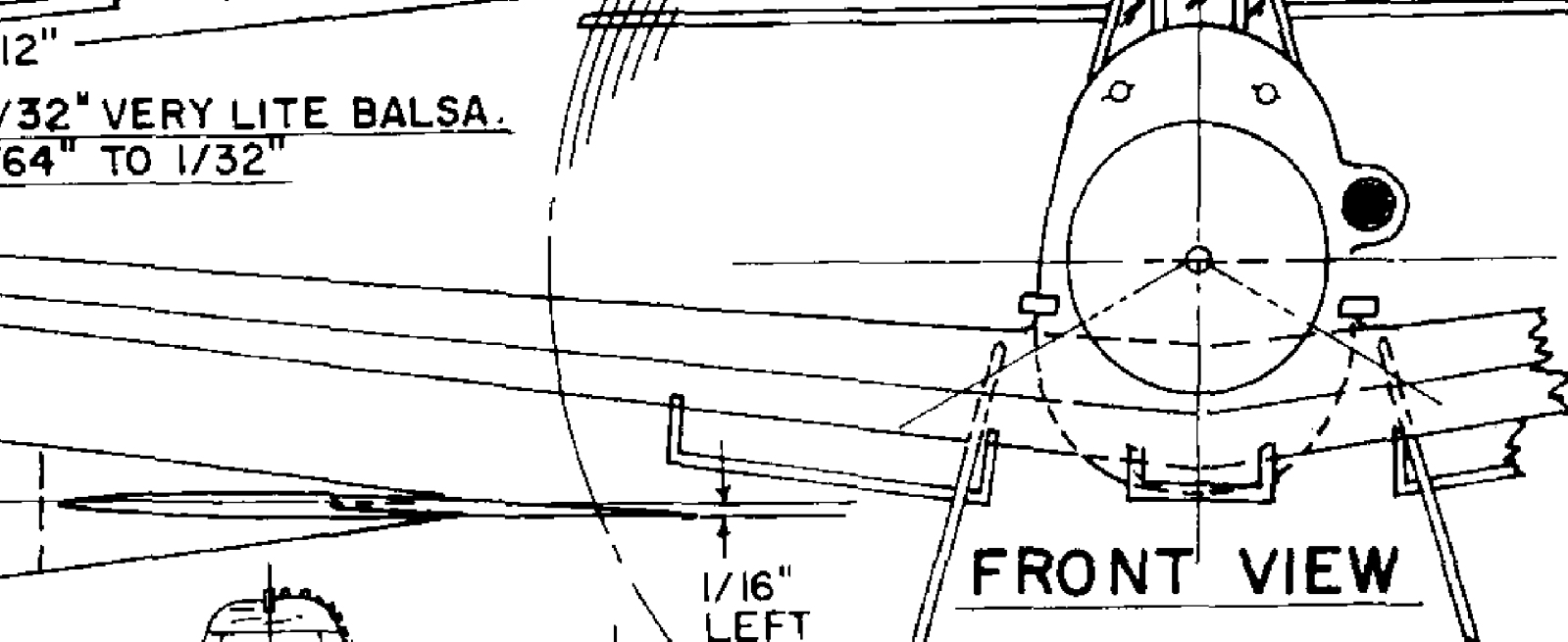


WING TOP VIEW

BULKHEADS 4 THRU 10, 1/32" Balsa SHEET



12"
1/32" VERY LITE BALSA.
64" TO 1/32"



1/16"
LEFT
RUDDER

FLYING MODELS

MESSERSCHMITT BF 109 F
DESIGNED BY LUBOMIR KOUTNY
DRAWN BY LUBOMIR KOUTNY
TEXT BY BILL WARNER
INKED PLAN BY JOE DEMARCO