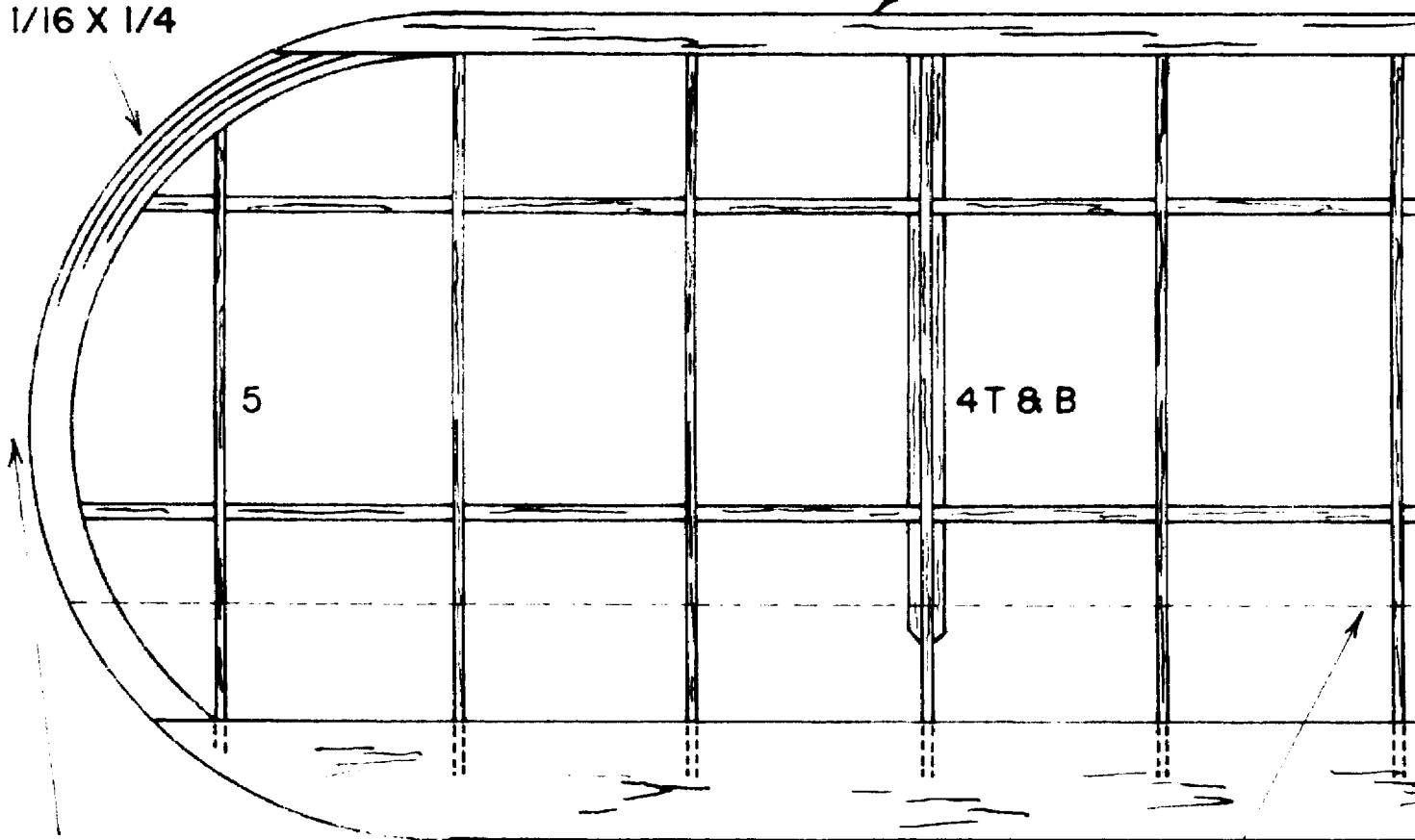


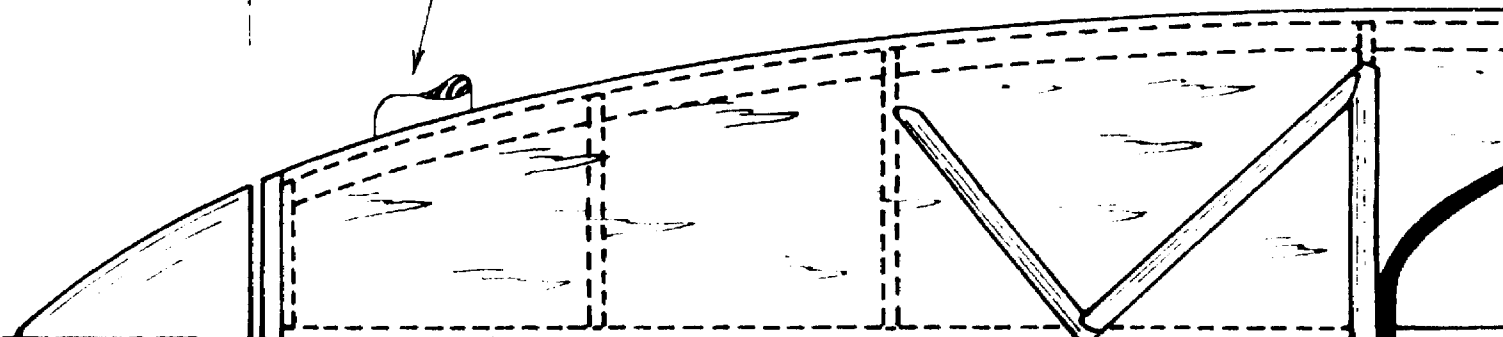
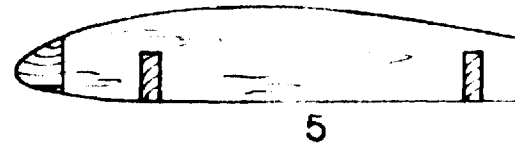
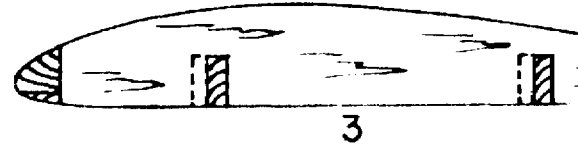
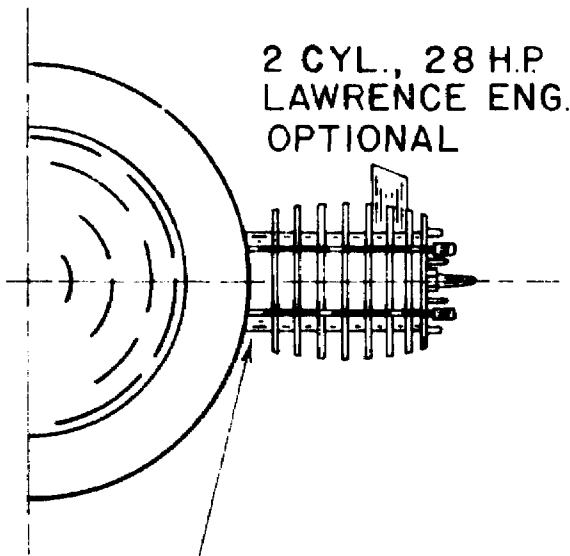
LAMINATE TIPS FROM SOFT
1/16 X 1/4

LEADING EDGE - 1/4 S

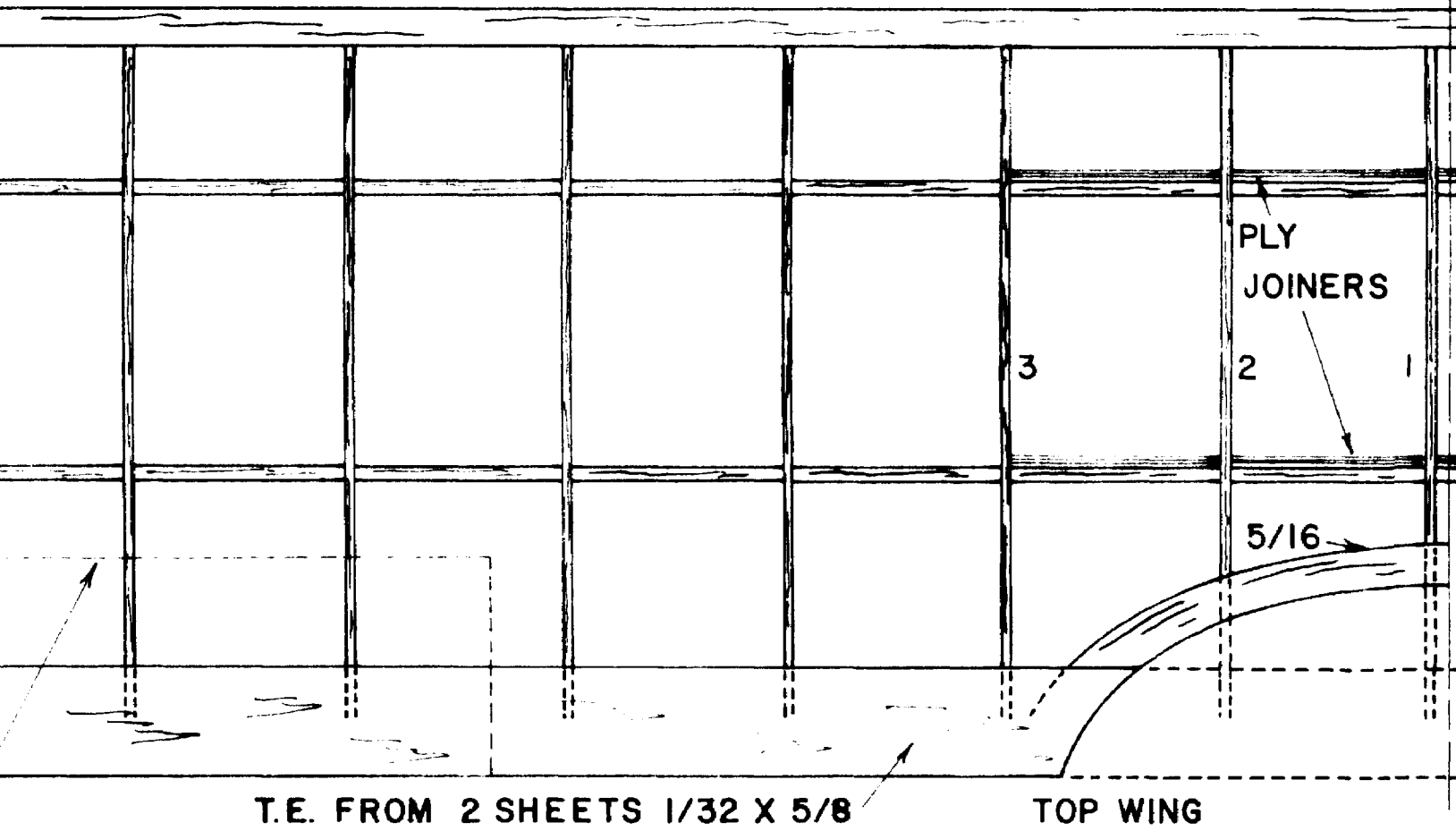


1" DIHEDRAL AT
BOTH WING TIPS

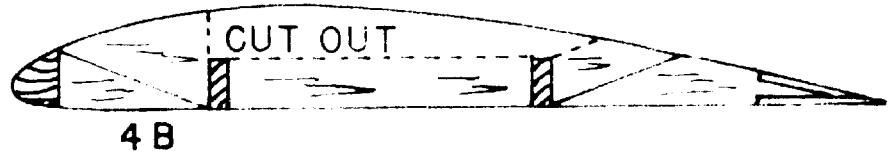
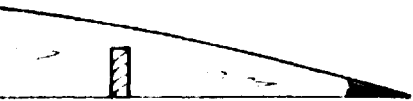
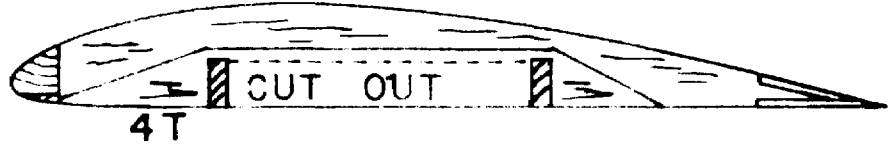
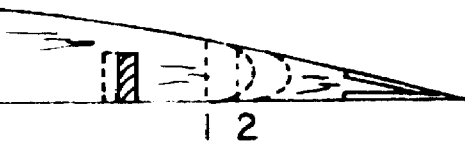
AILERONS ON BOTTOM WING ONLY



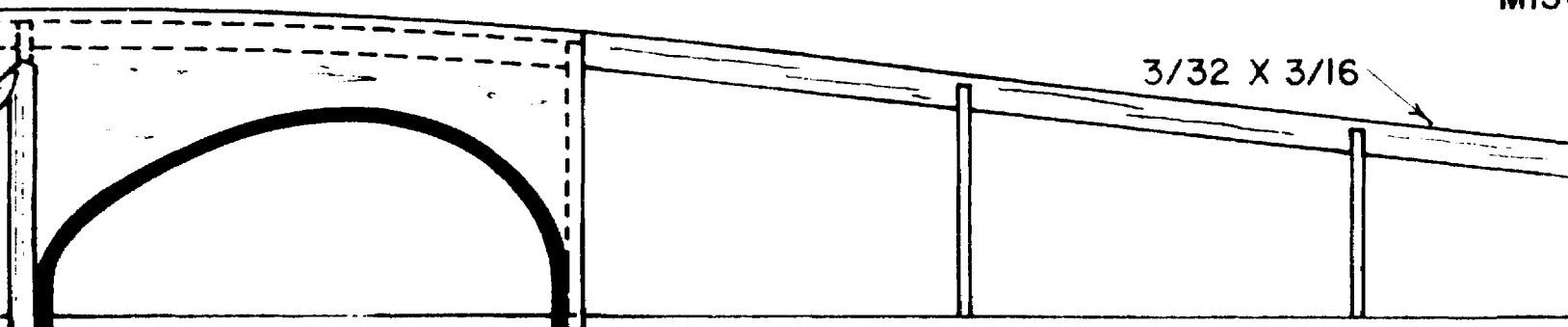
1/4 SQ. & 1/4 X 1/16 (SEE RIB PROFILE)

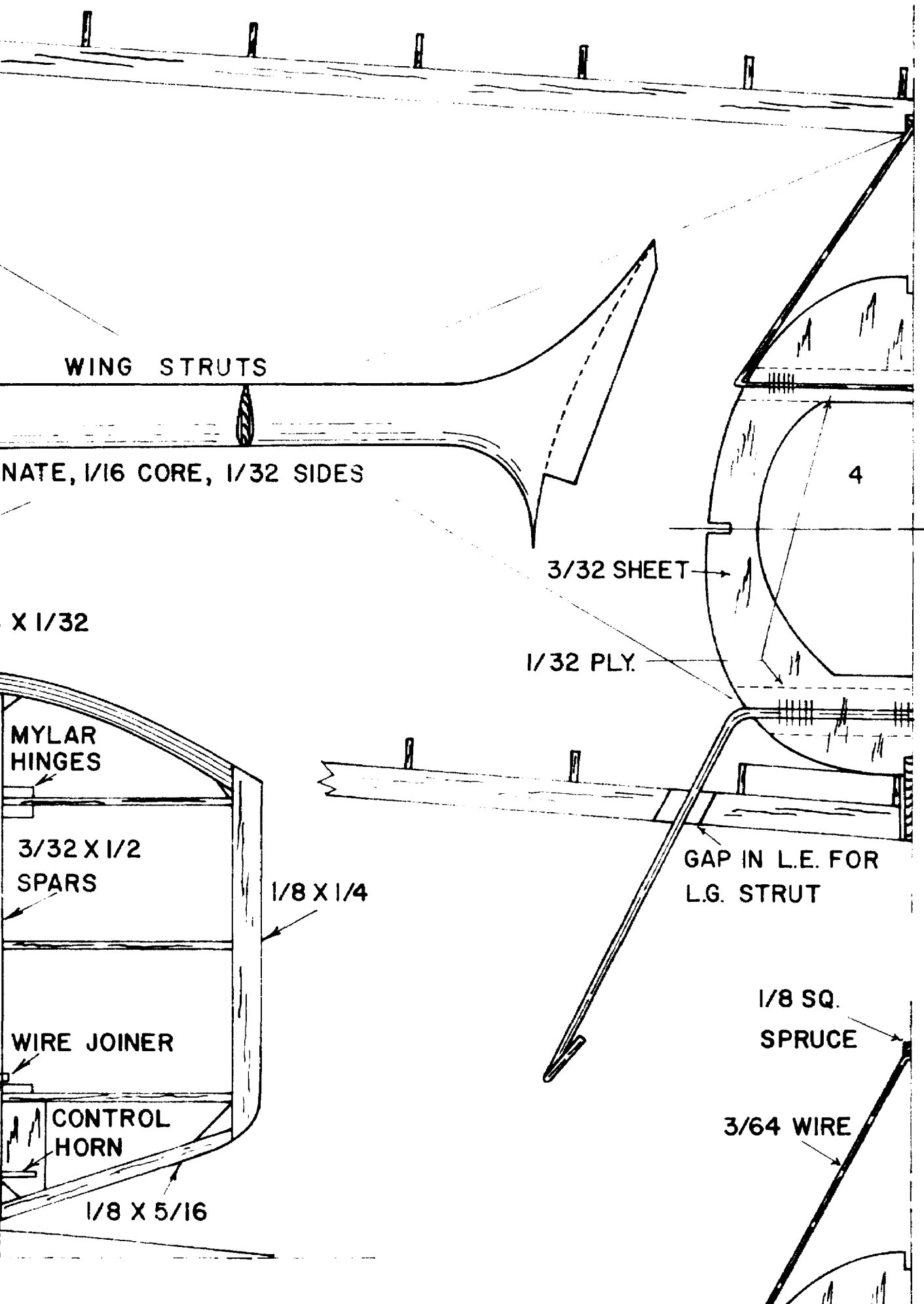


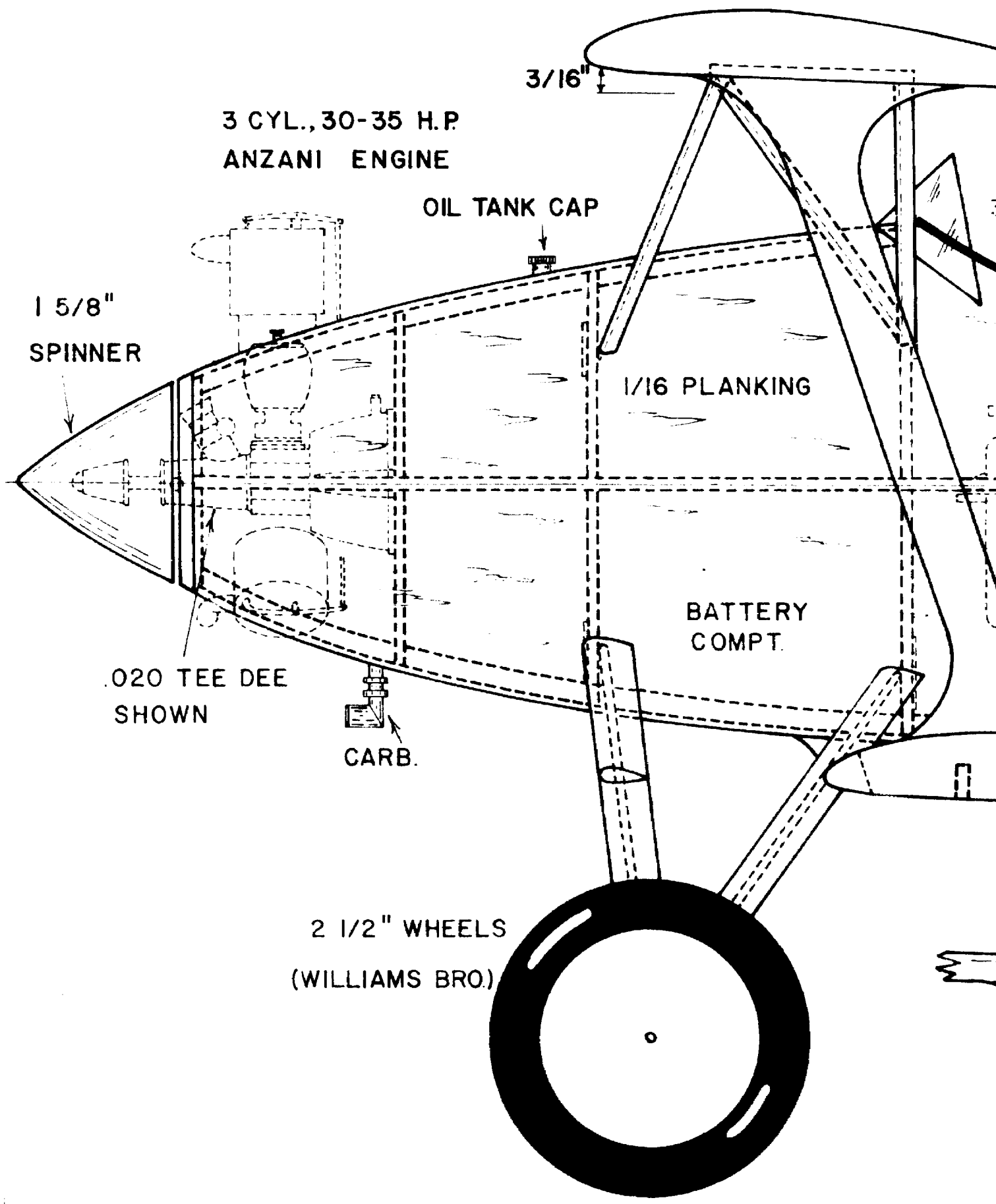
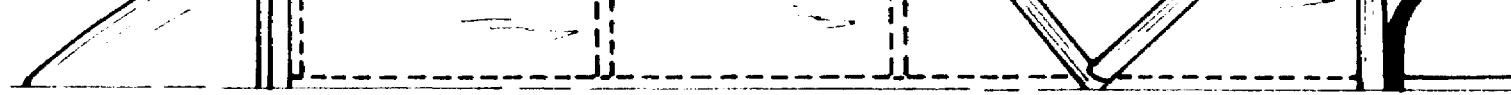
ALL RIBS - 1/16 SHEET BALSA



- (1) SCIENCE
- (2) "
- (3) LINCOLN
- (4) E.A. A
- (5) THE
- (6) SKE
- MISC



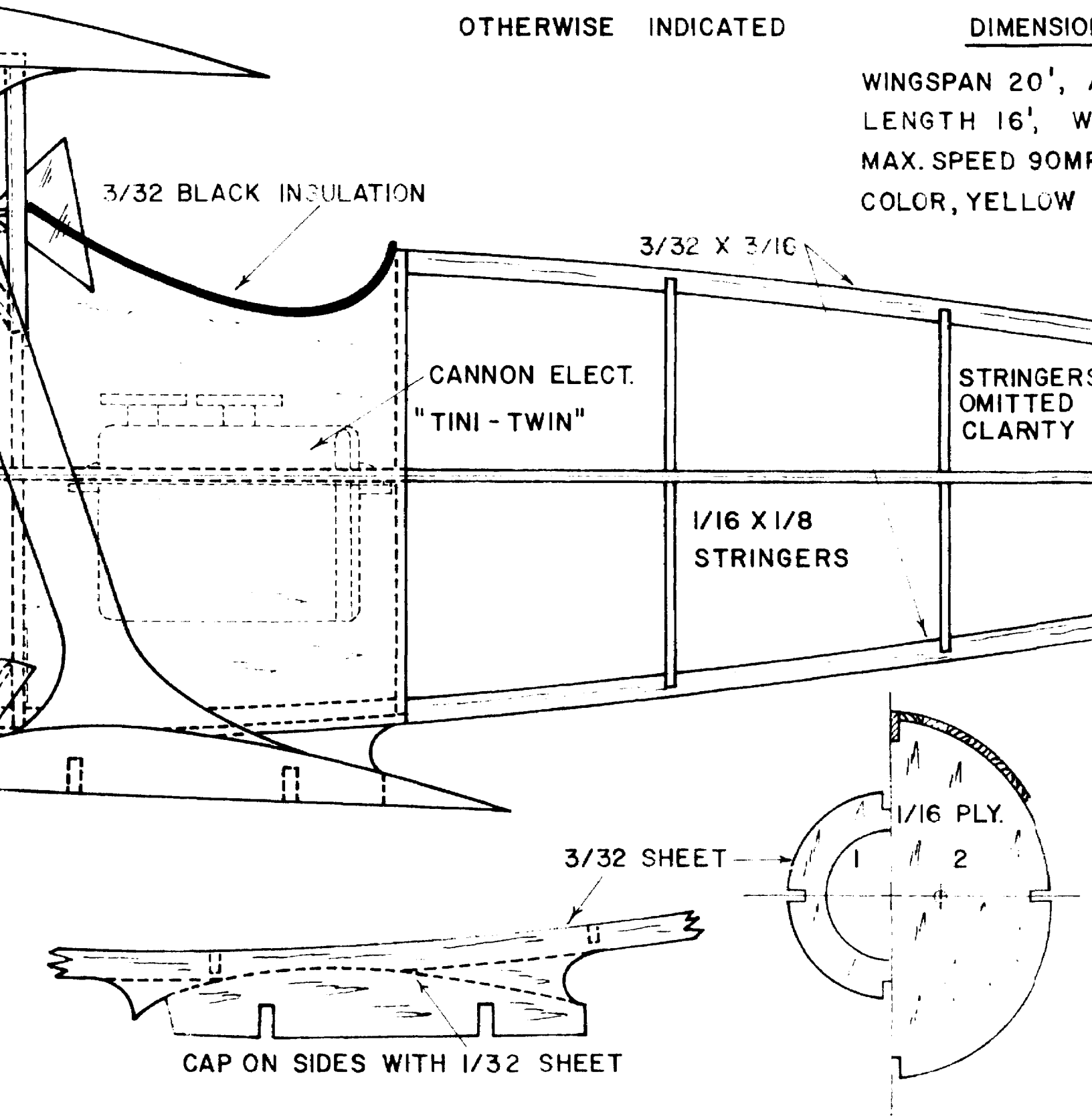




NOTE: ALL PARTS BALSA UNLESS OTHERWISE INDICATED

DIMENSIONS

WINGSPAN 20',
LENGTH 16', W
MAX. SPEED 90MP
COLOR, YELLOW



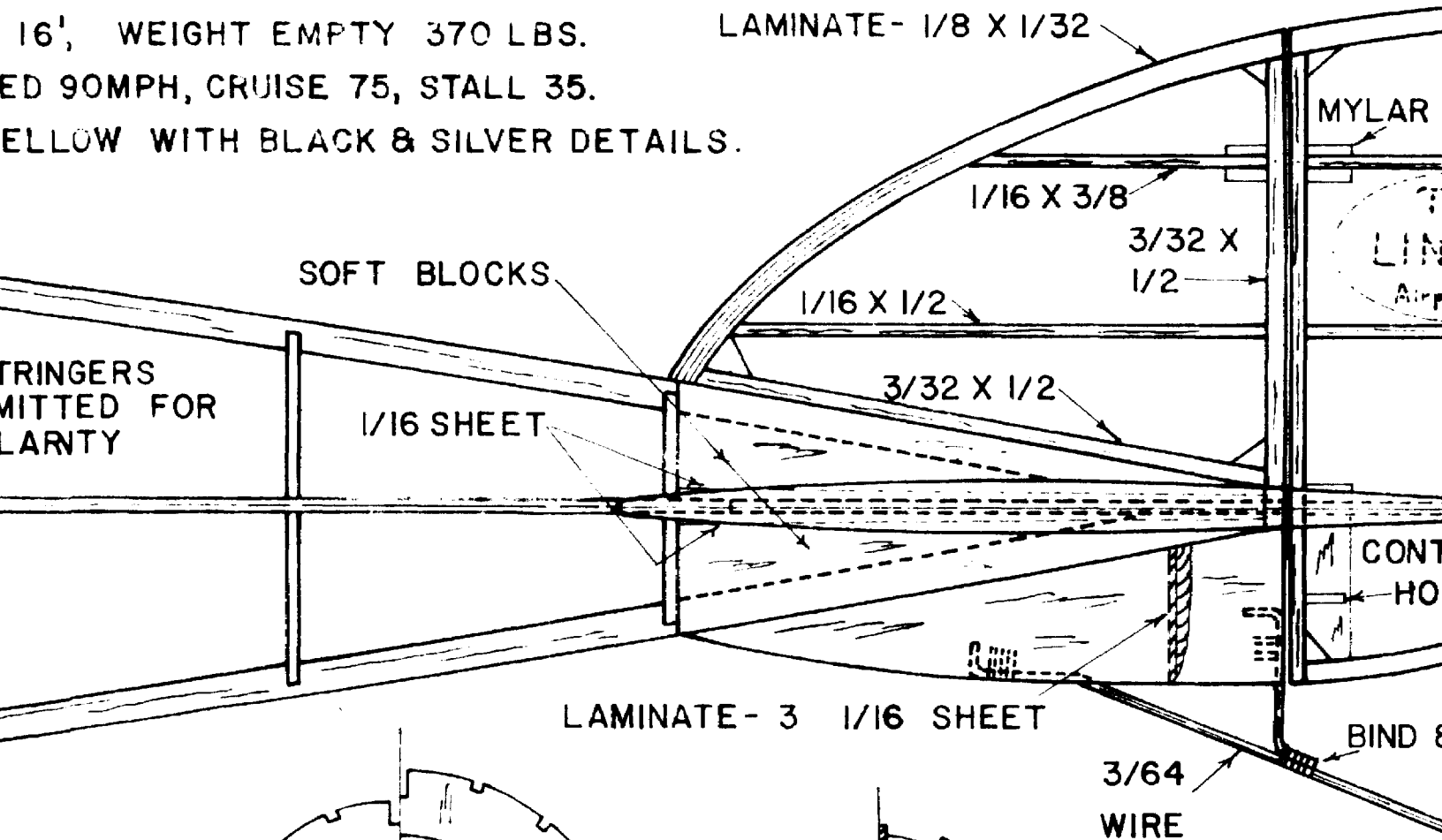
DIMENSIONS AND PERFORMANCE

20', AREA 108 SQ. FT.

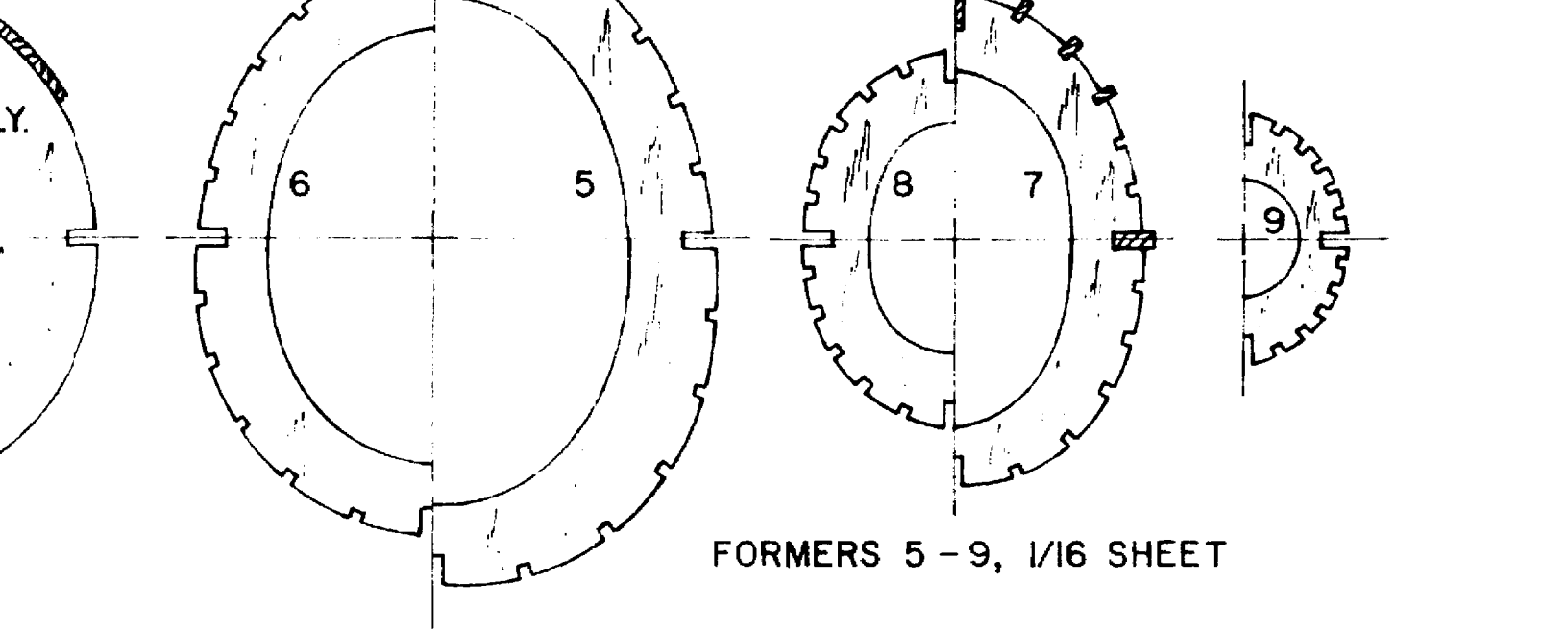
16', WEIGHT EMPTY 370 LBS.

90MPH, CRUISE 75, STALL 35.

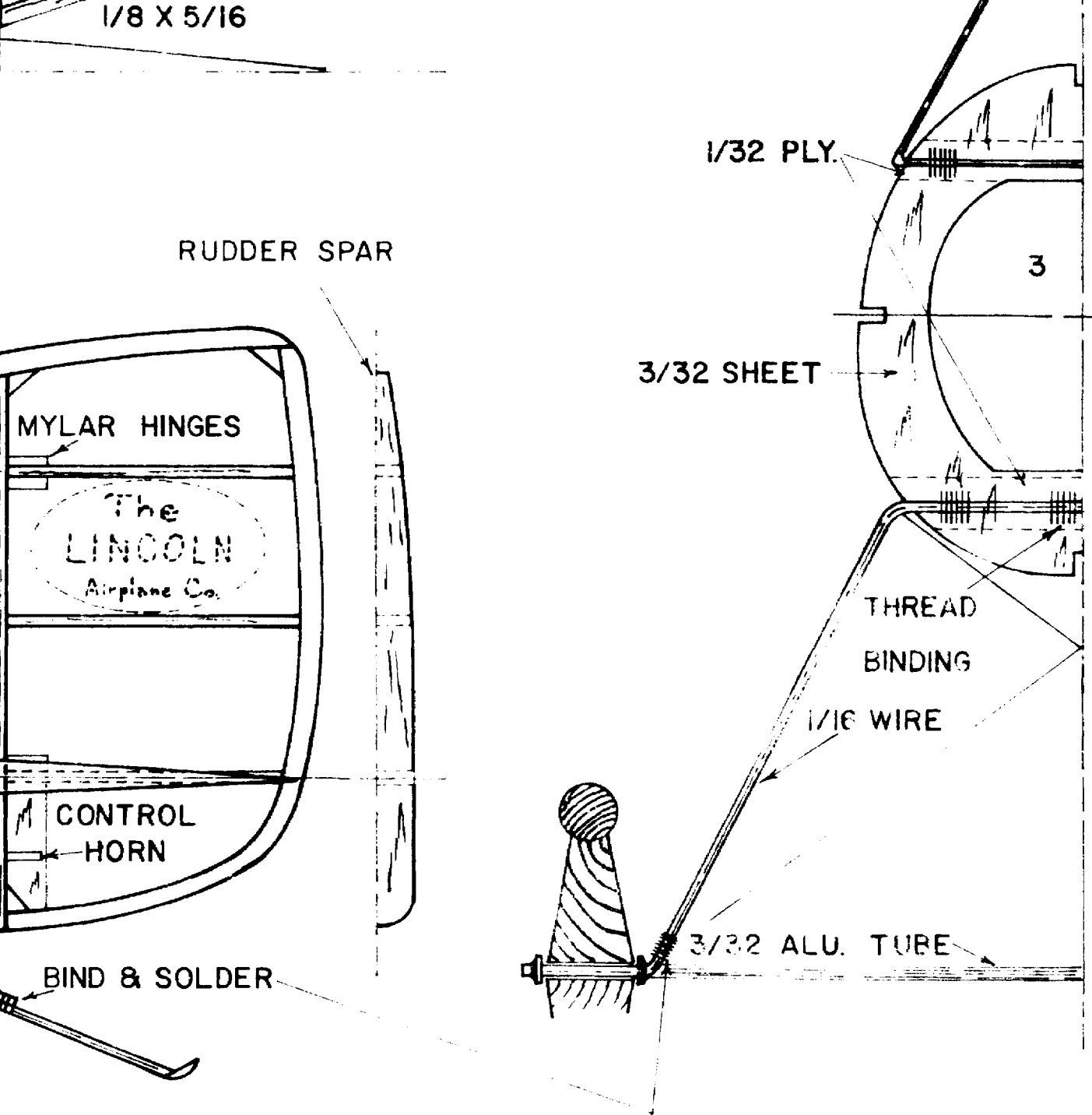
YELLOW WITH BLACK & SILVER DETAILS.



STRINGERS
OMITTED FOR
CLARITY



1/8 X 5/16



LINCOLN SPORT

LINCOLN STANDARD AIRPLANE COMPANY
LINCOLN, NEB.

FOR .020 POWER, LIGHT RADIO CONTROL OR FREE FLIGHT
1 1/2" SCALE, 30" WINGSPAN, 24" LENGTH
MODEL RESTORED BY C.ROTH, DESIGNED BY H.G.BOWERS

WASHINGTON, JAN. '75