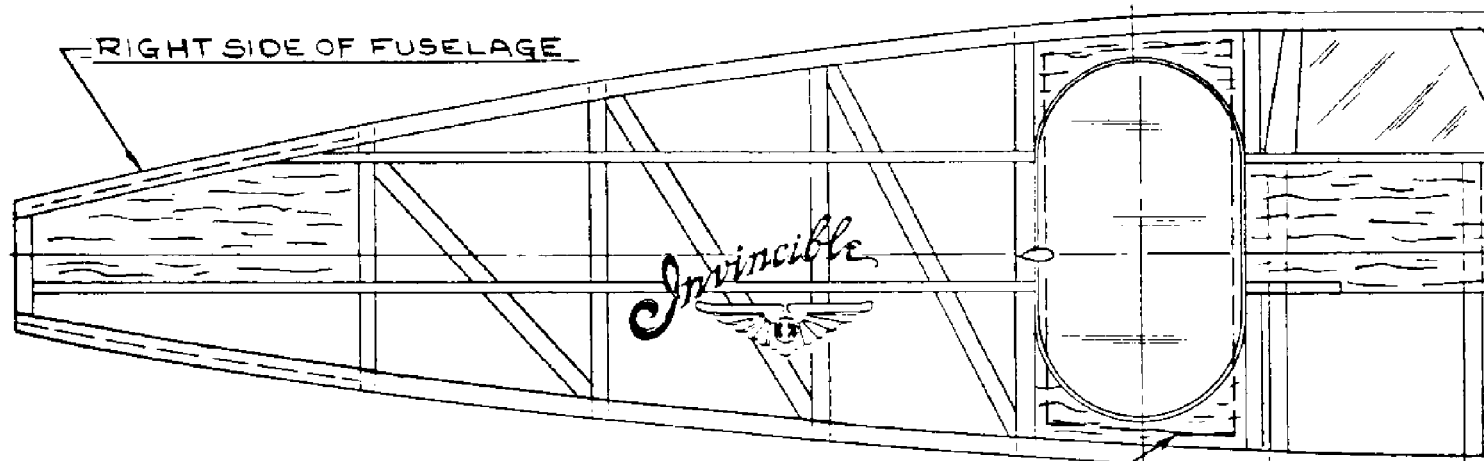
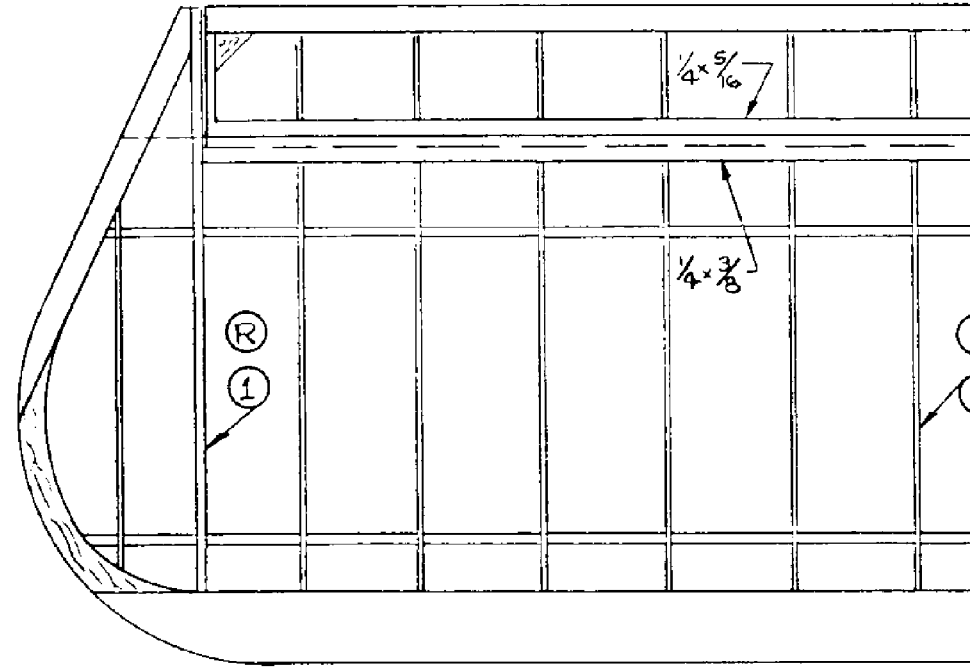
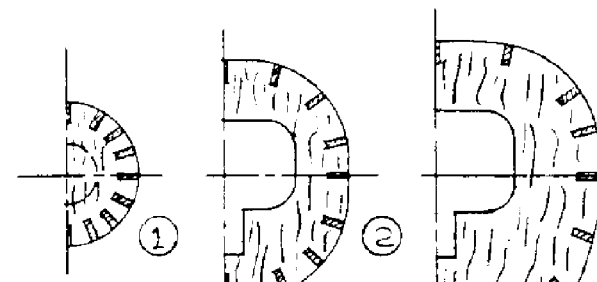
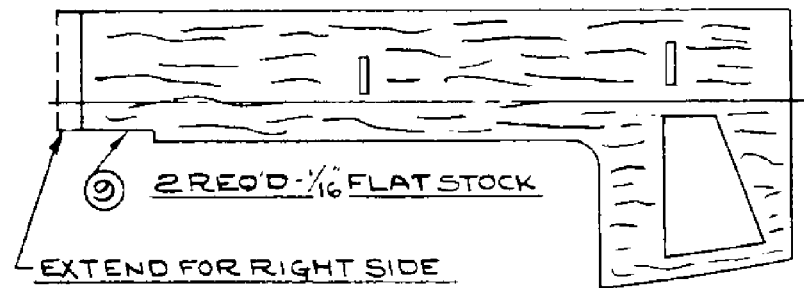


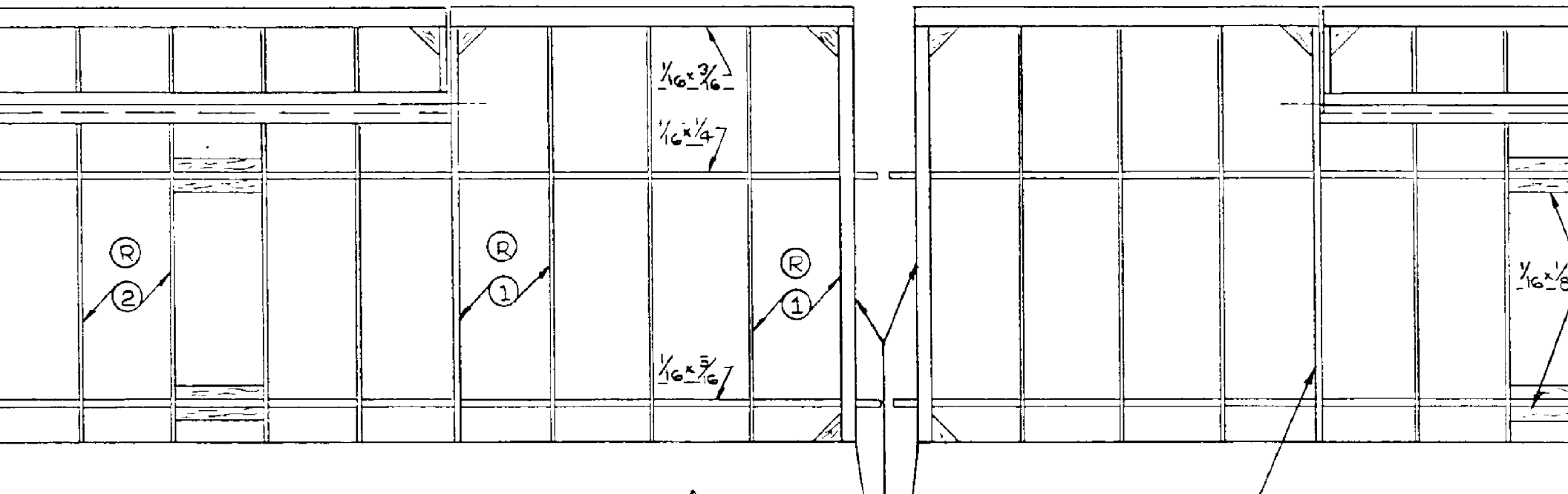
**'INVINCIBLE'  
DRAWINGS BY  
DICK GATES**



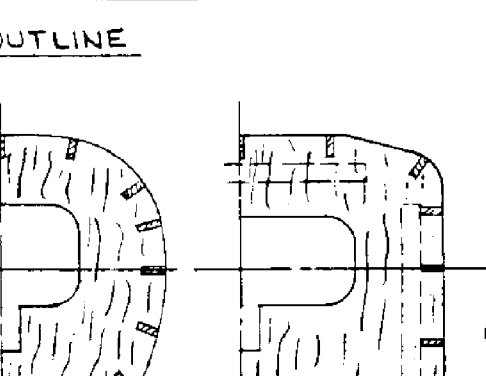
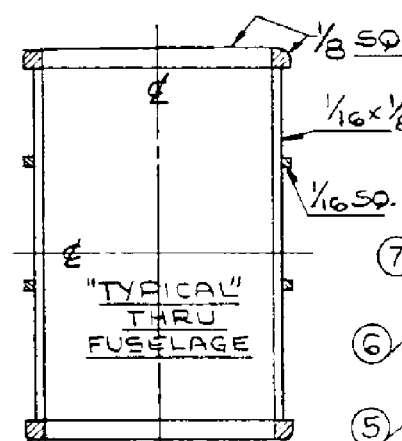
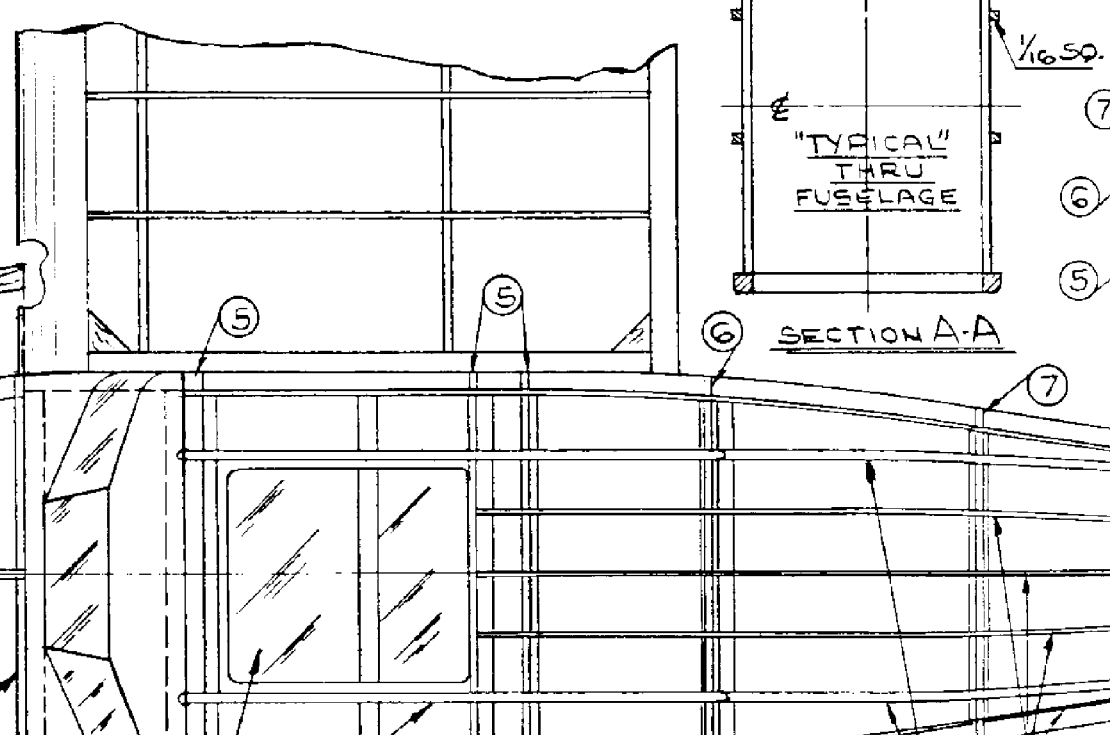
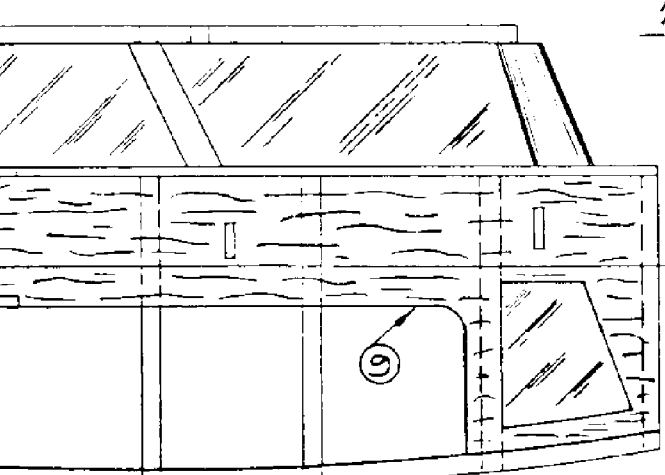
RIGHT SIDE OF FUSELAGE

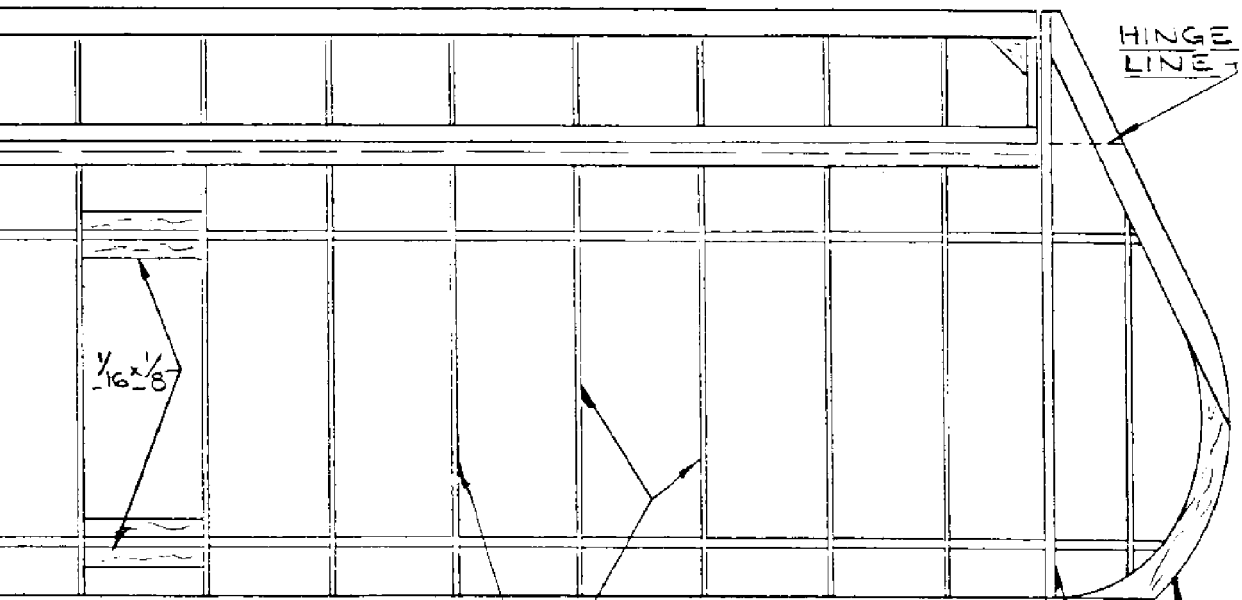
EARLY DOOR OUTLINE





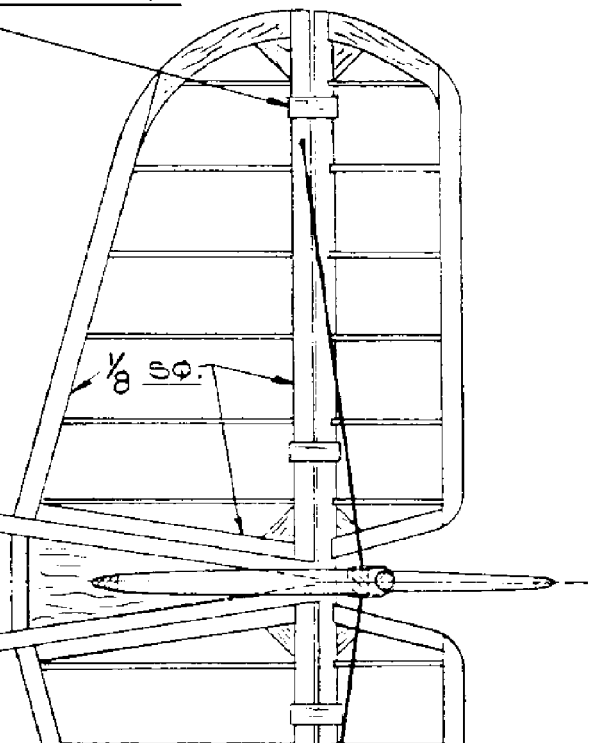
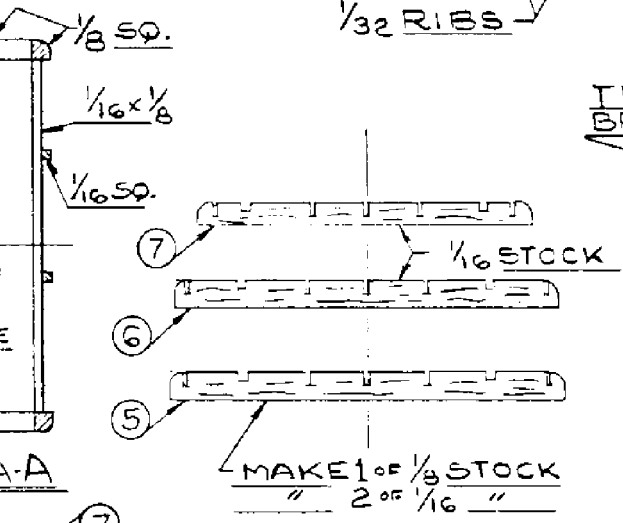
$\frac{1}{16} \times \frac{1}{2}$  L.E.  
 $\frac{1}{8}$  RIBS  
 $\frac{1}{16}$  RIB



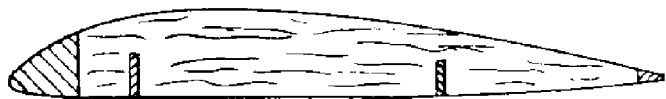
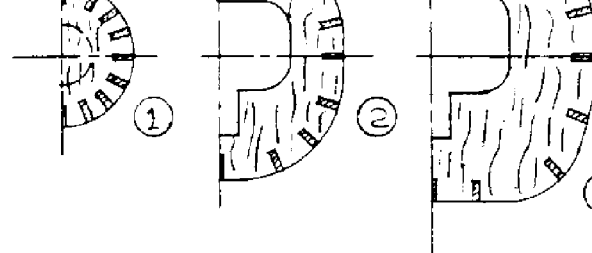


$\frac{1}{8}$  SQ.       $\frac{1}{32}$  RIBS       $\frac{1}{16}$  RIB       $\frac{1}{4}$  FLAT

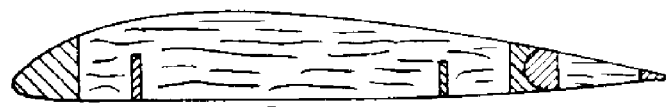
THIN ALUM. OR  
BRASS HINGE



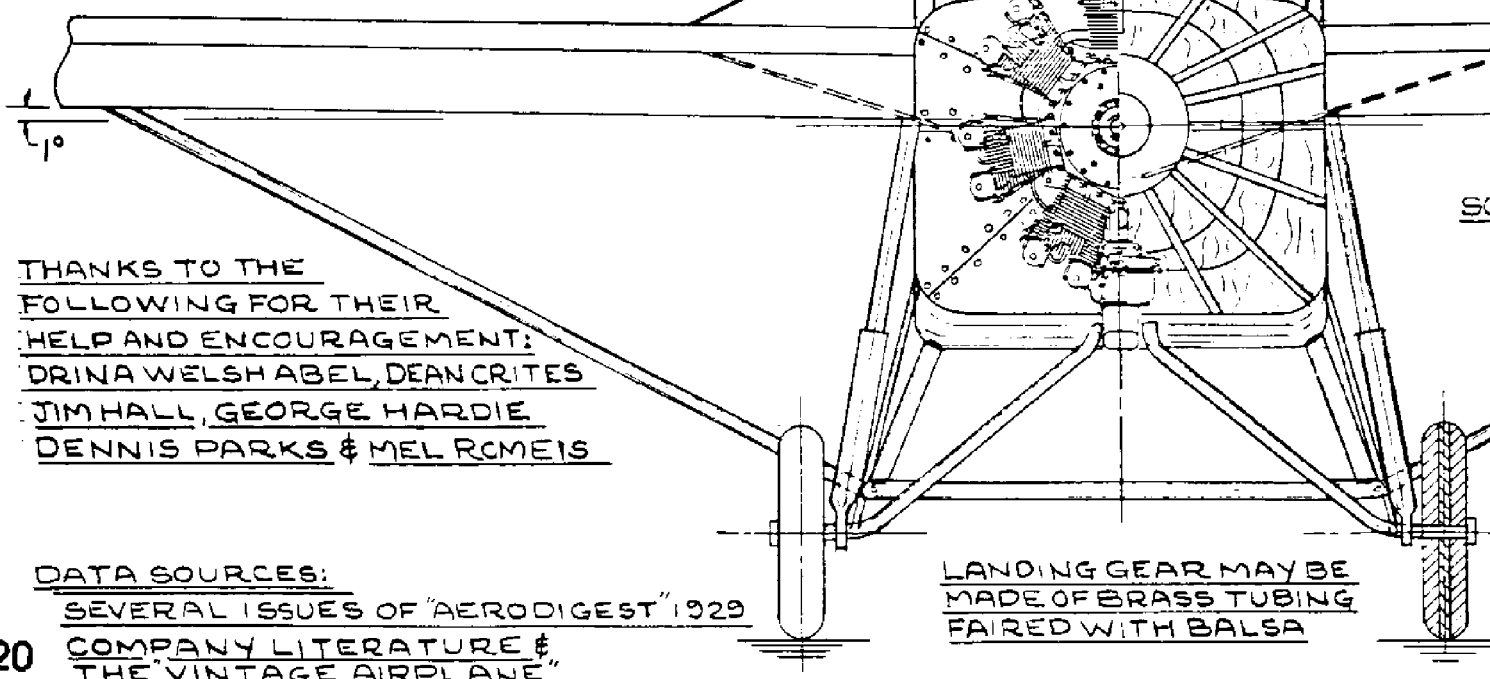
EXTEND FOR RIGHT SIDE



(R) 1



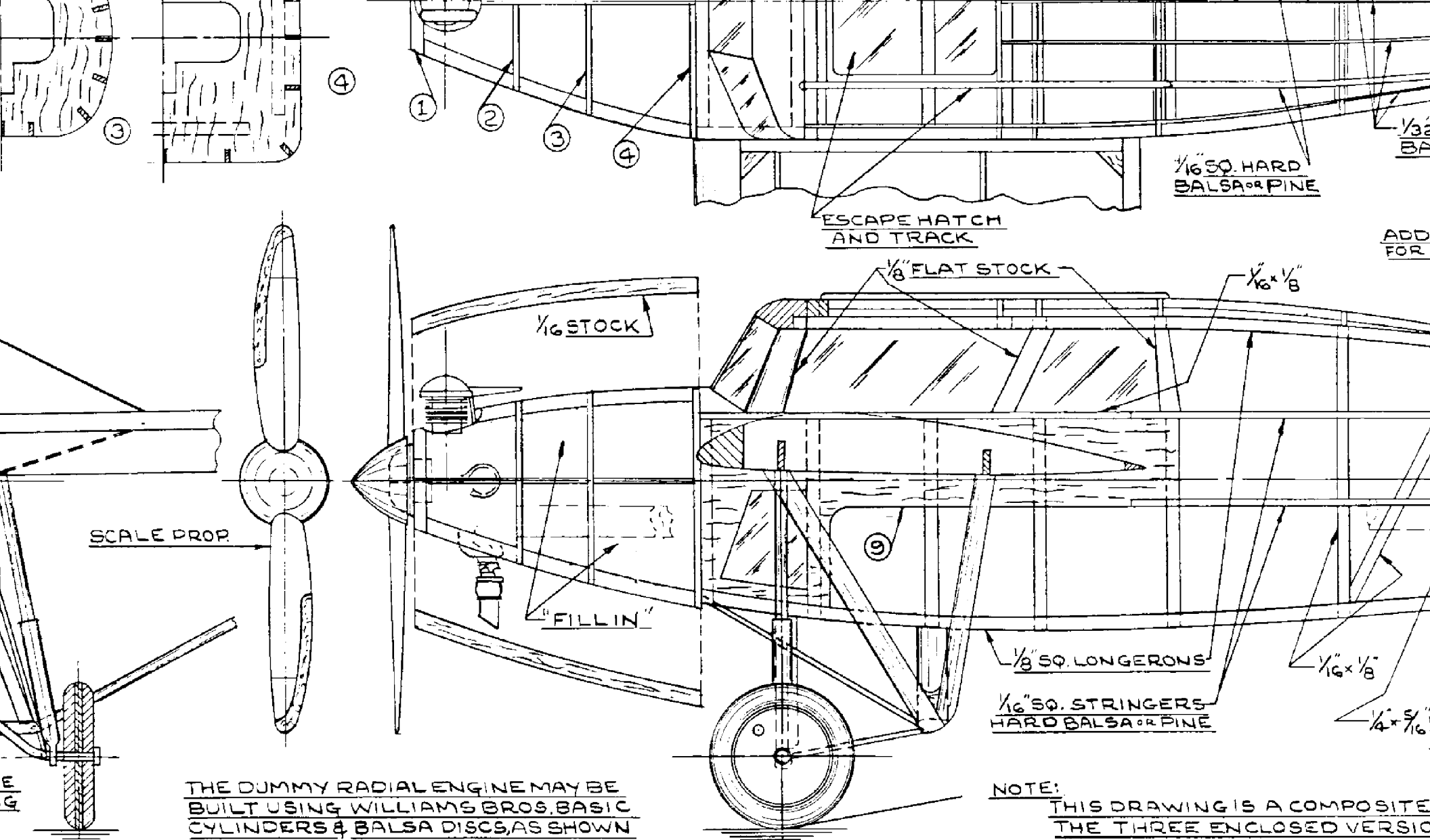
(R) 2



THANKS TO THE  
FOLLOWING FOR THEIR  
HELP AND ENCOURAGEMENT:  
DRINA WELSHABEL, DEAN CRITES  
JIM HALL, GEORGE HARDIE  
DENNIS PARKS & MEL ROMEIS

DATA SOURCES:  
SEVERAL ISSUES OF "AERODIGEST" 1929  
COMPANY LITERATURE &  
THE "VINTAGE AIRPLANE"

LANDING GEAR MAY BE  
MADE OF BRASS TUBING  
FAIRED WITH Balsa

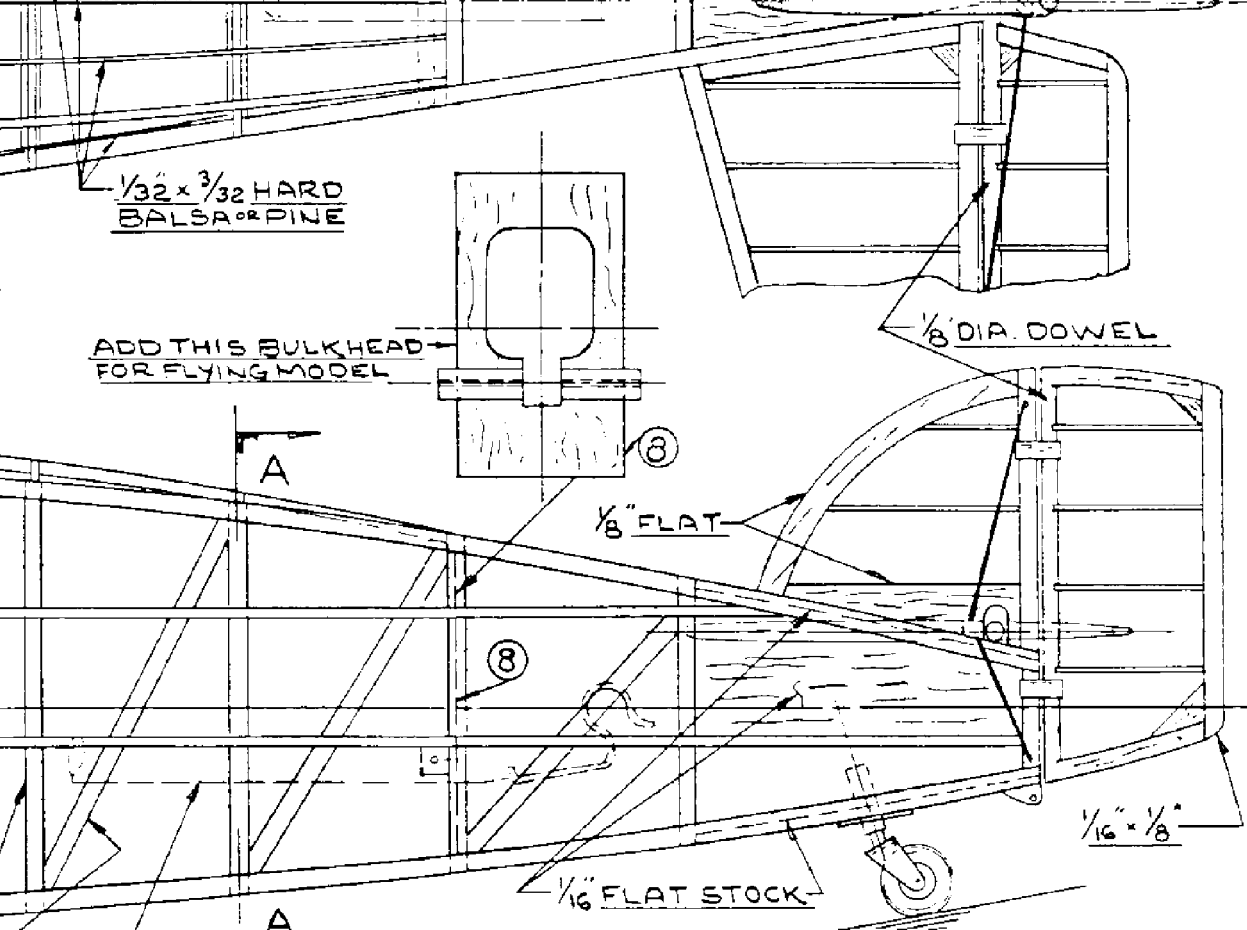


SCALE PROP

THE DUMMY RADIAL ENGINE MAY BE BUILT USING WILLIAMS BROS. BASIC CYLINDERS & Balsa DISCS, AS SHOWN ON THE SIDE VIEW.

NOTE: THIS DRAWING IS A COMPOSITE OF THE THREE ENCLOSED VERSIONS KNOWN TO HAVE BEEN BUILT

NOTES FROM DICK GATES



"INVINCIBLE"

BUILT BY: AIRCRAFT DIVISION OF:  
INVINCIBLE METAL FURNITURE COMPANY  
MANITOWOC, WISCONSIN

3 PLACE VERSION: LE BLOND, 7 CYL ENGINE  
 4 PLACE VERSION: CURTISS CHALLENGER ENG.

SCALE:  $\frac{3}{4}'' = 1 \text{ FT.}$

DRAWN BY: DICK GATES

© COPYRIGHT 1989 BY RICHARD L. GATES

COMPOSITE OF  
 TWO VERSIONS  
 AS BUILT.