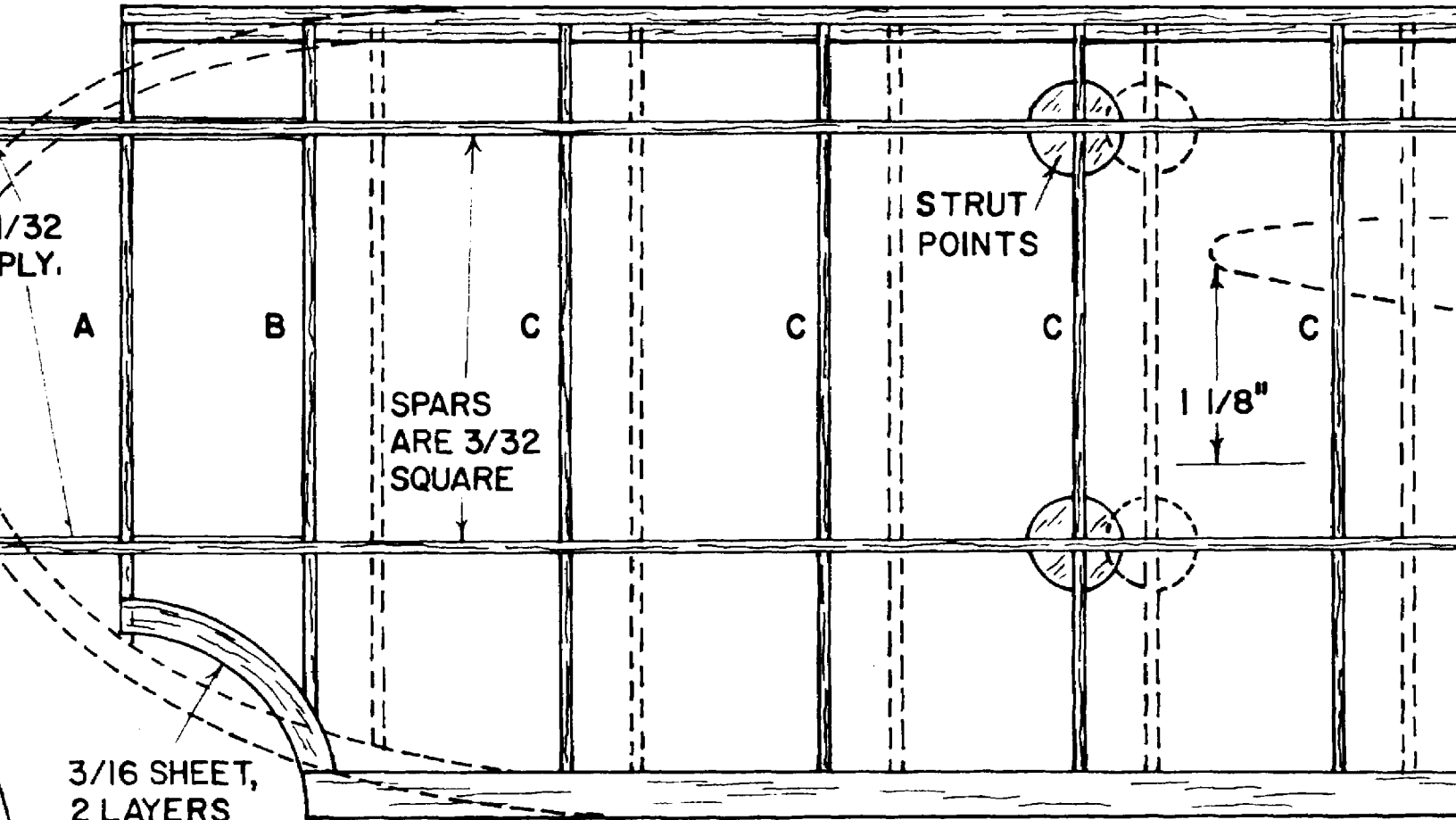


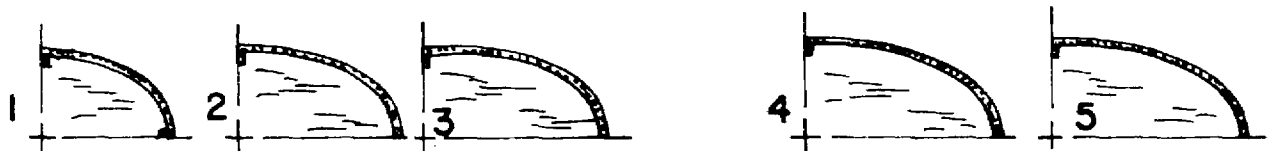
WINGS

LEADING E



TRAILING EDGES 3/32 X 1/4

2 REQ.



ALL FORMERS ARE 1/16" SHEET Balsa, STRINGERS ARE 1/16" SANDED TO 1/32" THICKNESS.

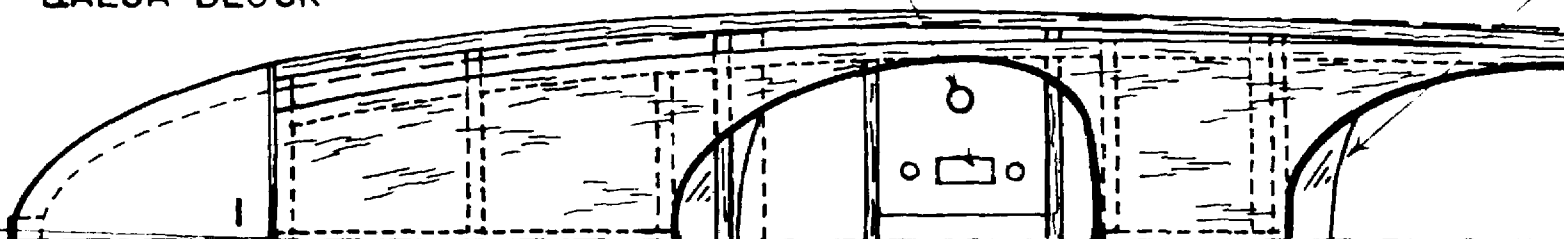
NOTE - THIS MODEL OFFERS M
ENLARGING TO GIAN

MAKE NOSE FROM
Balsa BLOCK

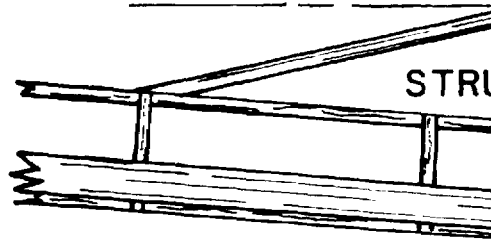
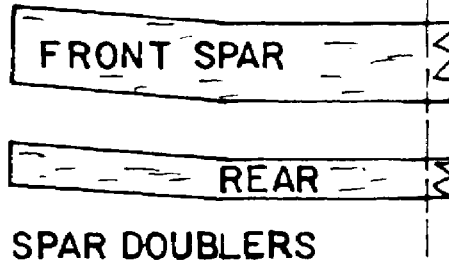
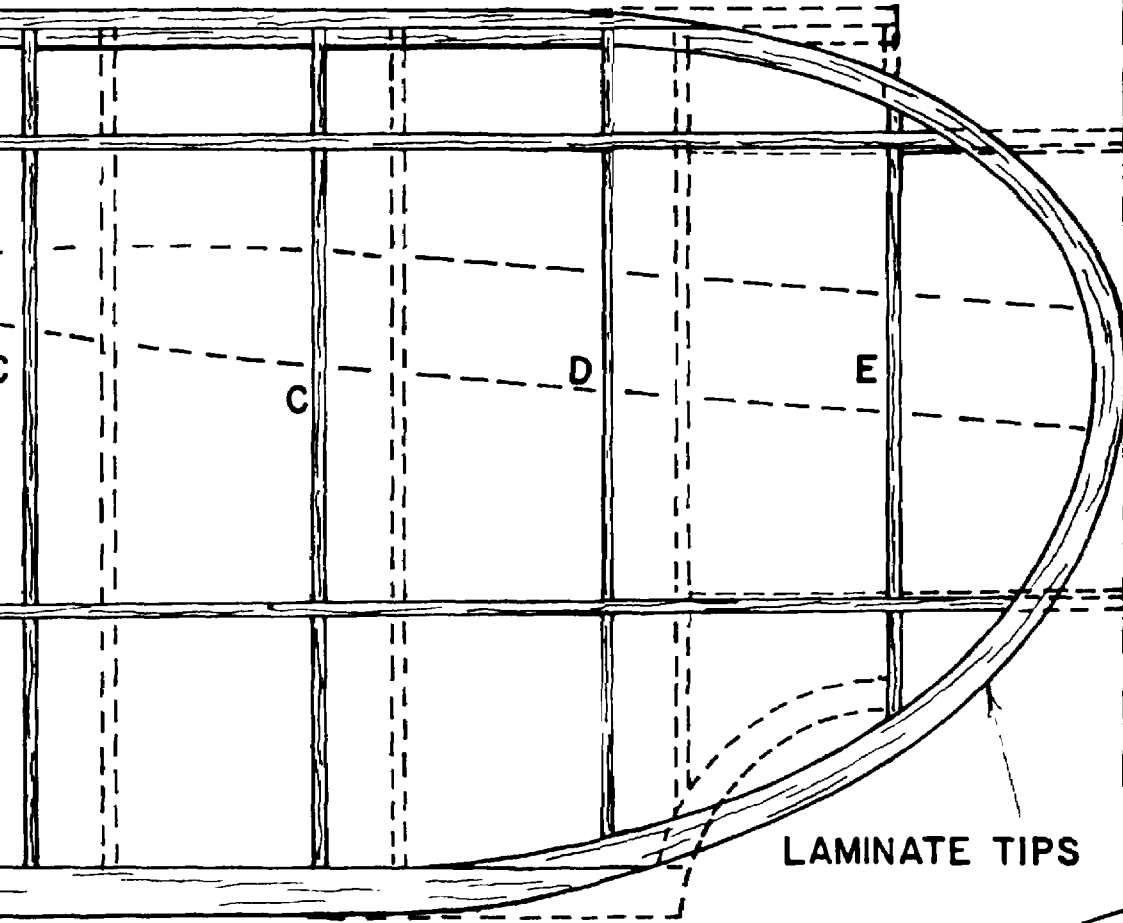
CHARGING "JACK"
AND SWITCH

TOP VIEW

CLEA



LEADING EDGES 3/16 SQ.



3/32 BALSA
1/32 PLYWOOD



ALL RIBS ARE 1/16 SH



10 REQ.



1/4

ARE 1/16 SQ. PLANKING IS 1/16 BALSA STRIP

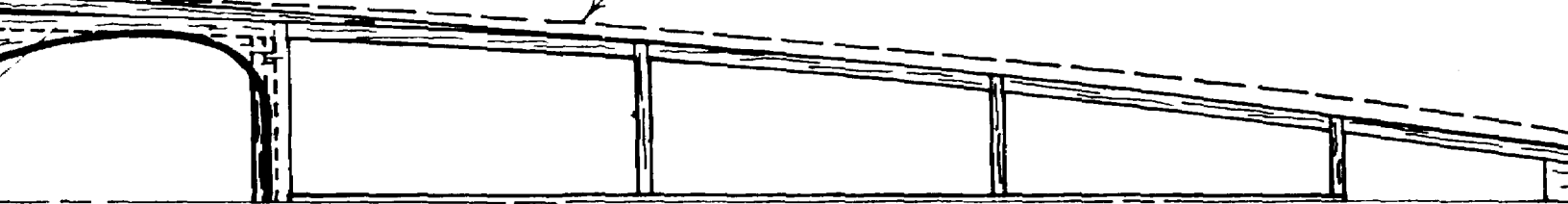
OFFERS MUCH PROMISE FOR
TO GIANT SCALE RADIO CONTROL

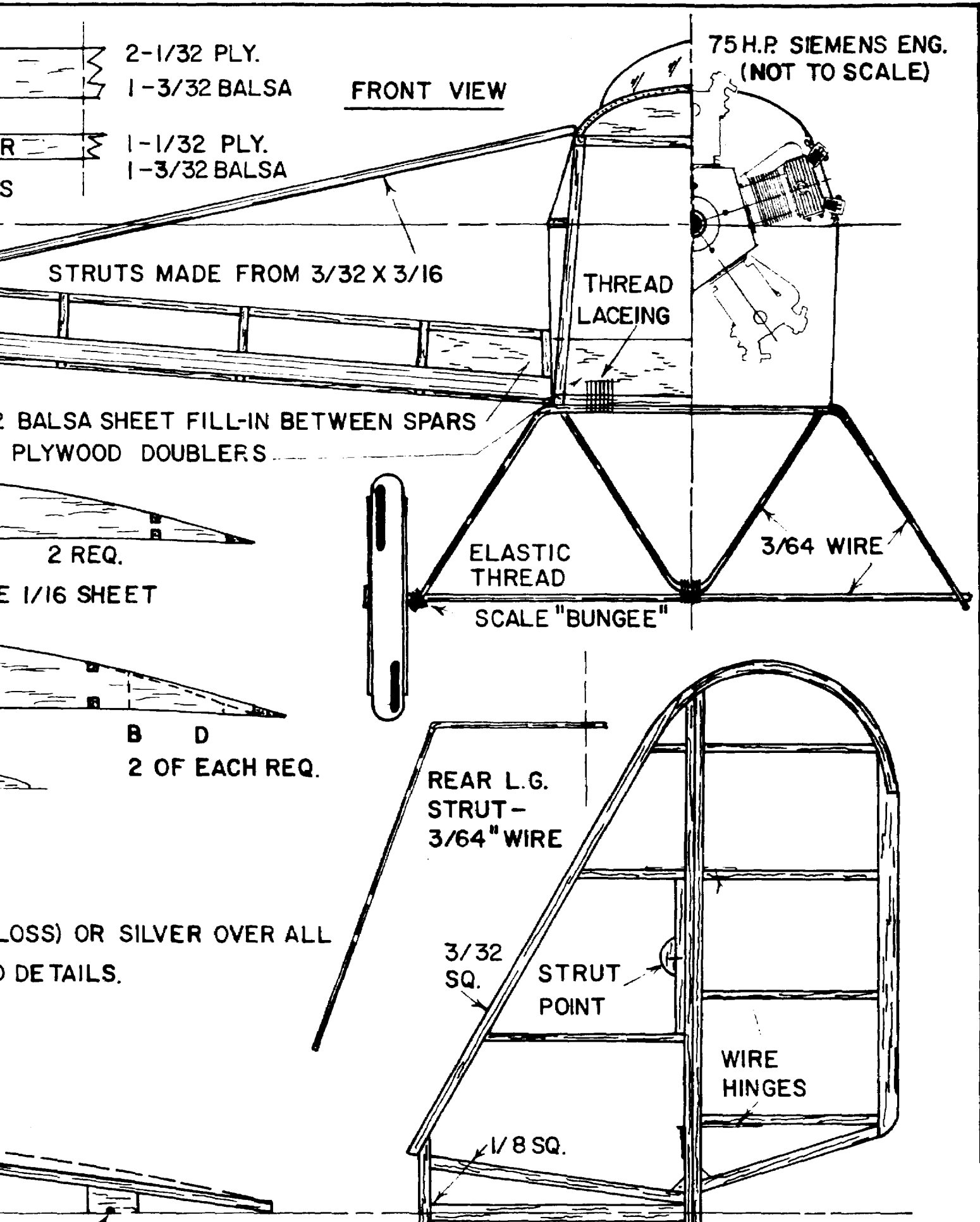
COLOR SCHEME

FLAT CLOUD GRAY (AERO GLOSS) OR
WITH BLACK LETTERS AND DETAIL

CLEAR PLASTIC WINDSCREENS

SIDE STRINGERS 1/16 X 3/16





2-1/32 PLY.

1-3/32 Balsa

FRONT VIEW

75 H.P. SIEMENS ENG.
(NOT TO SCALE)

R --- 1-1/32 PLY.
S --- 1-3/32 Balsa

STRUTS MADE FROM 3/32 X 3/16

THREAD
LACEING

2 Balsa SHEET FILL-IN BETWEEN SPARS
PLYWOOD DOUBLERS

2 REQ.

1/16 SHEET

ELASTIC
THREAD

3/64 WIRE

SCALE "BUNGEE"

B D
2 OF EACH REQ.

REAR L.G.
STRUT -
3/64" WIRE

3/32
SQ.

STRUT
POINT

WIRE
HINGES

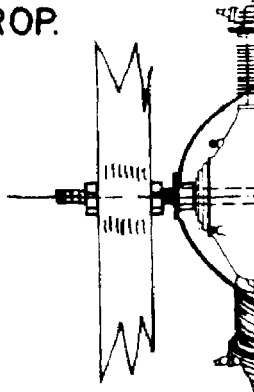
1/8 SQ.

(LOSS) OR SILVER OVER ALL
DETAILS.

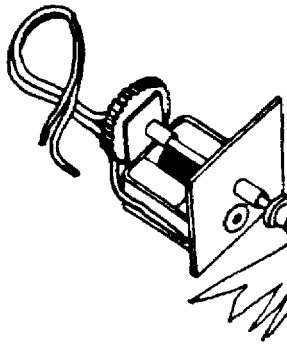
2°

1/32 PLY.
FIREWALL

6" PECK
PROP.



TYPICAL SCALE
ENGINE INSTALLA

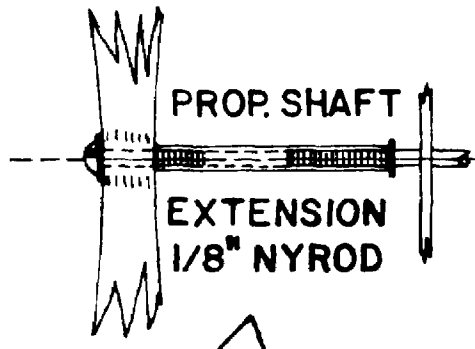
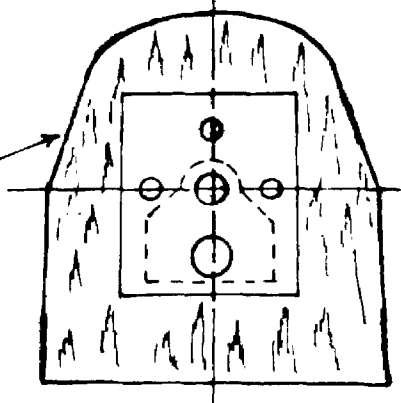


HI-LINE "MINI"

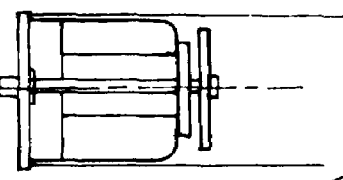


2 3 4 5

Y.
LL



PROP. SHAFT
EXTENSION
1/8" NYROD

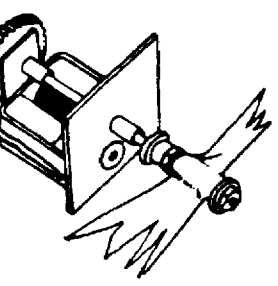


TYPICAL WIRING

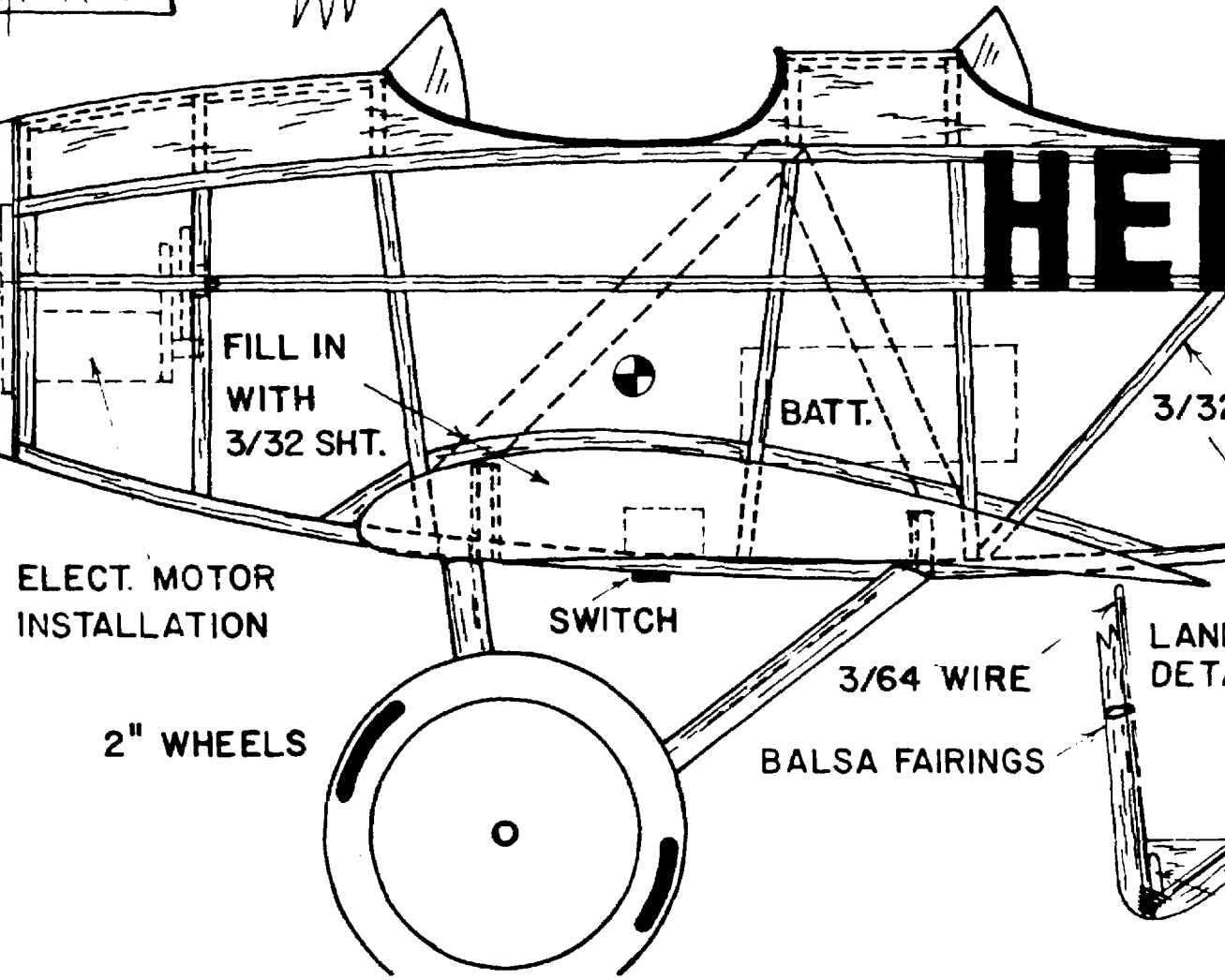
K



SCALE
INSTALLATION



NE "MINI 6"



FILL IN
WITH
3/32 SHT.

ELECT. MOTOR
INSTALLATION

2" WHEELS

SWITCH

BATT.

3/64 WIRE

BALSA FAIRINGS

LANE
DET.

HE

3/32

6

7

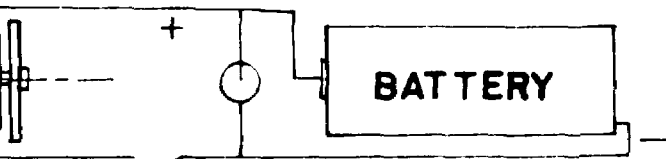
8

9

TAIL SKI
MOUNT

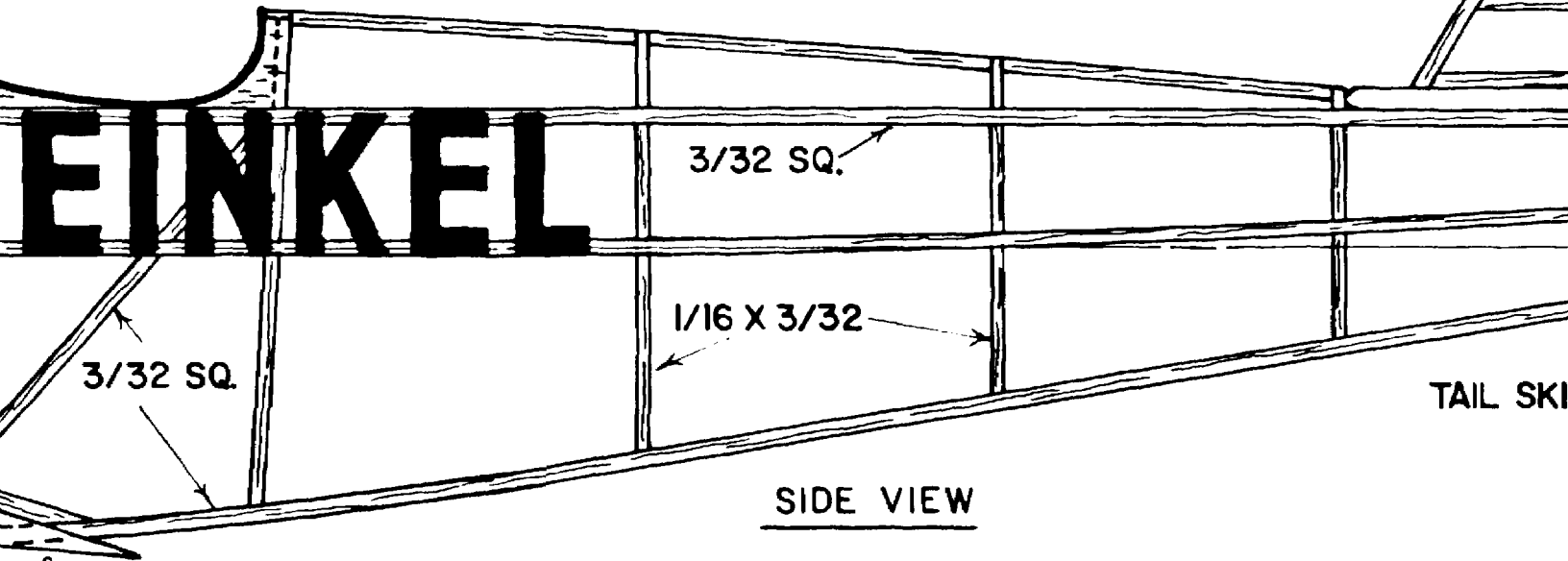
NOTE - THE HEINKEL H.E.18 WAS
ALSO FLOWN EXTENSIVELY AS
A SEAPLANE

LAMINATE
1/32 X 3/32

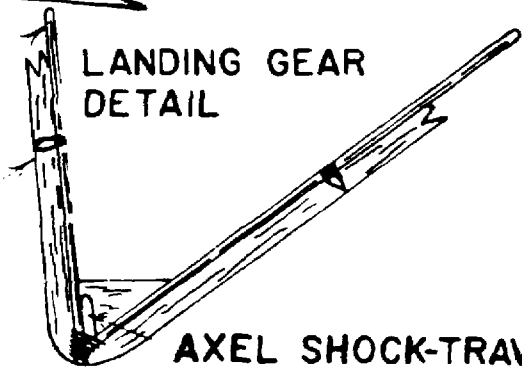


WIRING DIAGRAM

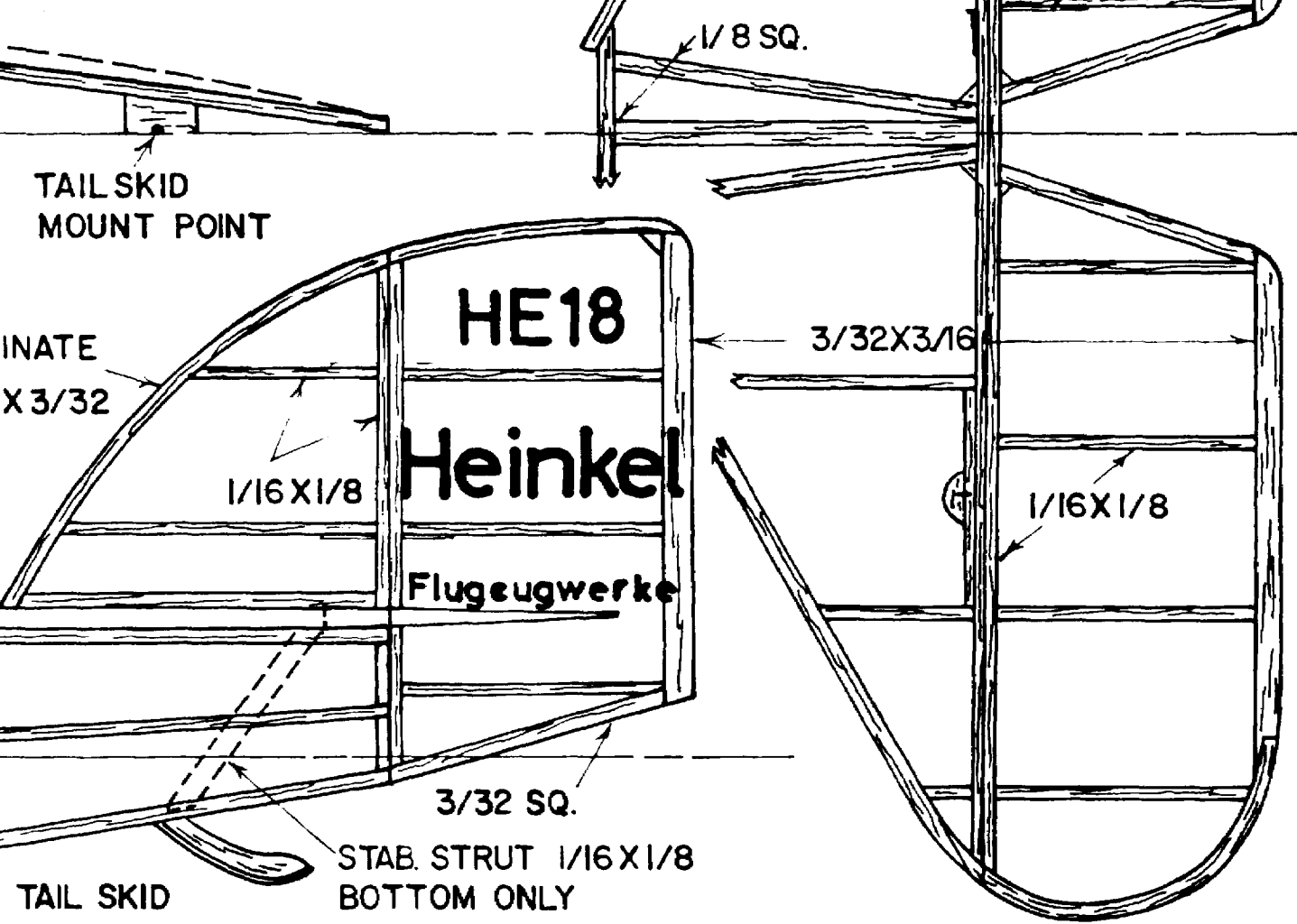
STRINGERS OMITTED FOR CLARITY



SIDE VIEW



- SOURCES OF DATA:
- AERO DIGEST, JUNE
 - FUNFZIG JAHRE MOTORFLUG (P176)
 - DEUTSCHE SPORTFLUGZEUGE, BY PETER PLETSCHAEHER (P 84 - 85)



T, JUNE 1925 (P 316-317)
 (6)
 Y PETER

<h1>HEINKEL H.E.18</h1>
<p>28" Wingspan, 19" Length, 128 Sq." Area (wing)</p> <p>Electric Powered Free Flight Scale Model</p> <p>Designed and drawn by Col. Hurst Bowers, June 1991</p>