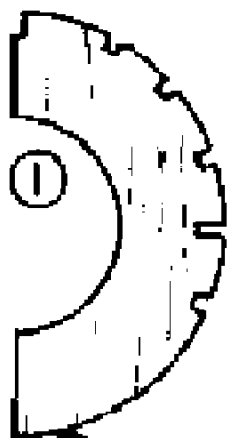
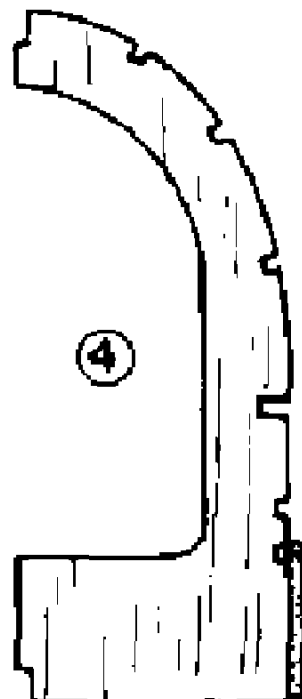
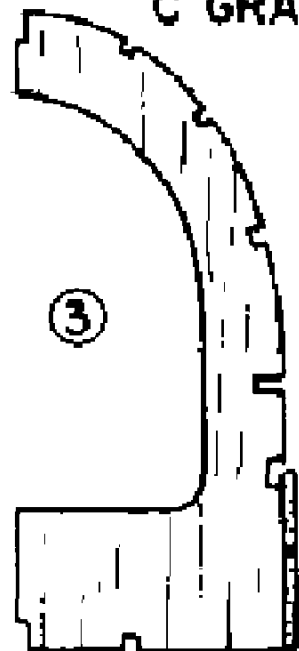


① & ②
1/16" HARD SHEET

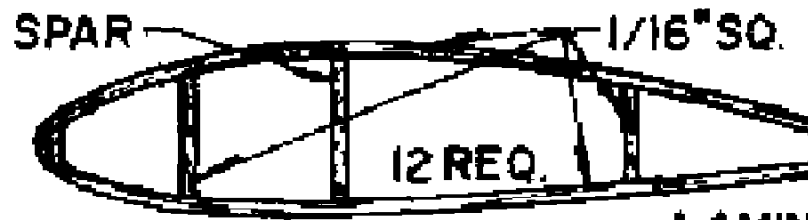


③ THRU ⑩
1/16" MEDIUM HARD
C GRAIN



SCALLOP FORMERS
AFTER
ASSEMBLY

GUN TROUGH,
1/32" SHEET

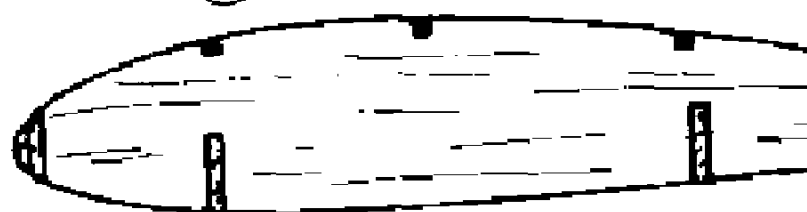


BUILT UP RIBS

LAMIN
2 1/16"



RIB (A) 1/16" HARD SHEET 4

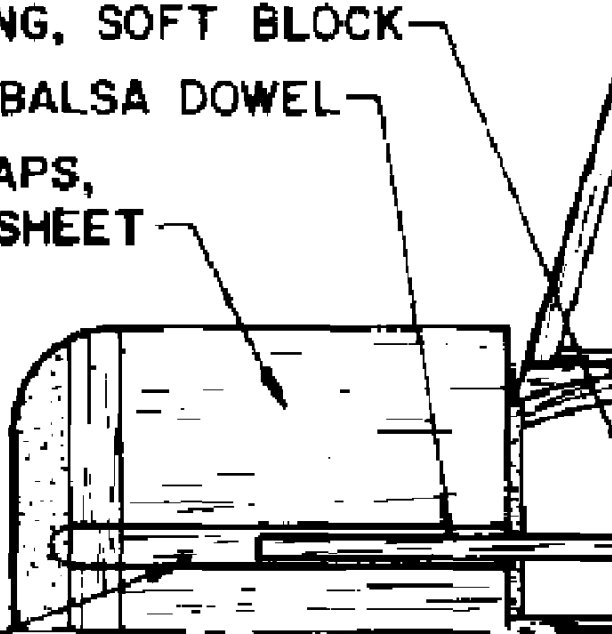


RIB (B) 1/16" HARD SHEET 2 RE

FAIRING, SOFT BLOCK

GUN, BALSA DOWEL

2 WRAPS,
1/32" SHEET



3" SQ. TYR.

LAMINATE
2 1/16" X 1/8"

T 4 REQ.

2 REQ.

RIB (A)

T.E., LAMINATE
2 PIECES 1/8" X 1/16"

SPAR,
1/16" HARD
SHEET

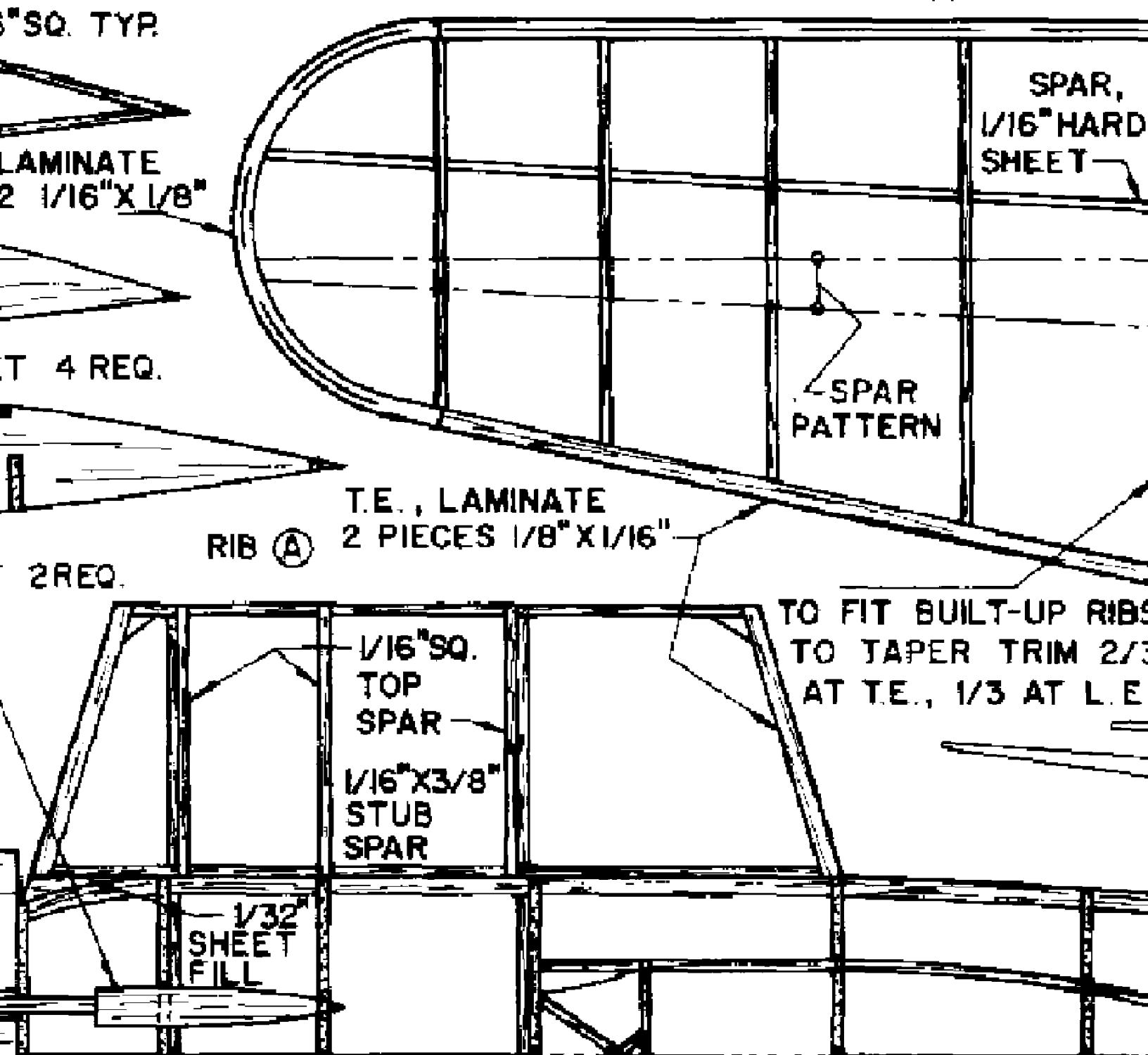
SPAR
PATTERN

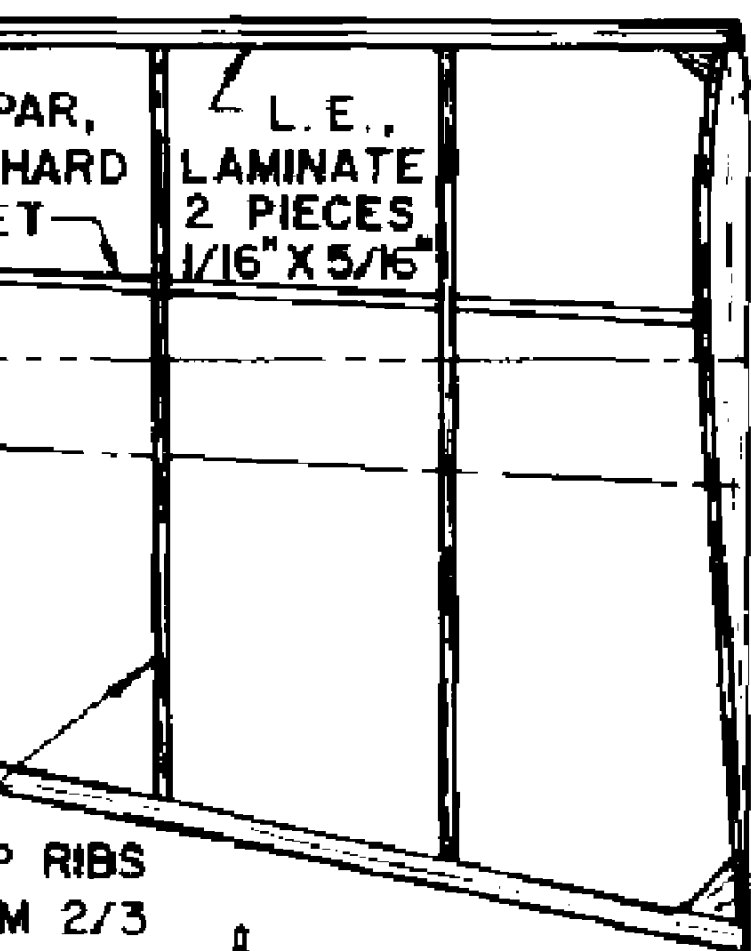
1/16" SQ.
TOP
SPAR

1/16" X 3/8"
STUB
SPAR

1/32"
SHEET
FILL

TO FIT BUILT-UP RIBS
TO TAPER TRIM 2/3
AT T.E., 1/3 AT L.E.

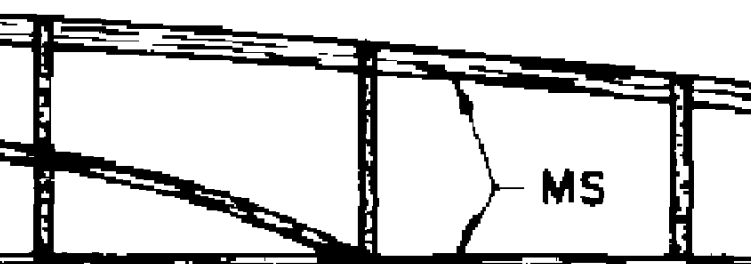
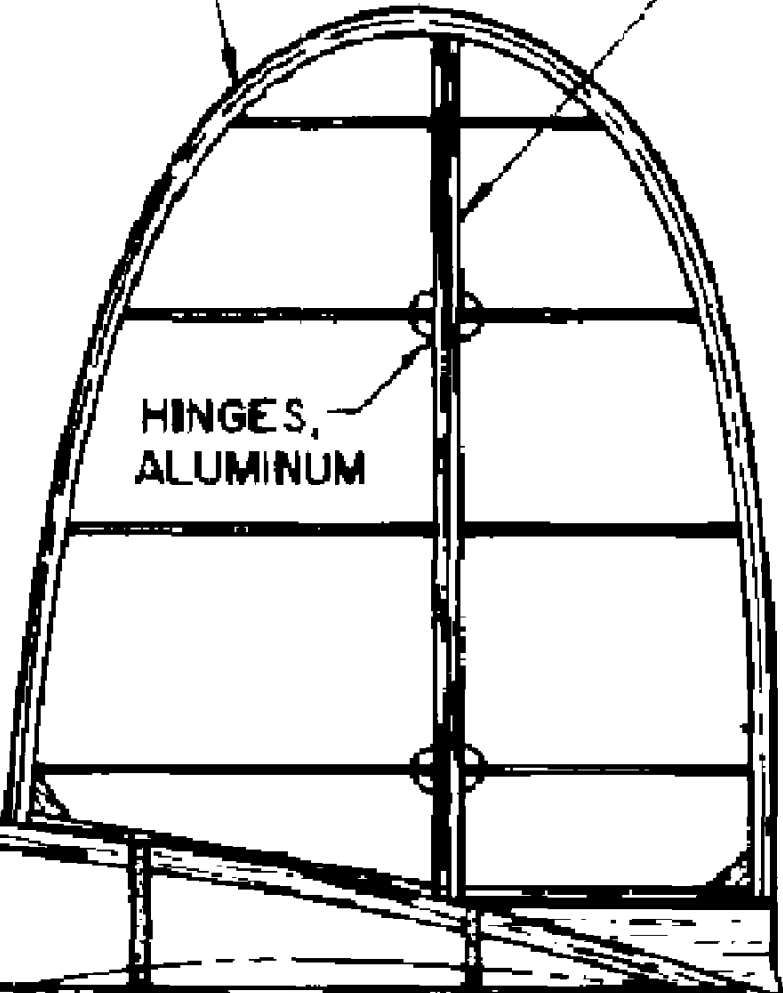
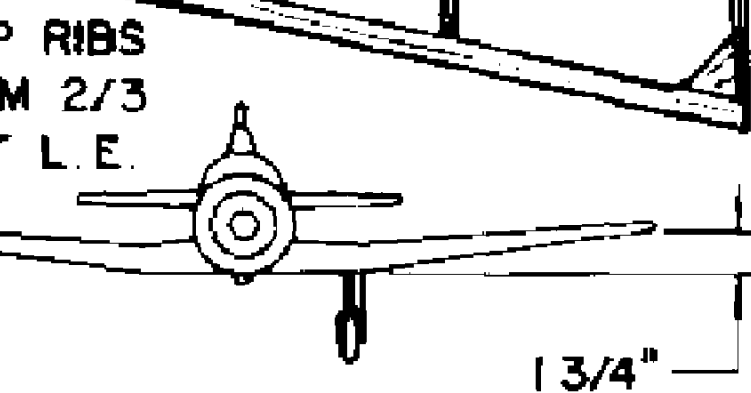




RIB (A) TILT FOR 1 3/4" DIHEDRAL,
AT TIP

LAMINATE 3 PIECES
1/32" X 3/32"

SPAR, 1/16" SHEET
TAPER 3/8" TO 1/8"



SCALLOP FORMERS
AFTER
ASSEMBLY

GUN TROUGH,
1/32" SHEET

1/8" HARD SH
NOSE BLOCK

1/16" SHEET M
3/64" WIRE S

1/4" X 3" DIA.

WILLIAMS
BROS.
CYL.

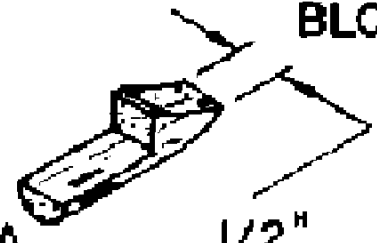
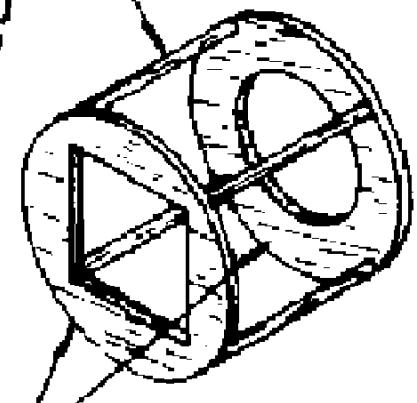
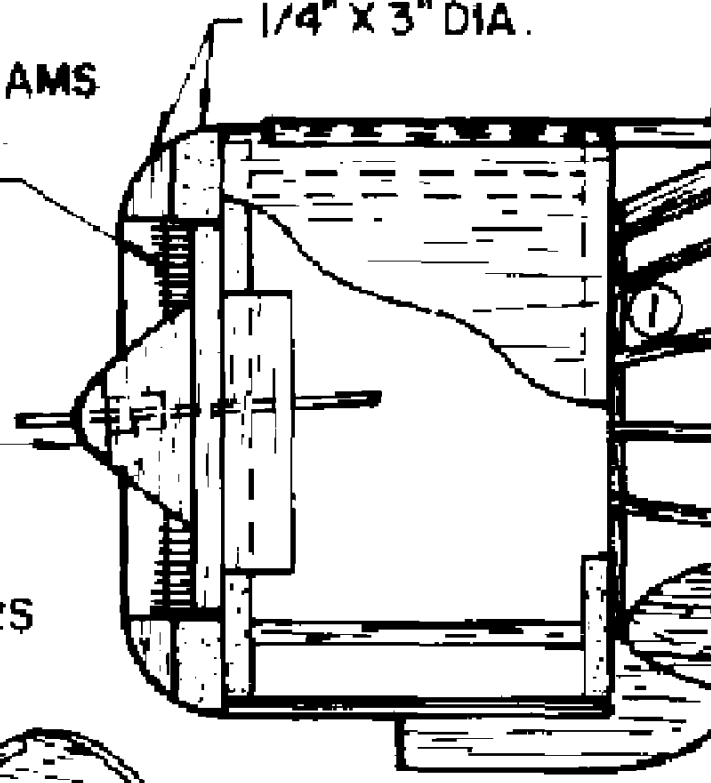
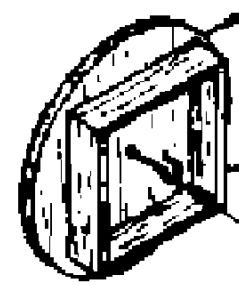
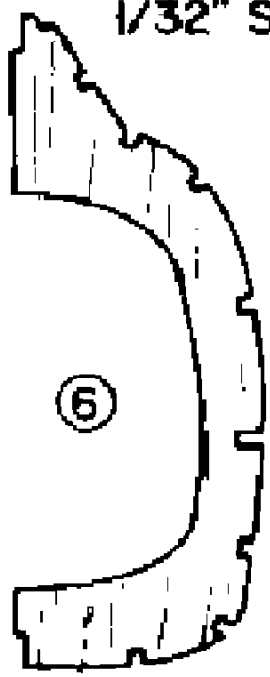
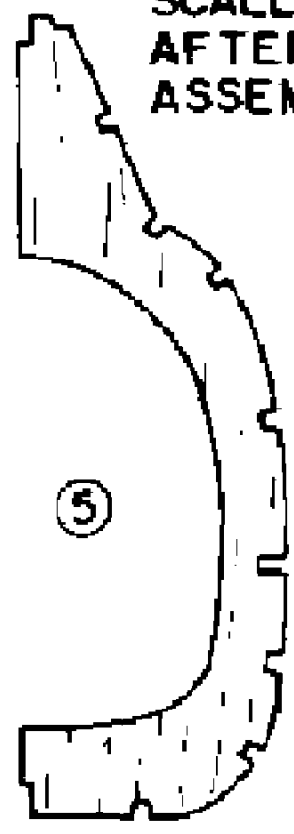
LARGE PECK
THRUST
BEARING

1/8" SQ.
SPACERS

SCOOP,
SOFT
BLOCK

1/8" X 2 15/16" DIA.
HARD SHEET

1/2"



RO SHEET
BLOCK, 2 1/16" DIA.

MS = MASTER STRINGER
LAMINATE 2 1/16" SQ.

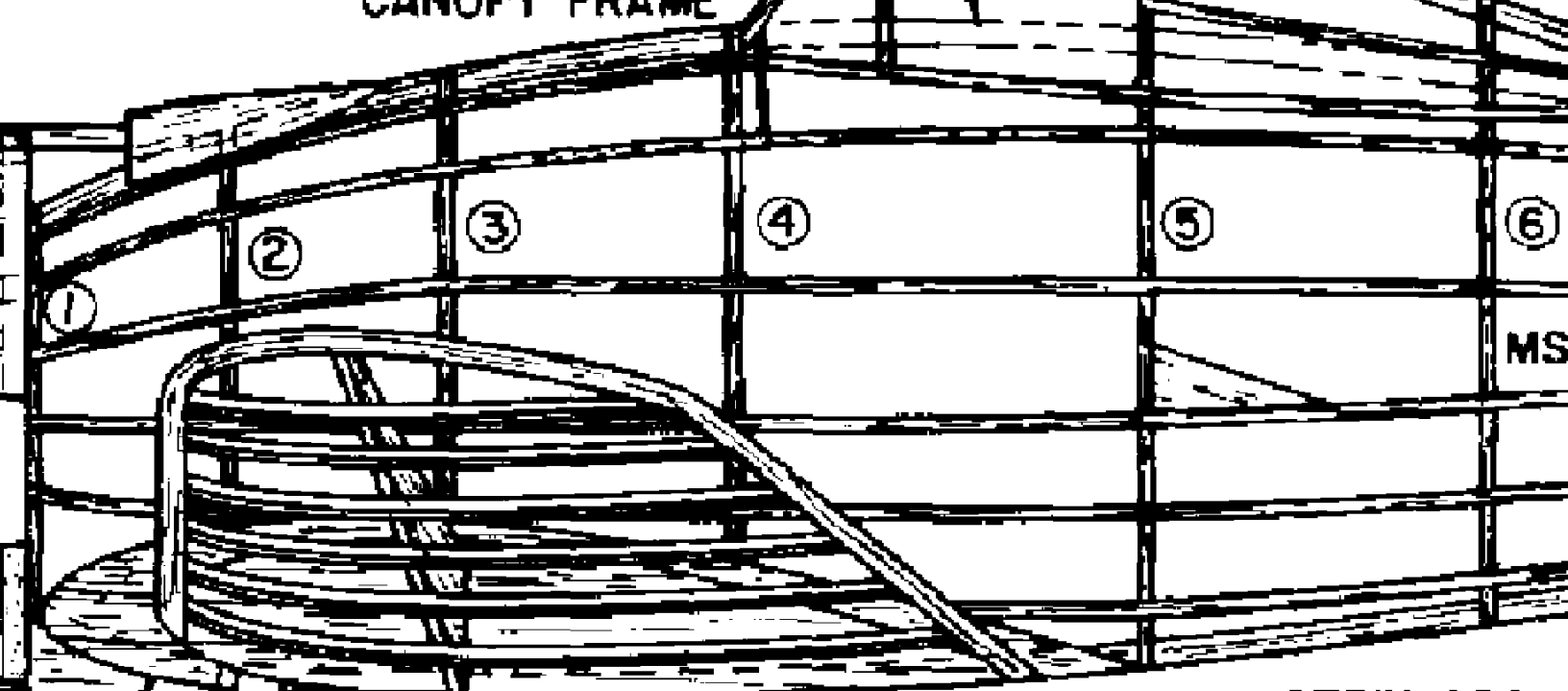
HEET NOSE KEY
WIRE SHAFT

CANOPY FRAME

CUT
OUT
MS

MS

MS



STRINGERS,

DOOR,
FT
LOCK

L.G. DOOR

WING FILLET BLOCK DETAIL
(SHEET MAY ALSO BE USED)



PROP: 9 1/2" DIA. PECK
RUBBER: 2 LOOPS 3/16" FAI

REFERENCES: PROFILE PUBLICATION # 18
AIRPOWER NOV. 1977

1 5/8"



