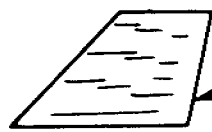
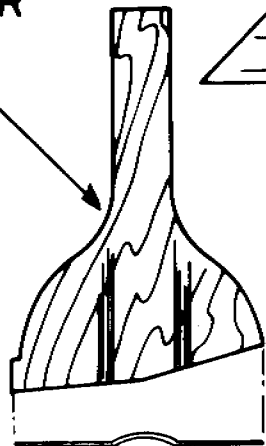
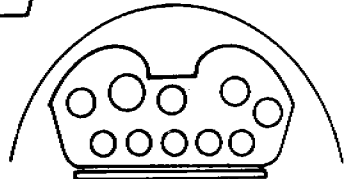


L.G. COVER
1/64" PLY



DIHEDRAL
GAUGE



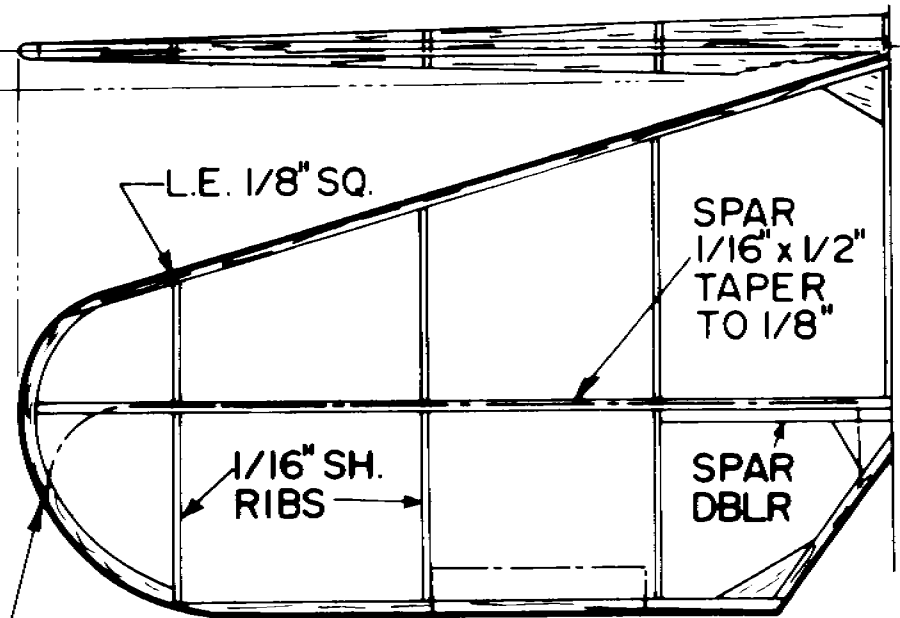
FUSELAGE WING BRACE
1/8" MED. HD. Balsa



DIHEDRAL BRACE
1/16" HD. Balsa



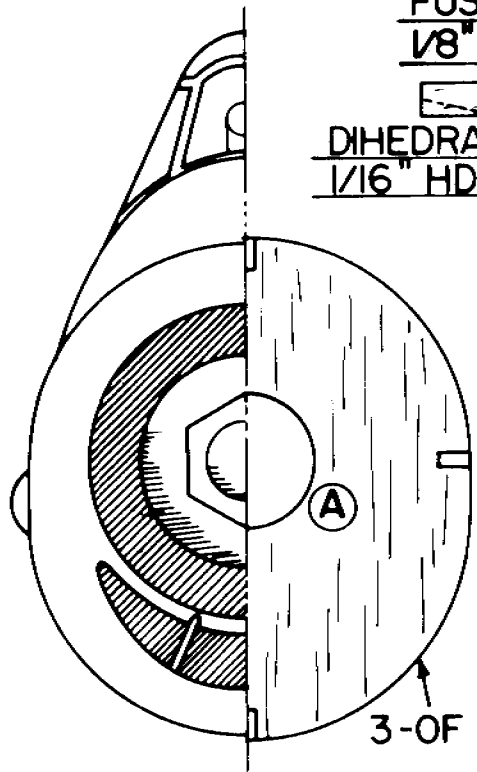
(4) 1/32" x 1/8" ALL FORMERS
LAMINATED 1/16" SHEET



SOFT
BLOCK

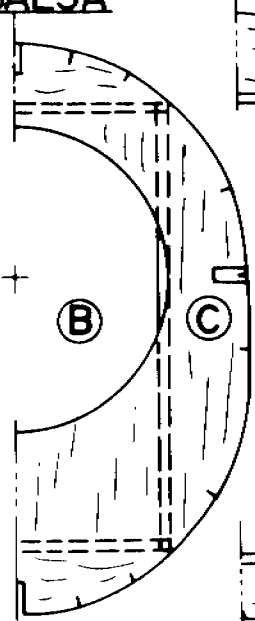


T.E. 1/8" SQ.



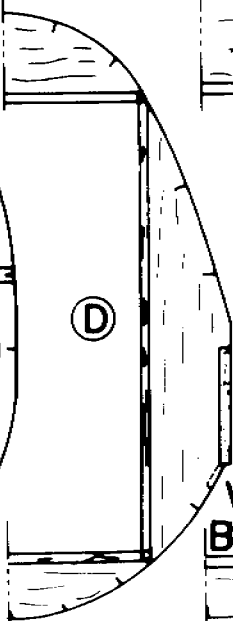
A

3-OF

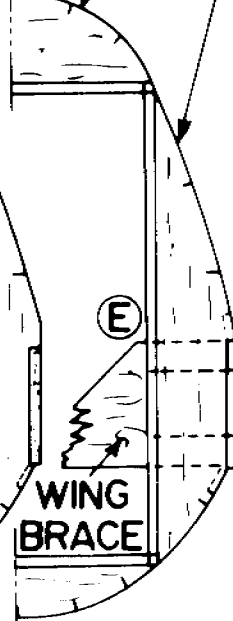


B

C

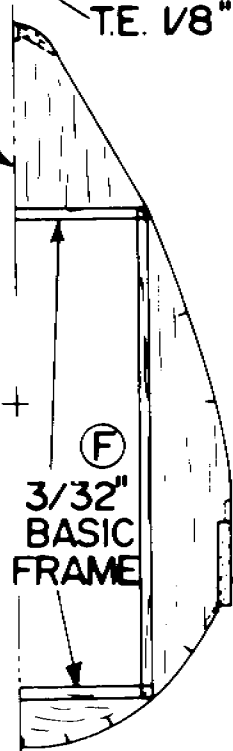


D



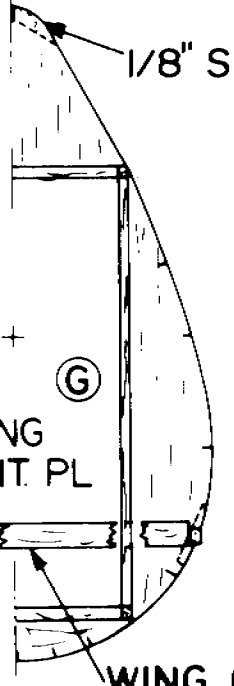
E

WING
BRACE



F

3/32" BASIC
FRAME



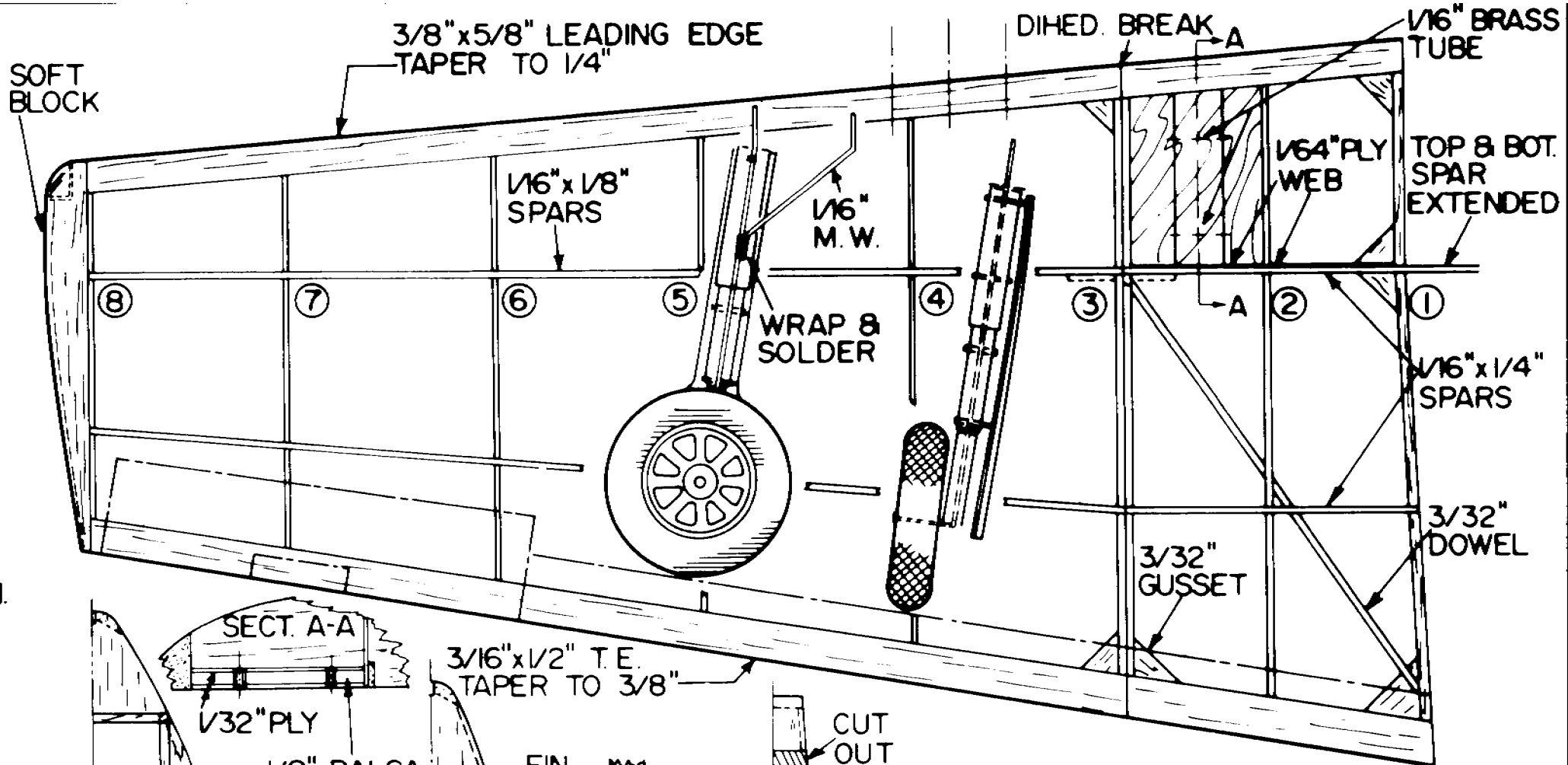
G

WING
MNT. PL

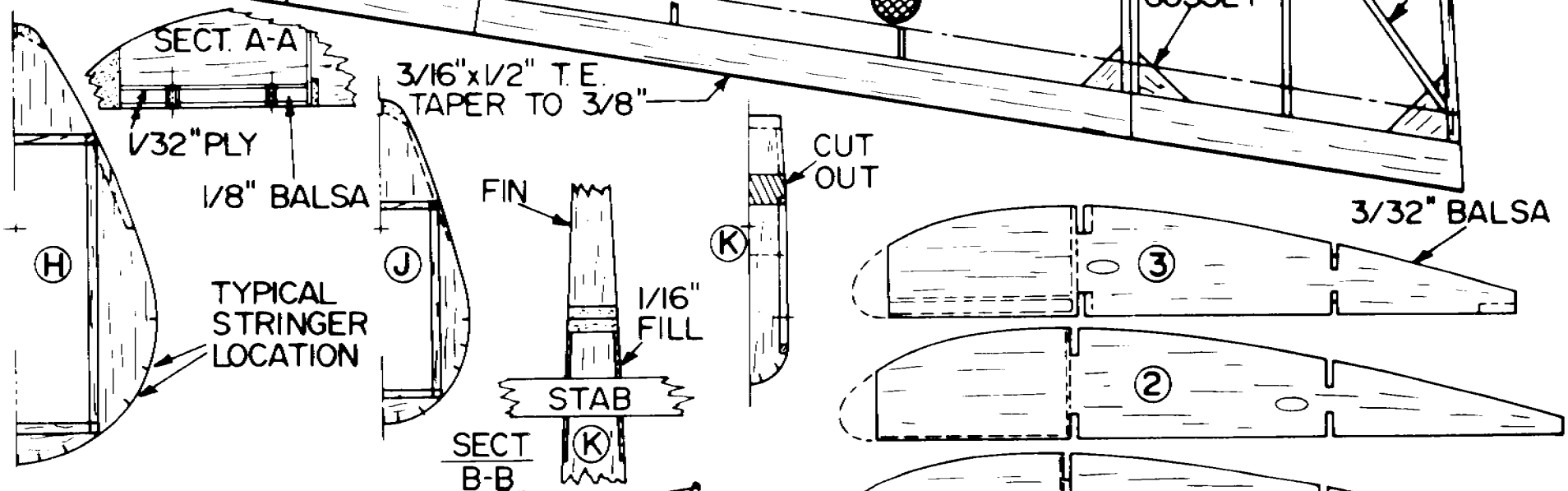
1/8" SH.

WING COMPRE

(1) 1/4" x 1/8"



H.



COMPRESSION

(4) 1/4" x 1/8"
AT 90° INT.

3-OF

WING
BRACE

WING COMPRE
BRACE 1/8" x 1/4"

(A)

(B)

(C)

(D)

(E)

(F)

(G)

(H)

1/16" SHT. FILL

BALSA
BLOCK

1/16" x 1/8"
TYP. STRING.

1/16" SHEET

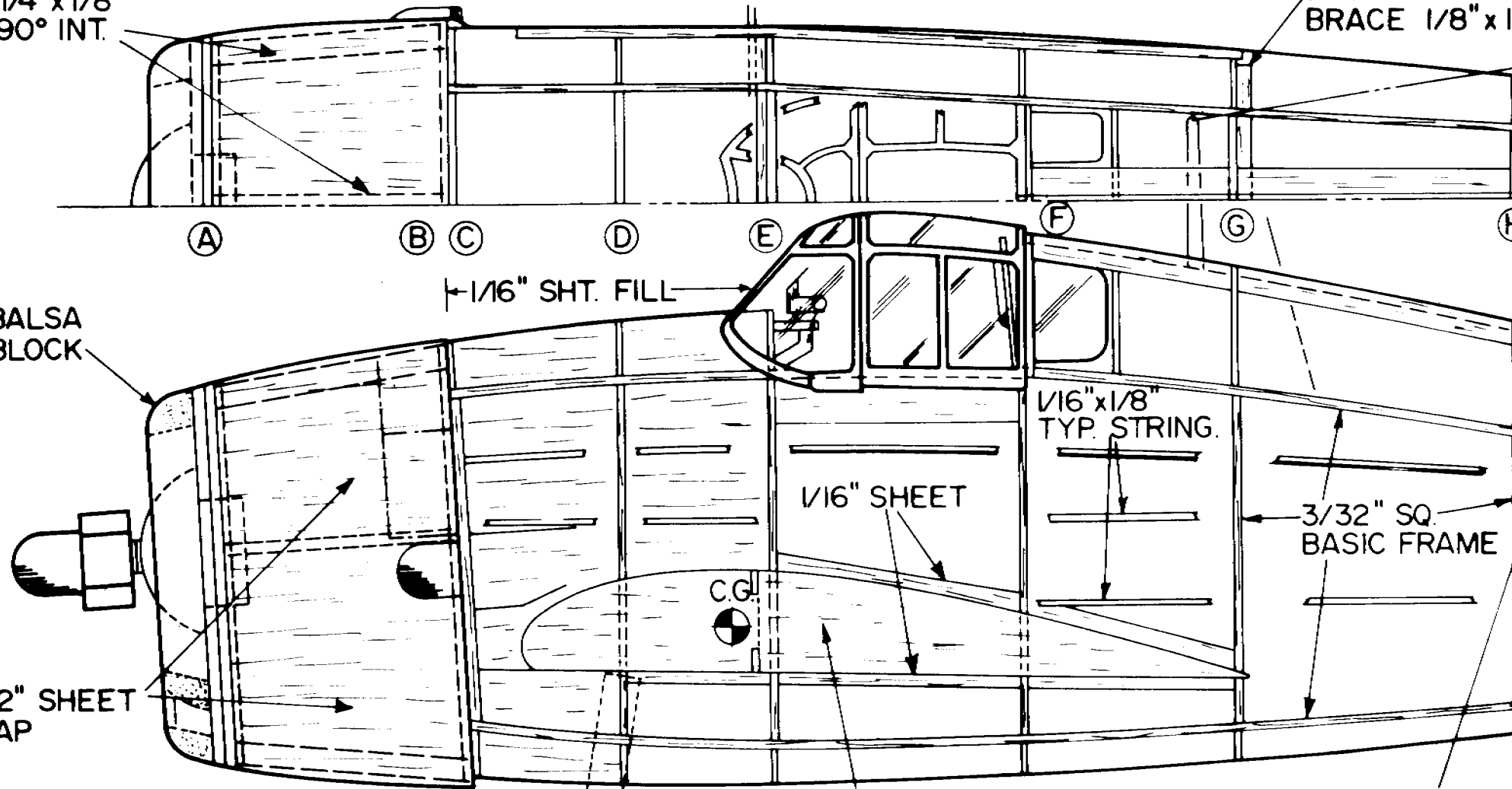
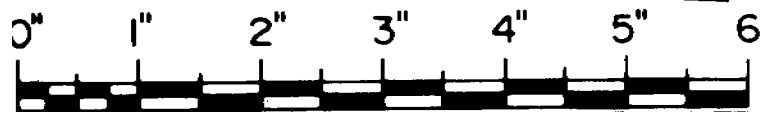
3/32" SQ.
BASIC FRAME

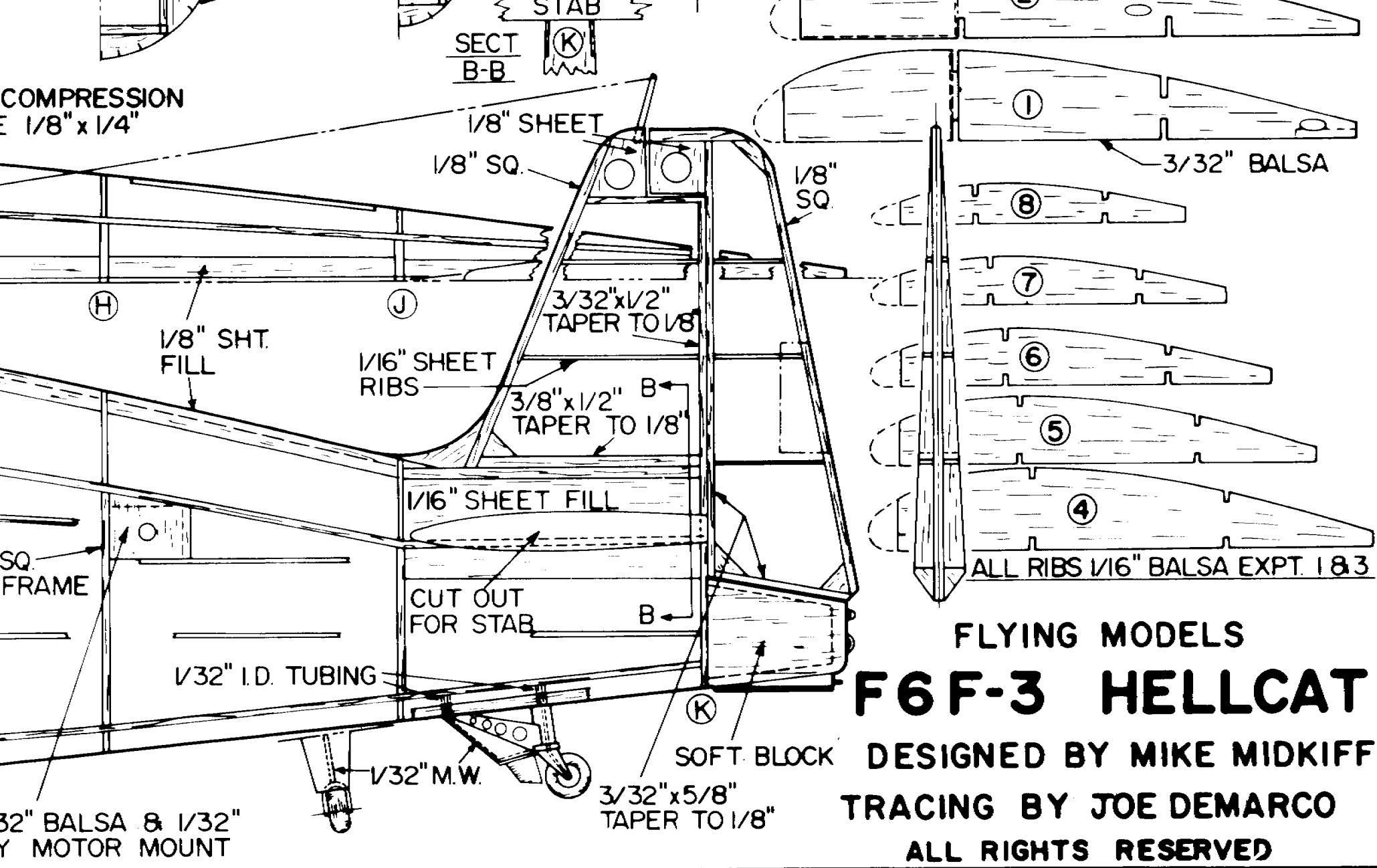
C.G.

3/32" SHEET
WRAP

3/32" WING MOUNT

3/32" BALS
PLY MOTOR





FLYING MODELS
F6F-3 HELLCAT
 DESIGNED BY MIKE MIDKIFF
 TRACING BY JOE DEMARCO
 ALL RIGHTS RESERVED