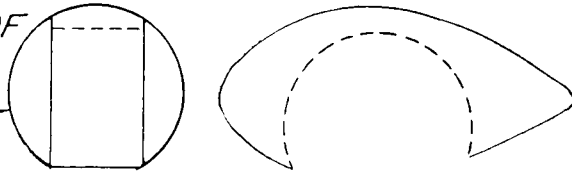


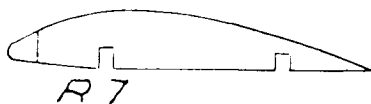
POSITION OF
PANT
COVER



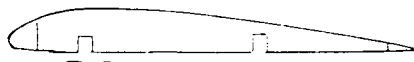
PANT COVER $\frac{1}{4}$ " THICK
CORE $\frac{1}{2}$ " THICK

CURTISS HAWK P-6E

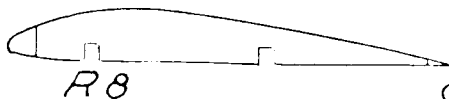
RAINEY MODEL SUPPLY COMPANY



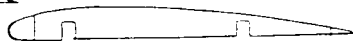
R7



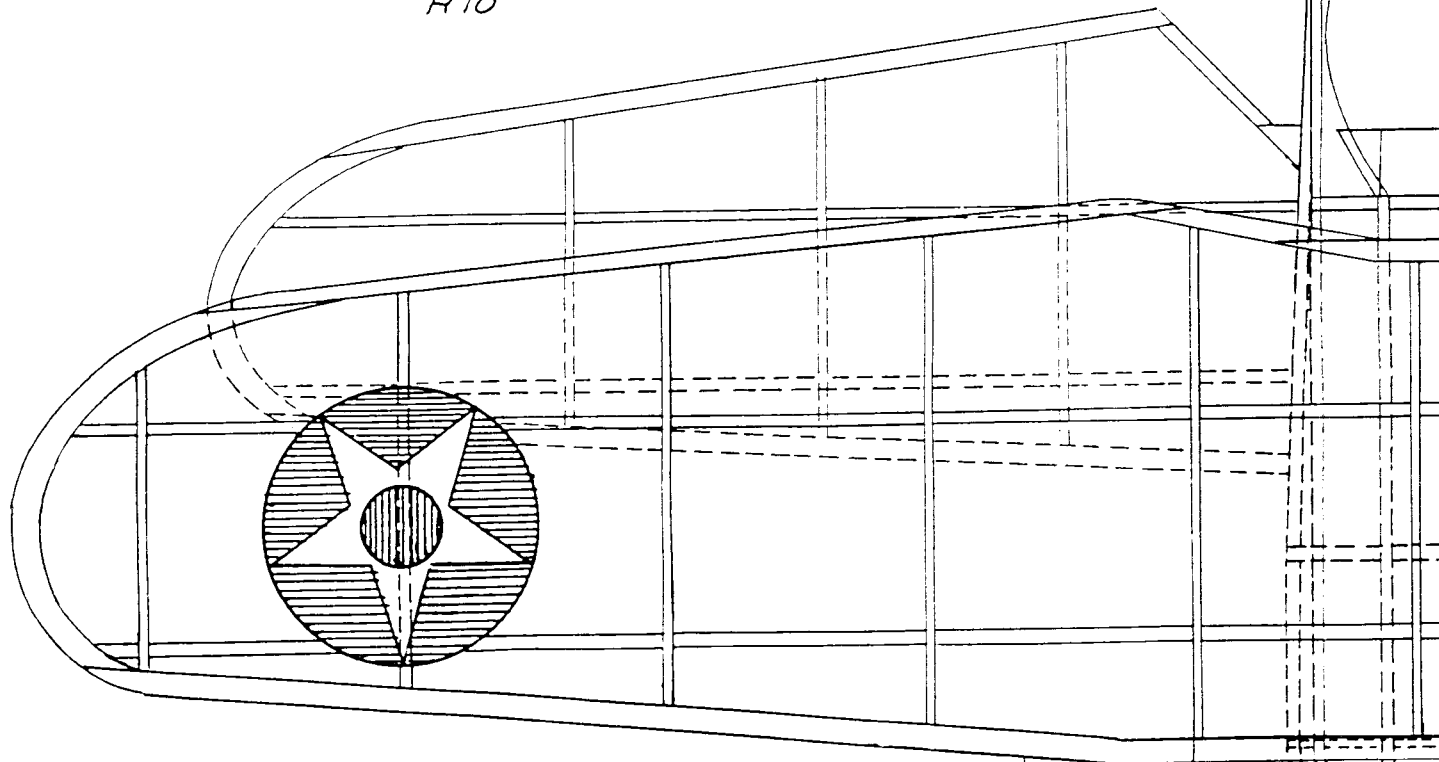
R9



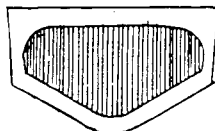
R8



R10



FRONT VIEW



RADIATOR

IF MODEL STALLS
CEMENT A SMALL
WEIGHT INSIDE
OF NOSE.
IF MODEL DIVES
WARP ELEVATORS UP.

R6

R5

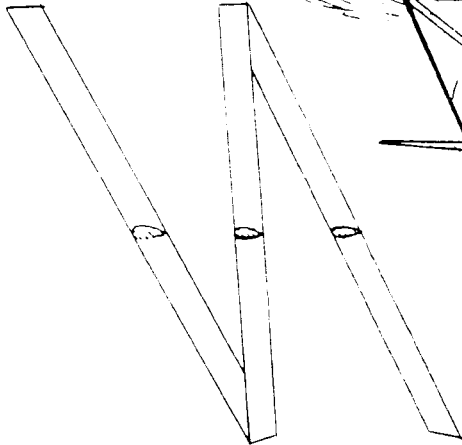
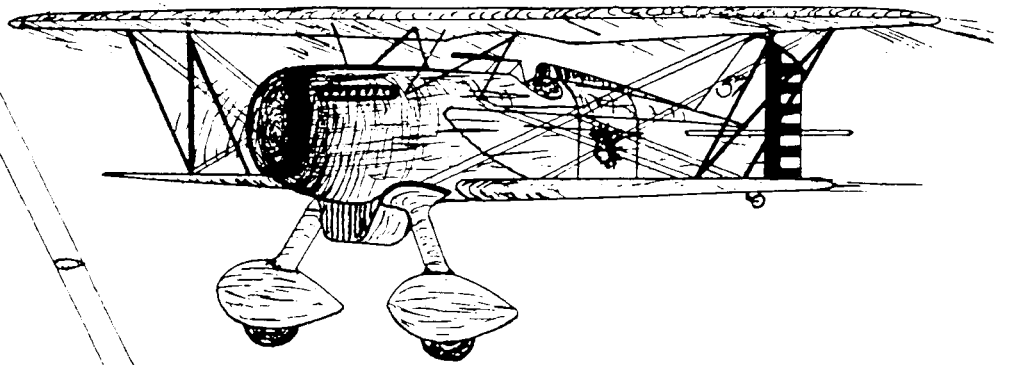
R4

R3

R2

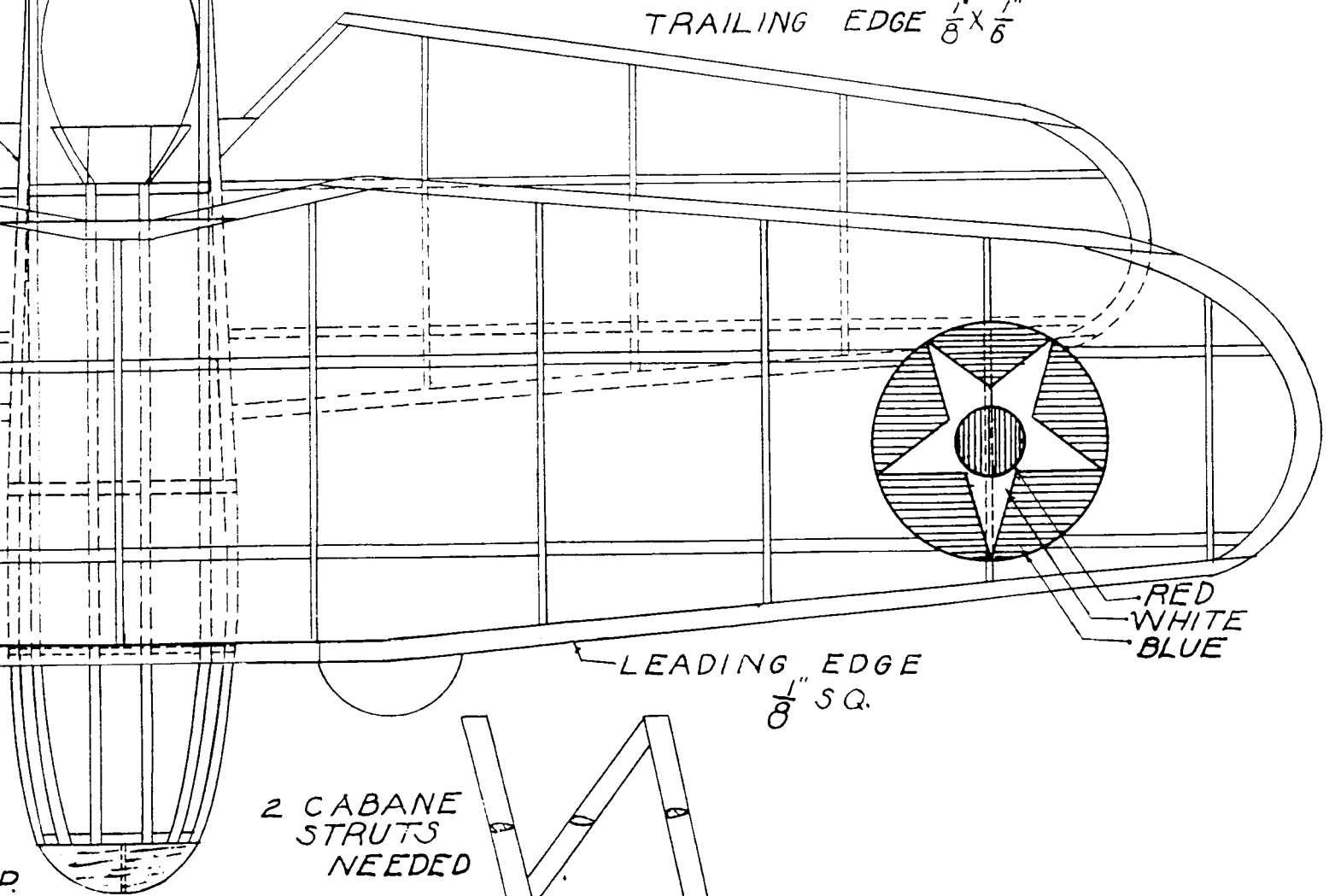
R1

COLOR SCHEME
BODY - OLIVE DRAB
WING AND TAIL - YELLOW



WING STRUT

TRAILING EDGE $\frac{1}{8} \times \frac{1}{8}$



2 CABANE
STRUTS
NEEDED

LEADING EDGE
 $\frac{1}{8}$ " SQ.

RED
WHITE
BLUE

P.

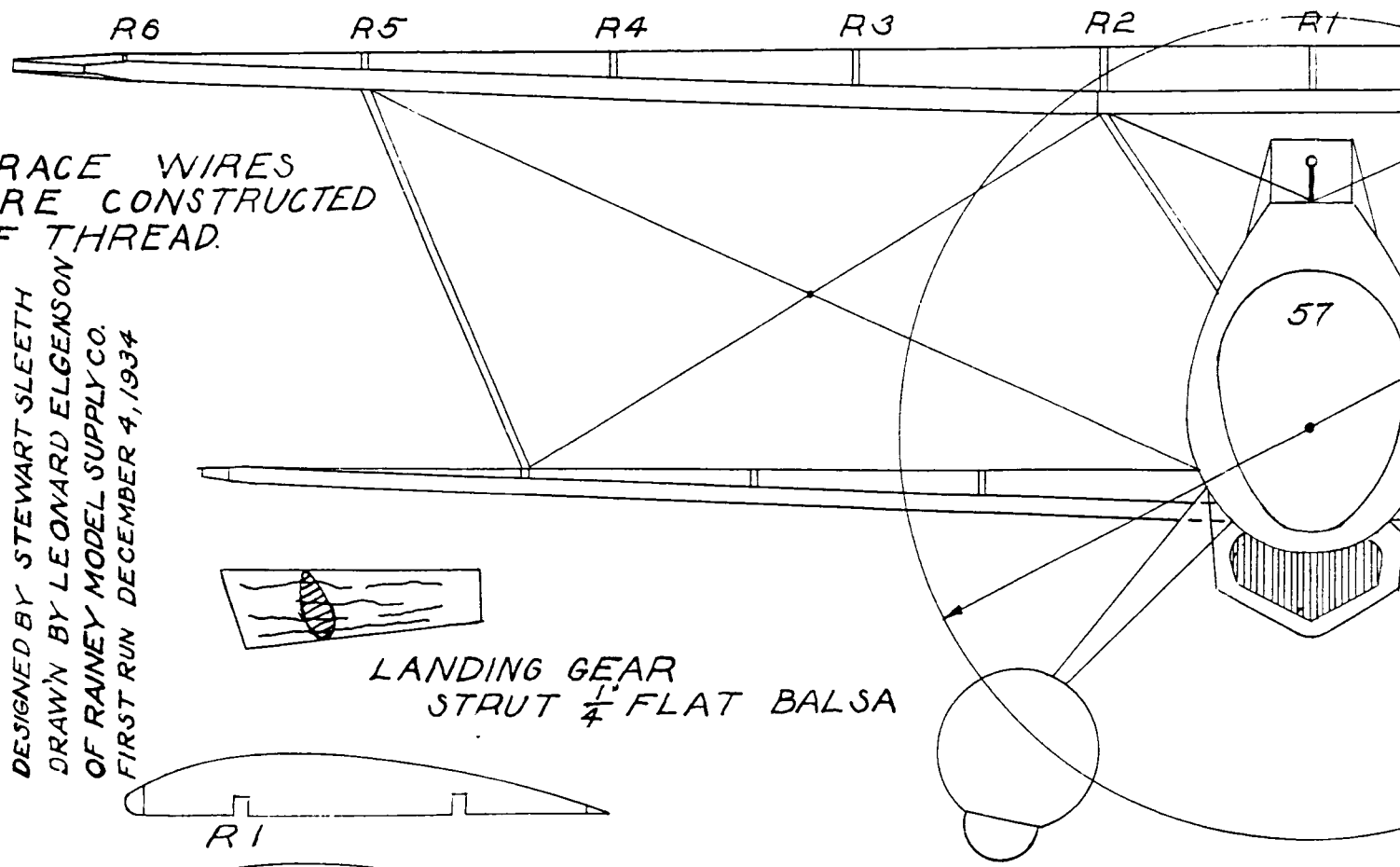
RT

RADIATOR

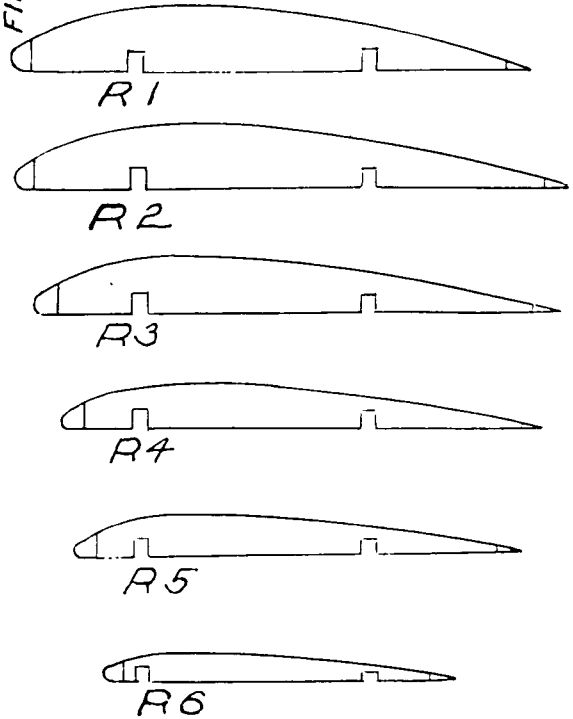
OF NOSE.
IF MODEL DIVES
WARP ELEVATORS UP.

BRACE WIRES
ARE CONSTRUCTED
OF THREAD.

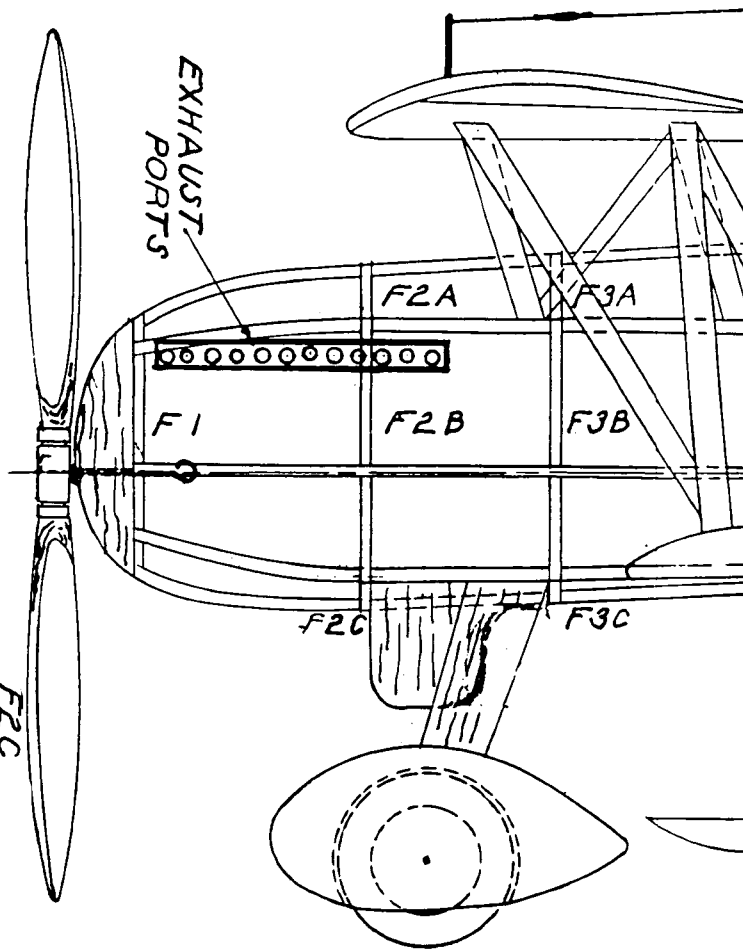
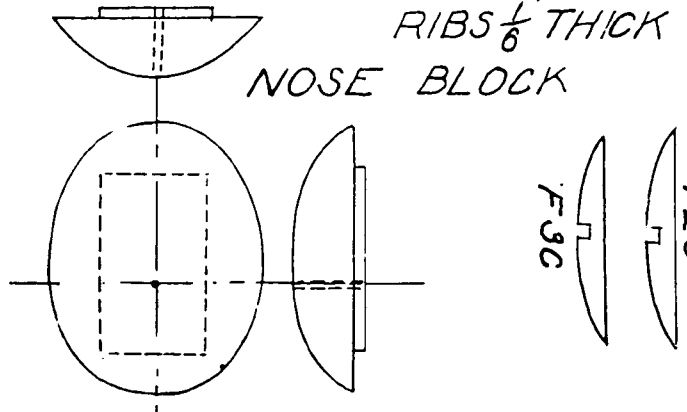
DESIGNED BY STEWART SLEETH
DRAWN BY LEONARD ELGENSON
OF RAINEY MODEL SUPPLY CO.
FIRST RUN DECEMBER 4, 1934



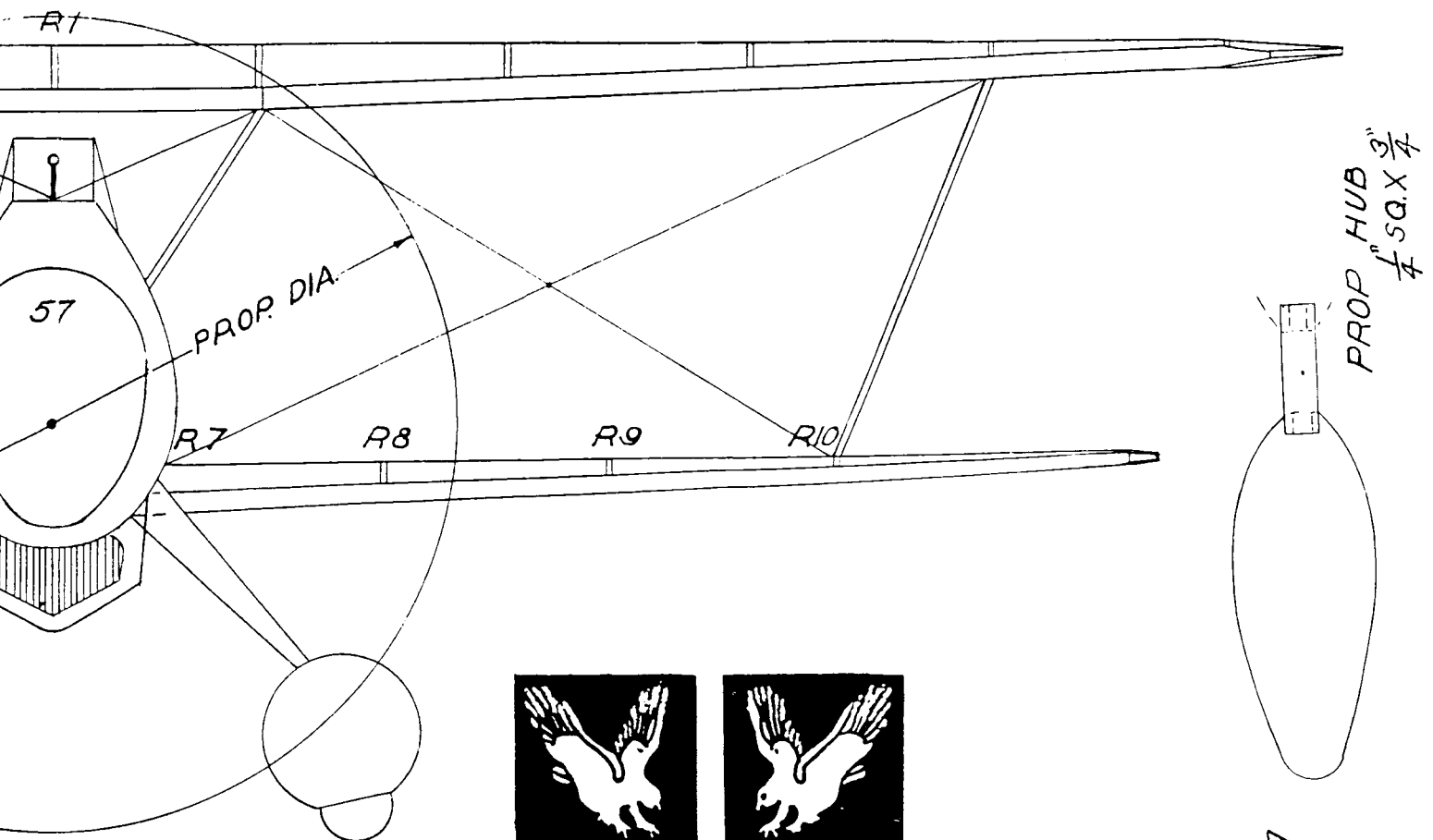
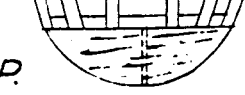
LANDING GEAR
STRUT $\frac{1}{4}$ FLAT BALSA



RIBS $\frac{1}{8}$ THICK
NOSE BLOCK



STRUTS
NEEDED



RADIO ANTENNA

