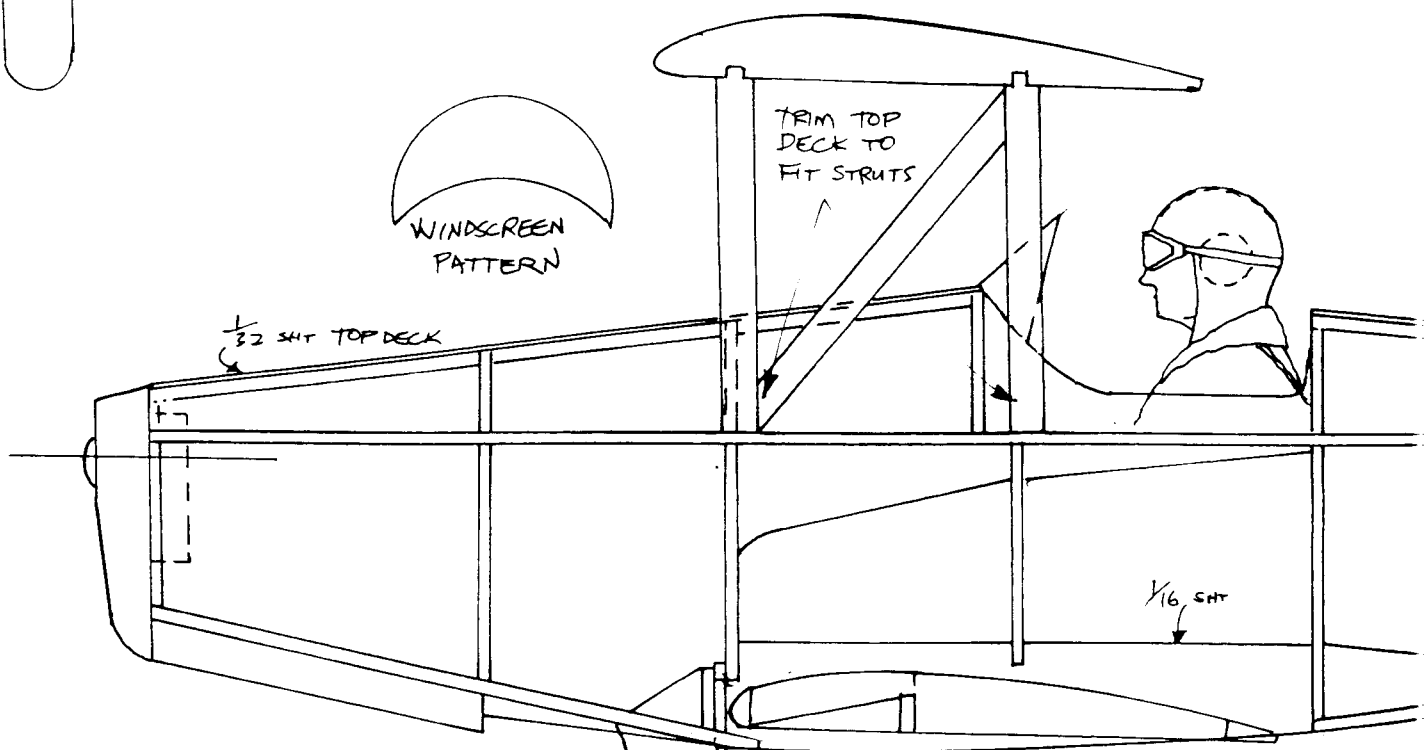


TRIM TOP  
DECK TO  
FIT STRUTS

$\frac{1}{32}$  SHIP TOP DECK

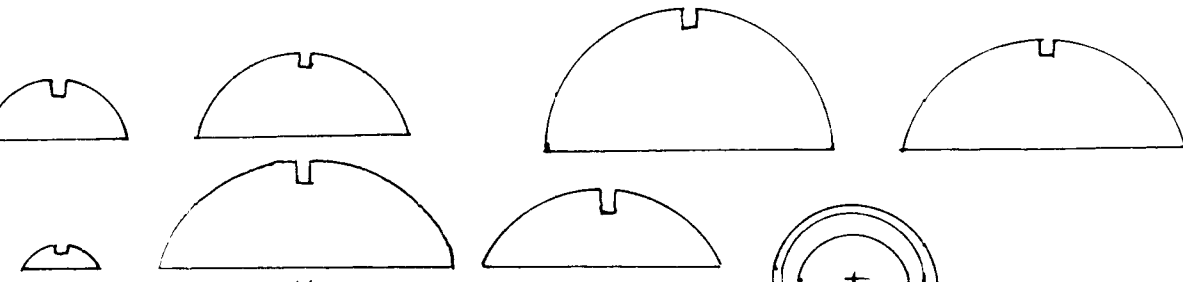
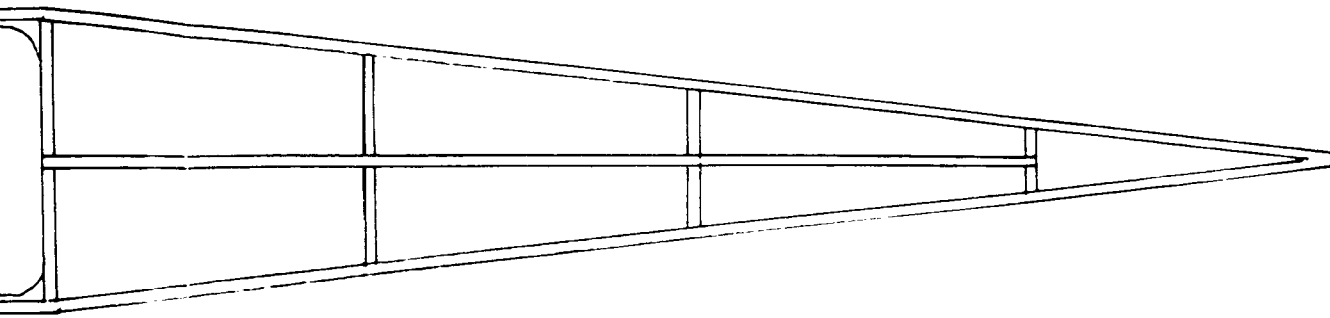


$\frac{1}{16}$  SHIP

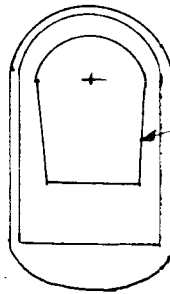
CURRIE WOT  
Rubber Scale  
Designed & drawn by  
LLOYD WILLIS 2000

Sheet 1.

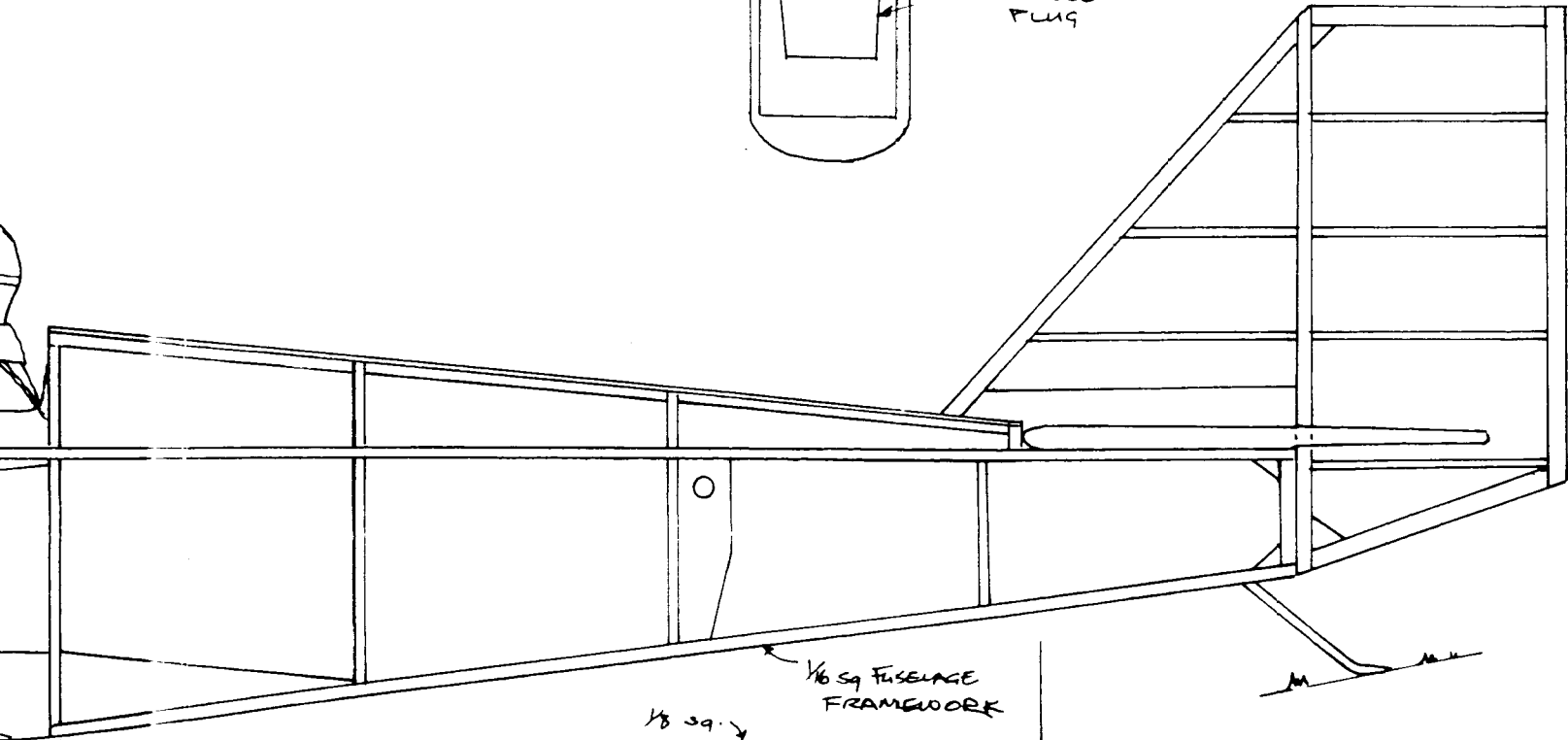
J.W. 1/11



FORMERS 1/6 SHT.

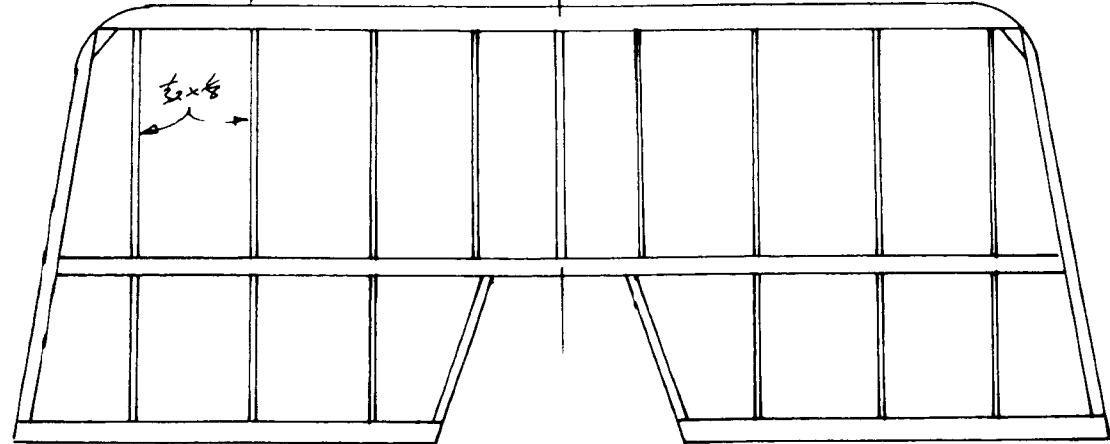


- NOSE BLOCK PLUG

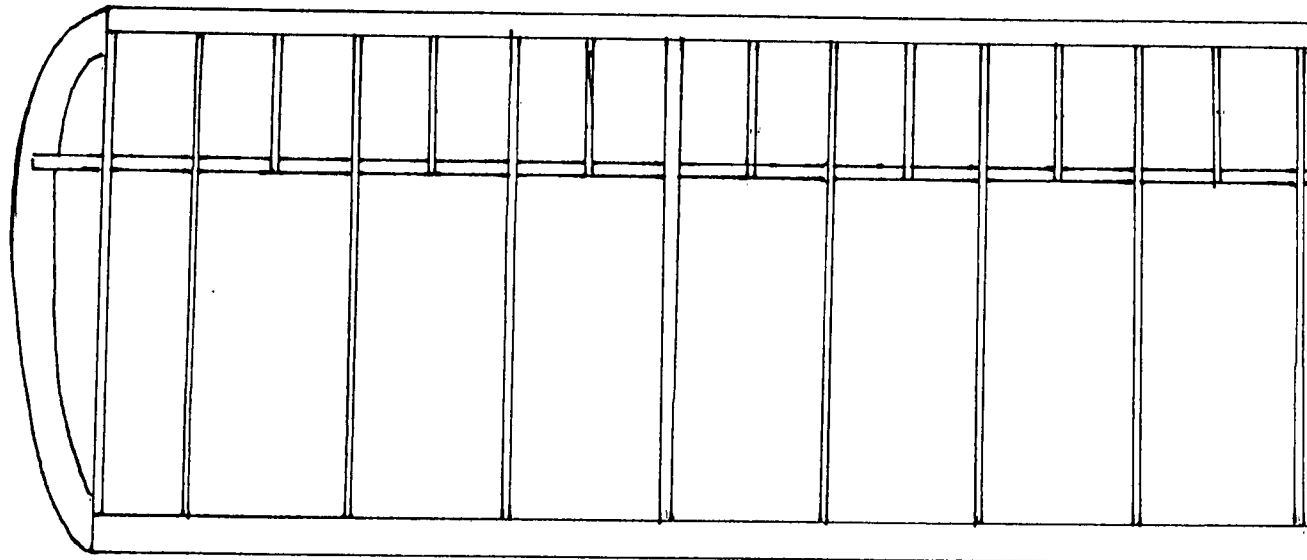


1/6 sq FUSELAGE FRAMEWORK

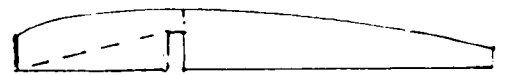
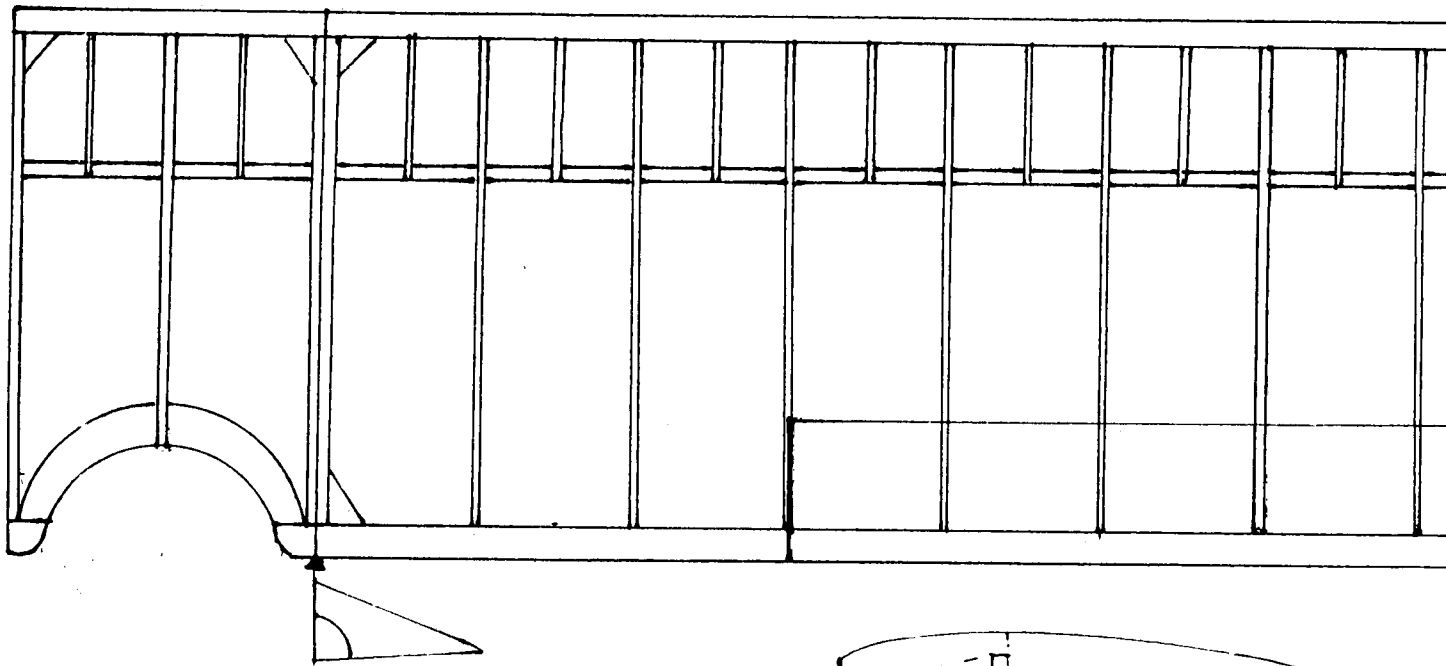
WOT  
c  
drawn by  
LIG 2000



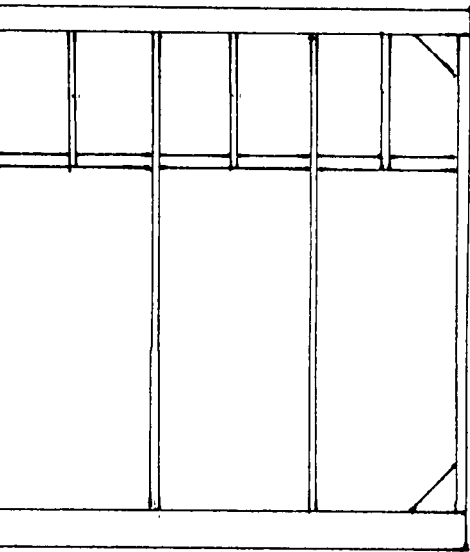
1/8 sq



CURRIE WOT Sheet 2

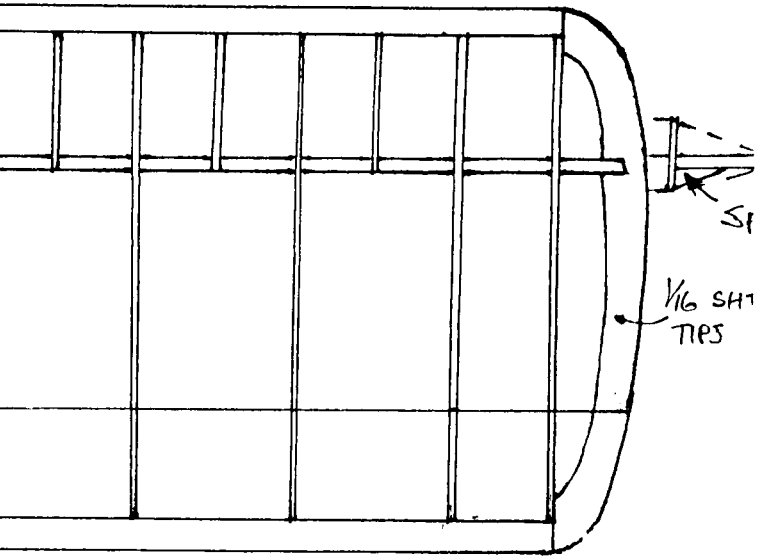


RIB PATTERN



lower wing only

set 2



SI

VIG SH1 TIPS

12 mm  
DIHEDRAL  
BOTH  
WINGS

Lloyd