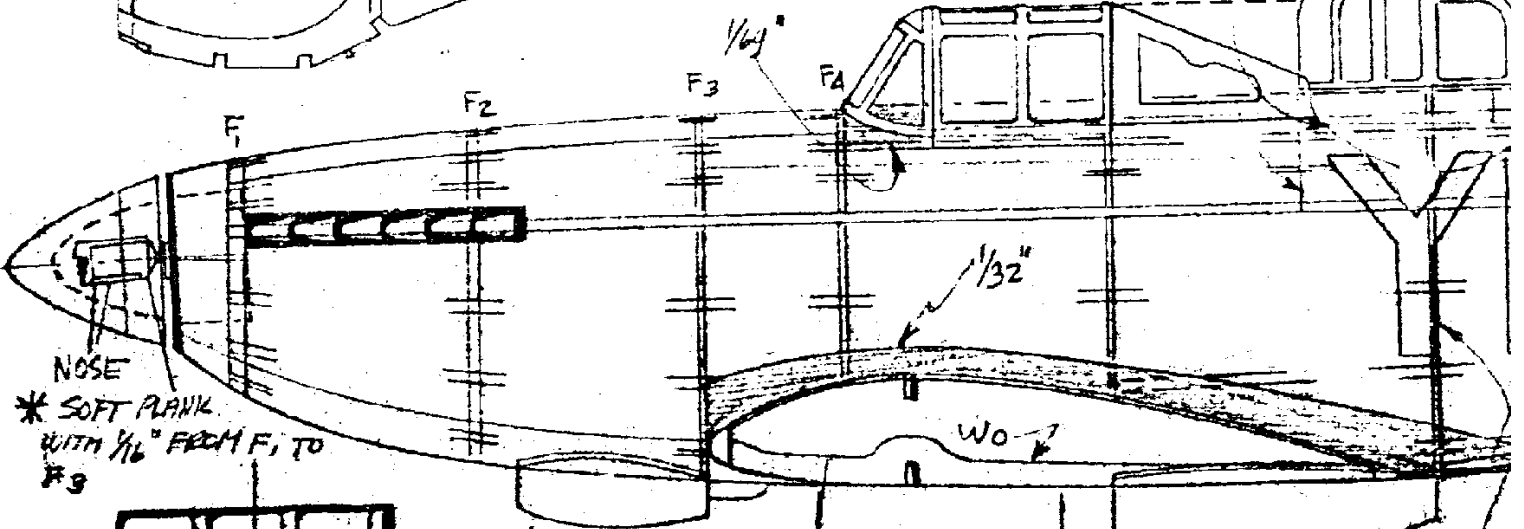
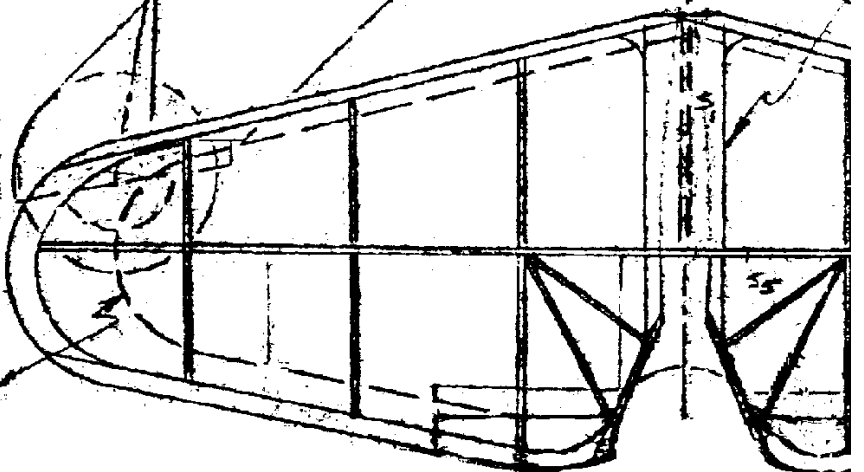
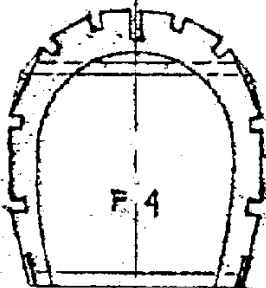
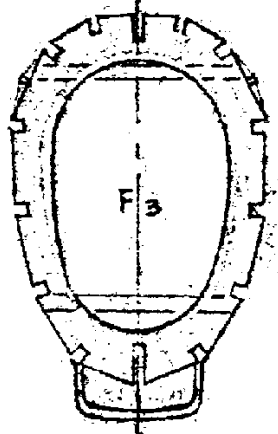


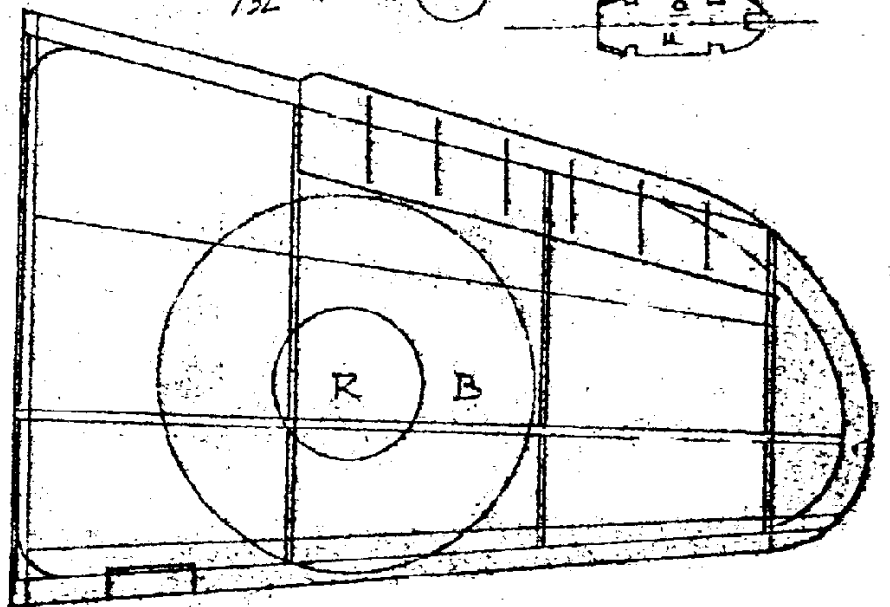
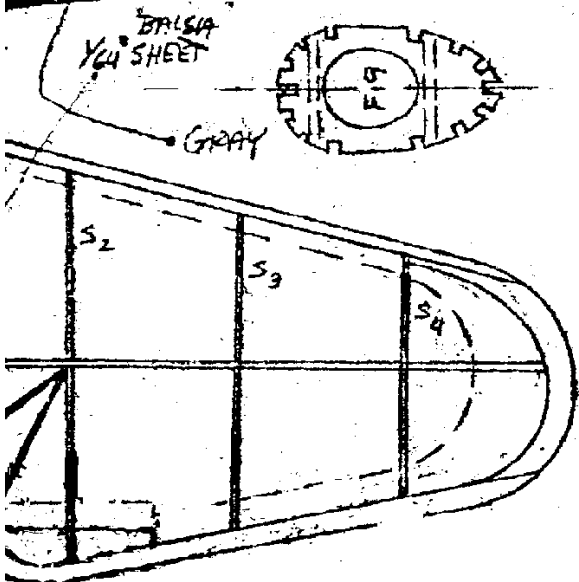
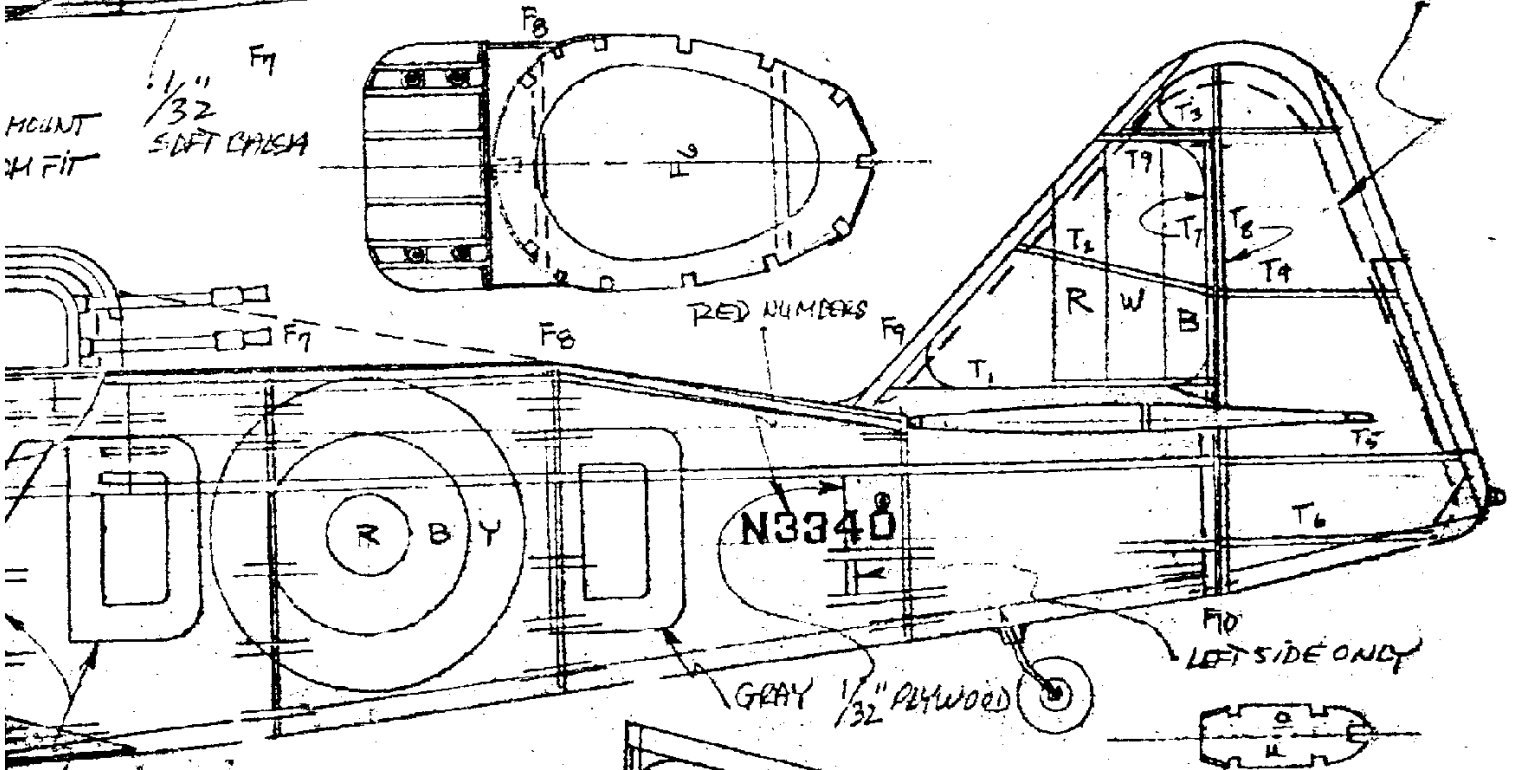
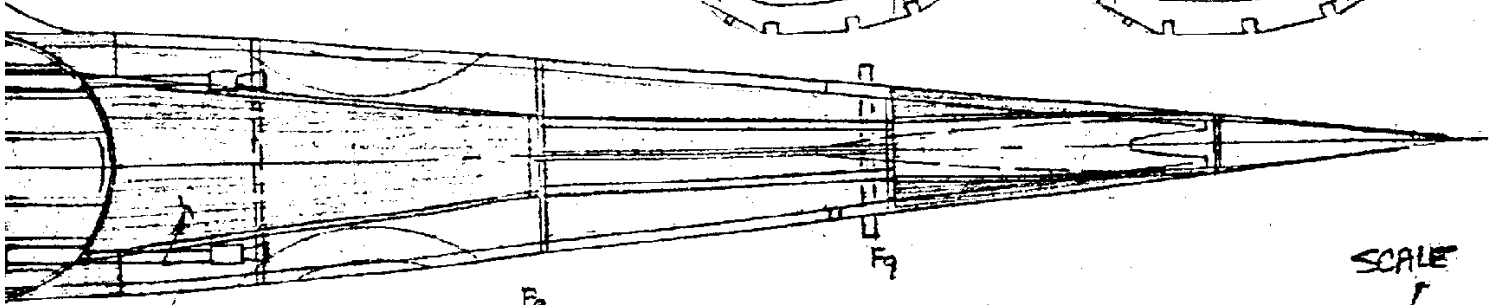
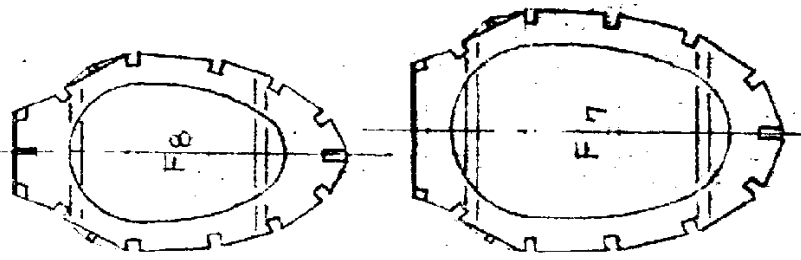
1/32" TURRET MOUN  
1/4" Balsa CUSTOM FIT

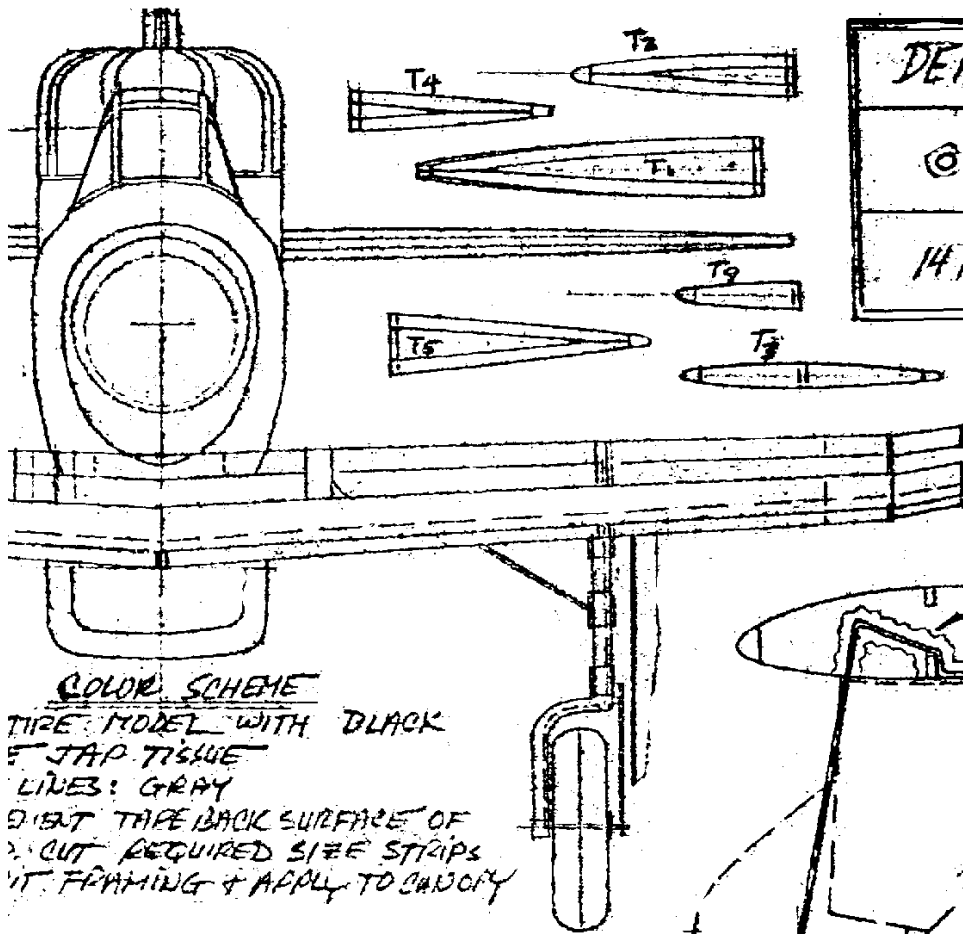


NOSE  
\* SOFT PLANK  
WITH 1/16" FROM F1 TO  
F3



SCALE





DEFIANT EMK.1 ~~BOAT~~ ~~MODEL~~  
 © R. PRESTON BIRNIDGE  
 14 NOV. 1971 REF: CAMBRIDGE, MASSACHUSETTS & BOSTON, MASSACHUSETTS

