

1/16TH X 1/8TH
TIP RIB

D
MOVABLE SURFACE
CONSTRUCTION
I. E. 1/8TH SQ.

AILERON

ELEVATOR

BALSA
BLOCK
TIP

A

B

C

D

D

D

1/16TH X 1/8TH

TIP RIB

D

MOVABLE SURFACE
CONSTRUCTION

I. E. 1/8TH SQ.

D

A

B

B

C

D

D

D

1/16TH X 1/8TH

TIP RIB

D

MOVABLE SURFACE
CONSTRUCTION

I. E. 1/8TH SQ.

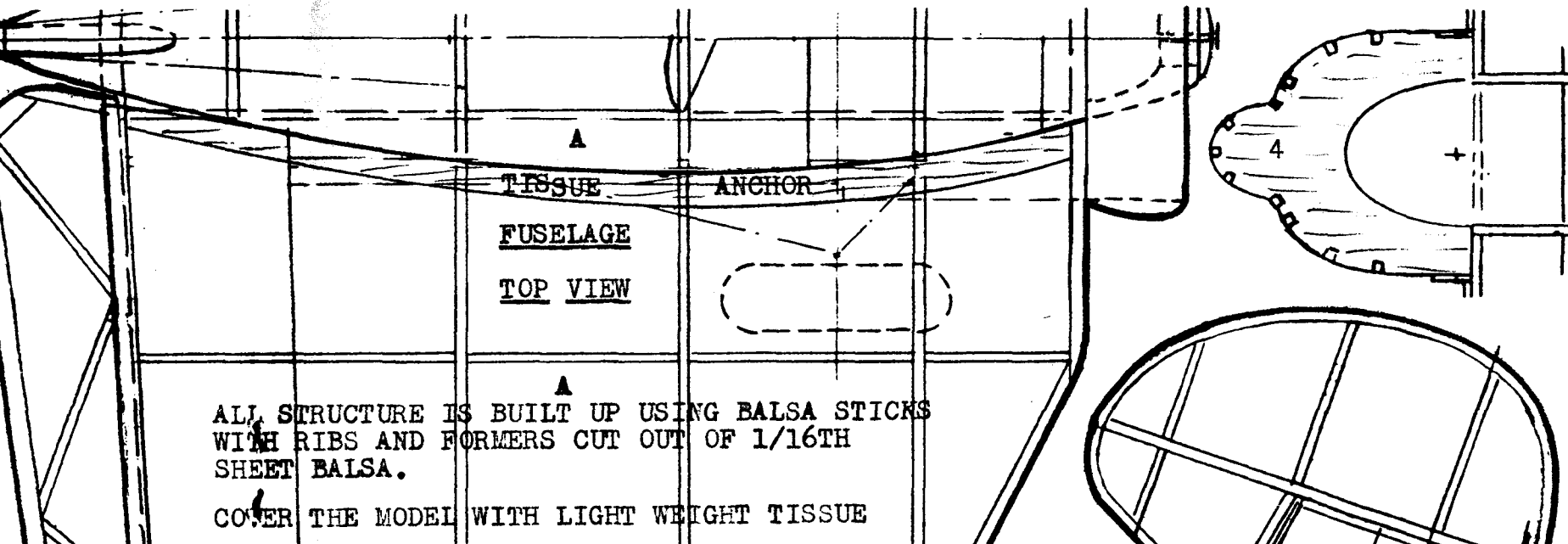
AILERON

ELEVATOR

BALSA
BLOCK
TIP

A

B



▲
TISSUE ANCHOR

FUSELAGE

TOP VIEW

▲
ALL STRUCTURE IS BUILT UP USING Balsa STICKS
WITH RIBS AND FORMERS CUT OUT OF 1/16TH
SHEET Balsa.

COVER THE MODEL WITH LIGHT WEIGHT TISSUE

D
MOVABLE SURFACE
CONSTRUCTION:
L.E. 1/8TH SQ.
RIBS 1/16TH BY
1/8TH
T.E. 1/16TH BY
1/8TH

C
WING CONSTRUCTION:
L.E. 1/4TH BY 1/8TH HARD Balsa
SPARS 1/16TH SQUARE HARD Balsa
T.E. 1/16TH BY 1/8TH Balsa

LEFT WING

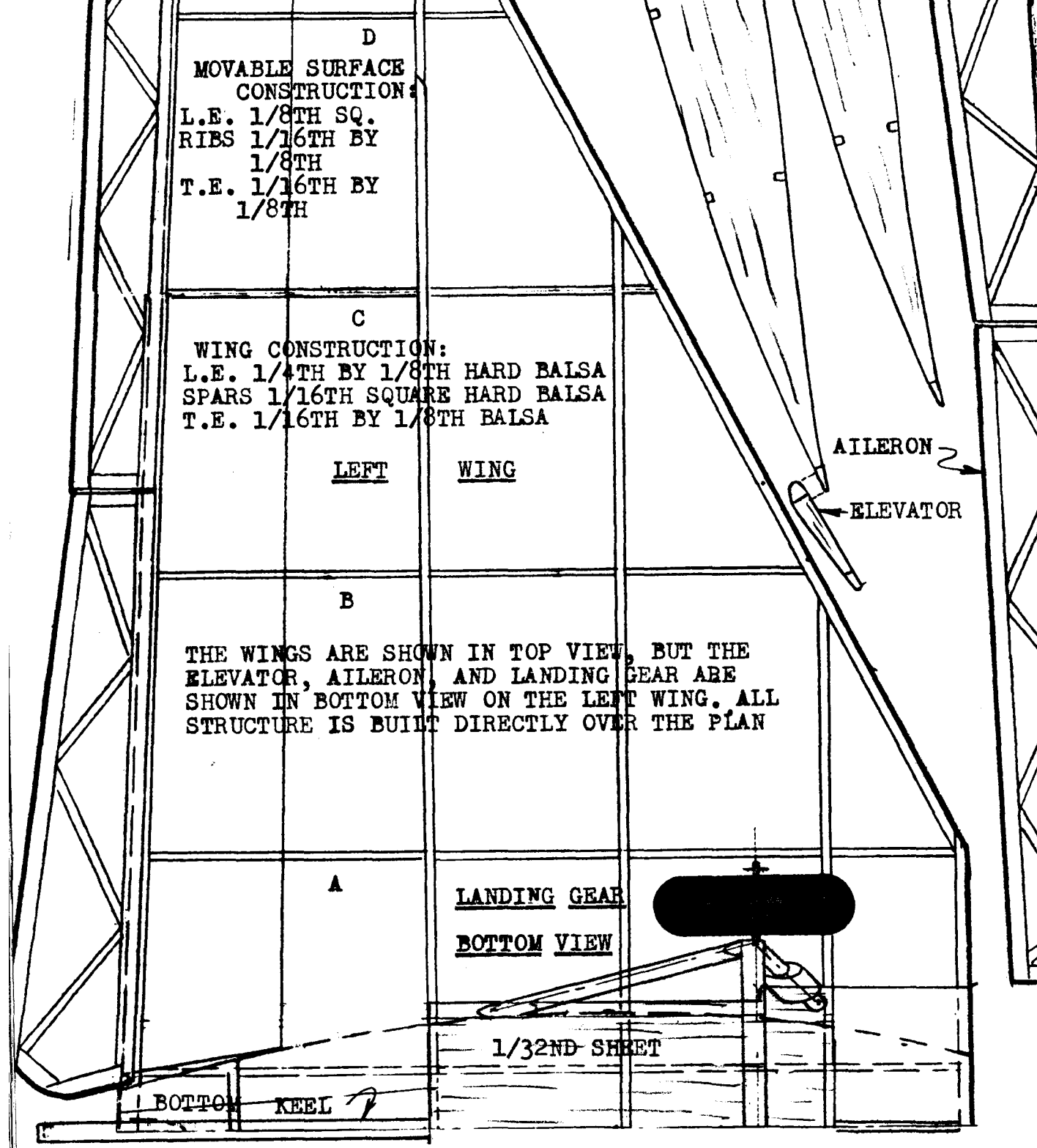
B
THE WINGS ARE SHOWN IN TOP VIEW, BUT THE
ELEVATOR, AILERON, AND LANDING GEAR ARE
SHOWN IN BOTTOM VIEW ON THE LEFT WING. ALL
STRUCTURE IS BUILT DIRECTLY OVER THE PLAN

A
LANDING GEAR
BOTTOM VIEW

AILERON
ELEVATOR

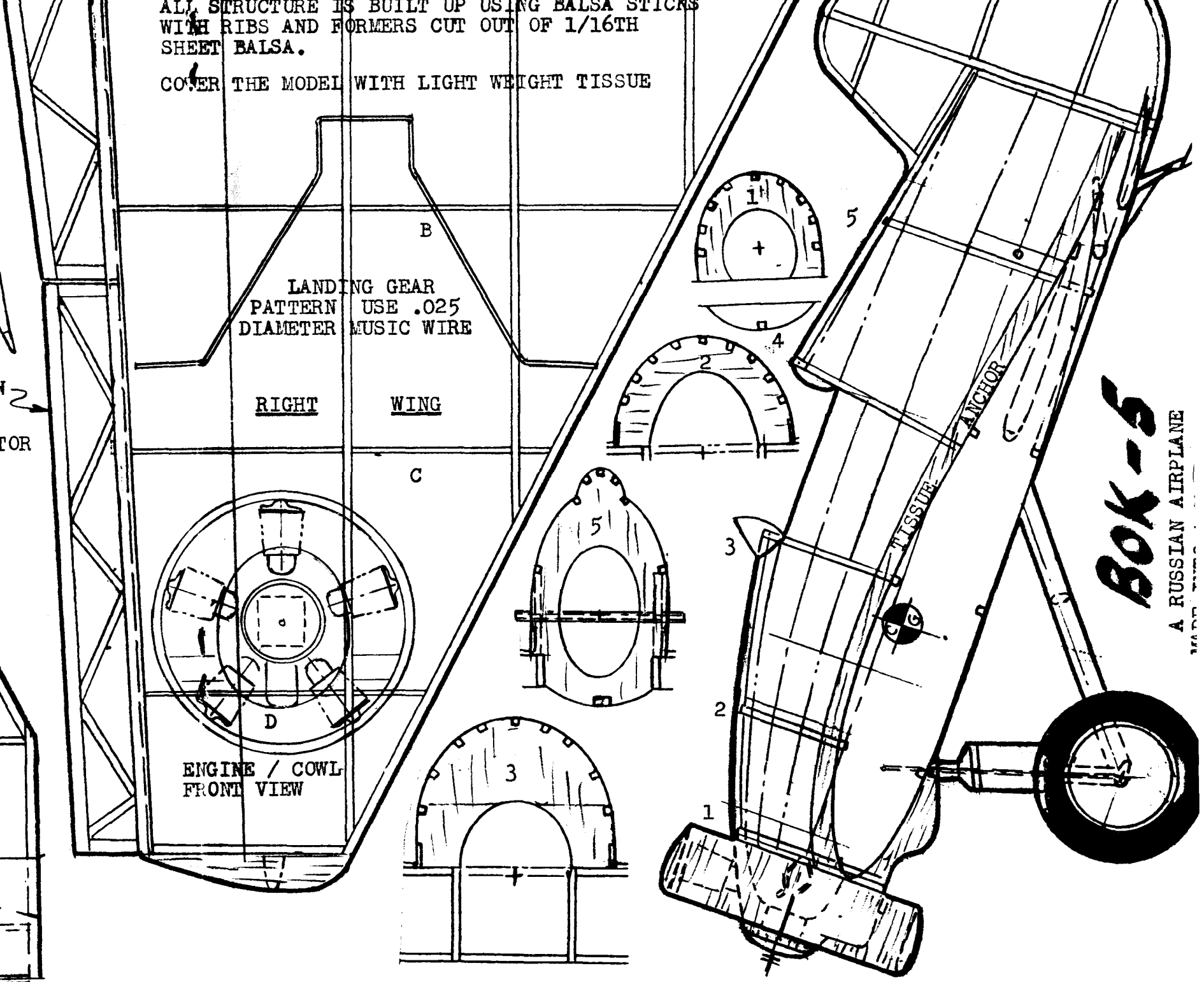
1/32ND SHEET

BOTTOM KEEL



ALL STRUCTURE IS BUILT UP USING Balsa STICKS
WITH RIBS AND FORMERS CUT OUT OF 1/16TH
SHEET Balsa.

COVER THE MODEL WITH LIGHT WEIGHT TISSUE



LANDING GEAR
PATTERN USE .025
DIAMETER MUSIC WIRE

RIGHT WING

ENGINE / COWL
FRONT VIEW

BOK-5

A RUSSIAN AIRPLANE