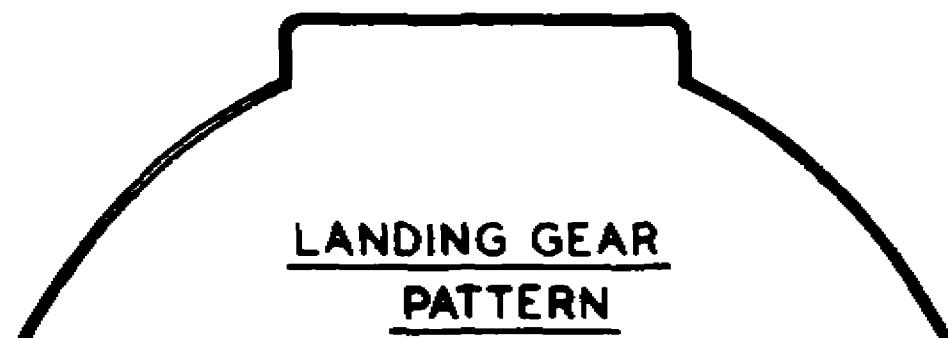


LEFT WING



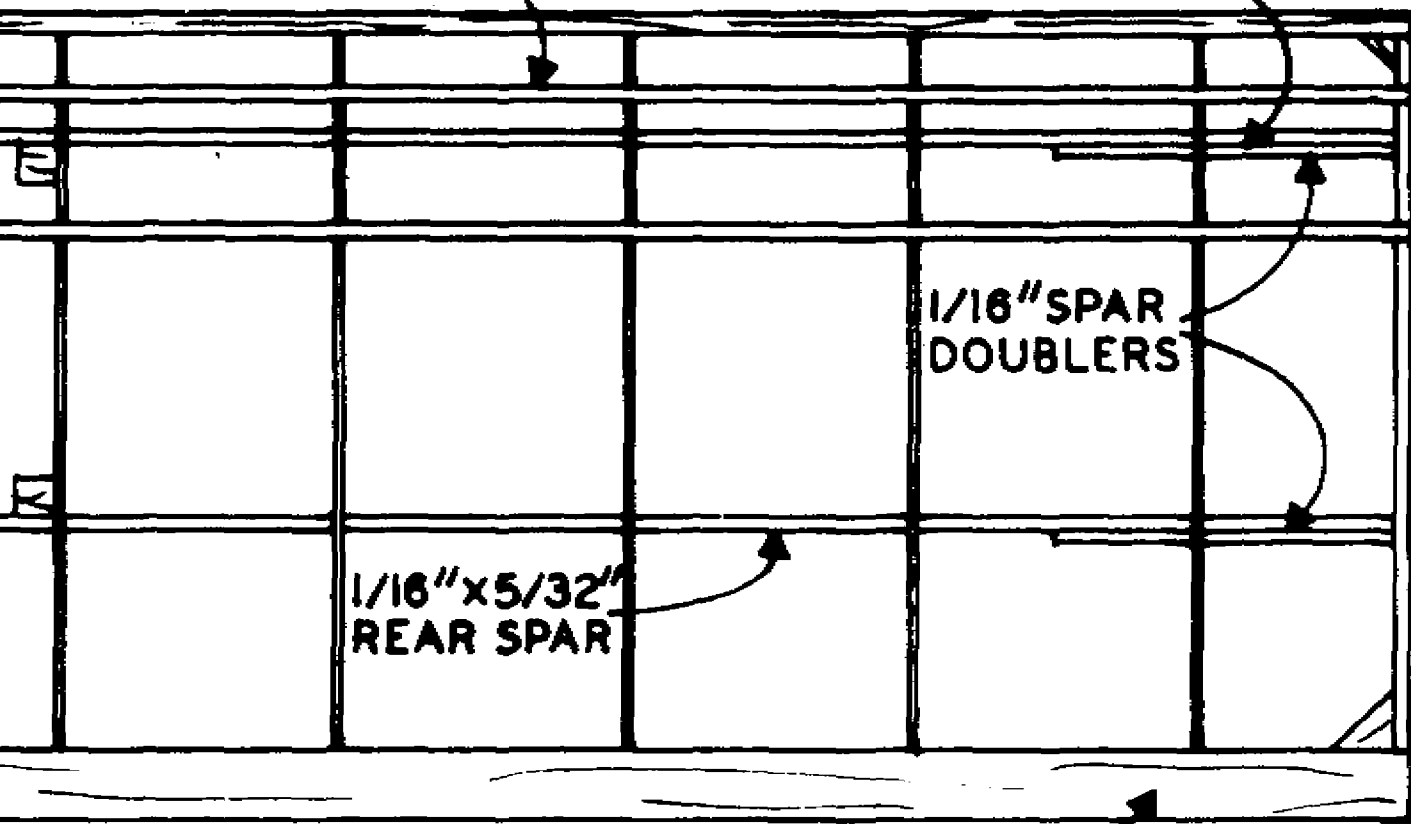
DIHEDRAL DETAIL
NOT TO SCALE



LANDING GEAR
PATTERN

1/16" x 3/16"
FRONT SPAR

1/16" SPAR
DOUBLERS

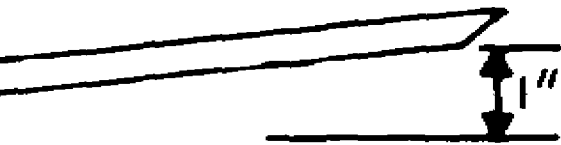


1/16" SPAR
DOUBLERS

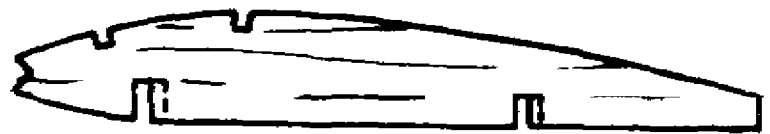
1/16" x 5/32"
REAR SPAR

WING PANEL

3/8" x 1/8" TE



1"



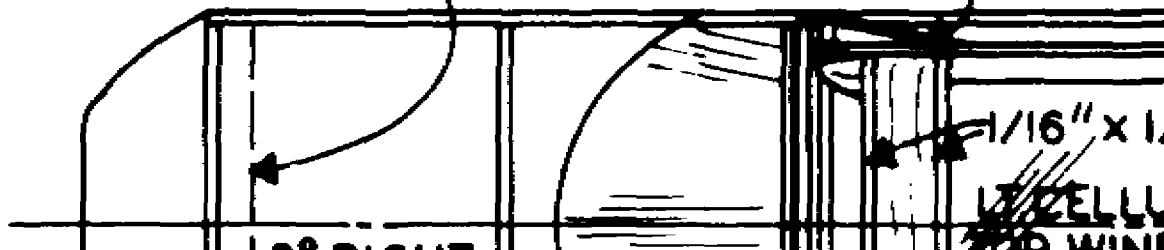
RIB PATTERN - 16 OF 1/32"
6 OF 1/16" MED.

WING CENTER

DETAIL

NOSE BLOCK KEY

SOFT BLOCK FILL



1/16" x 1/16"

CELL

WING

1/16" TURBULATOR
SPARS

3/32" SQ. LE

1/16"
ROOT
RIB

JURY
STRUTS

1/16" SCRA
STRUT
MOUNTS

RIGHT WING PANEL

2"
" MED. BALSA

HINGE
LOCATION

WING CENTER SECTION
DETAIL

BOTTOM LONGERON

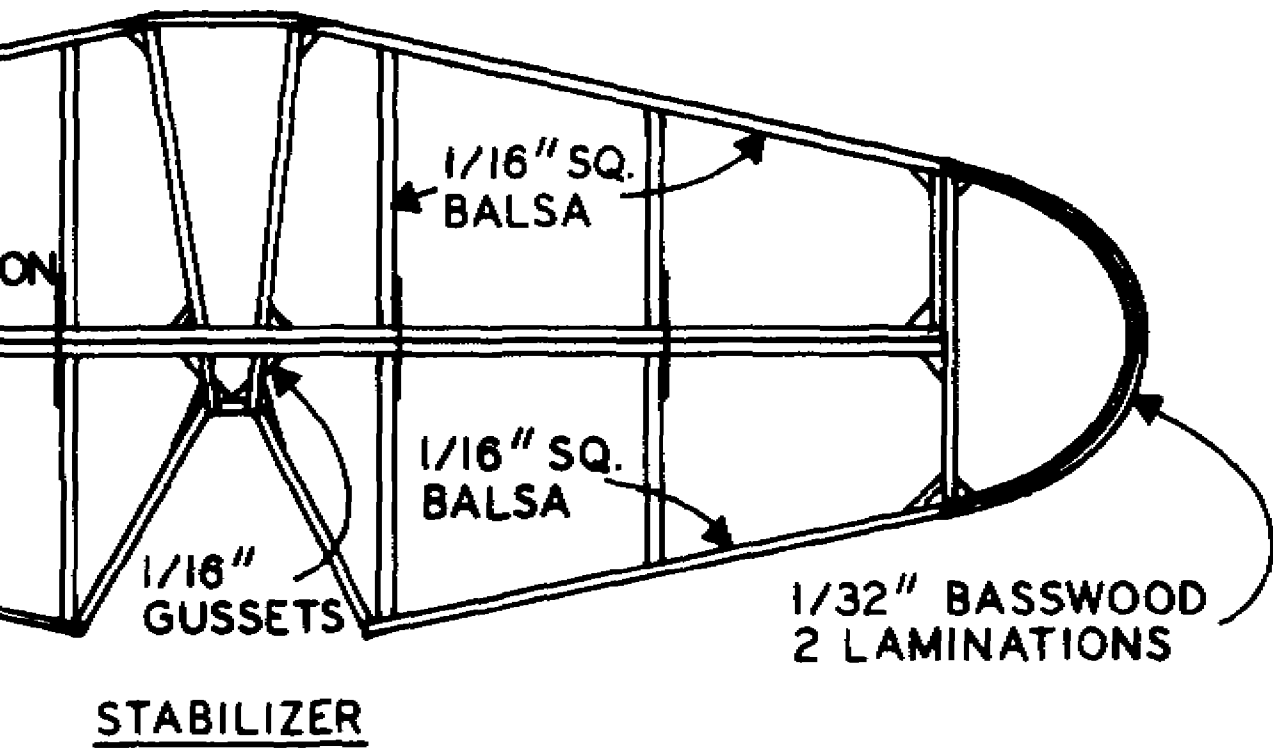
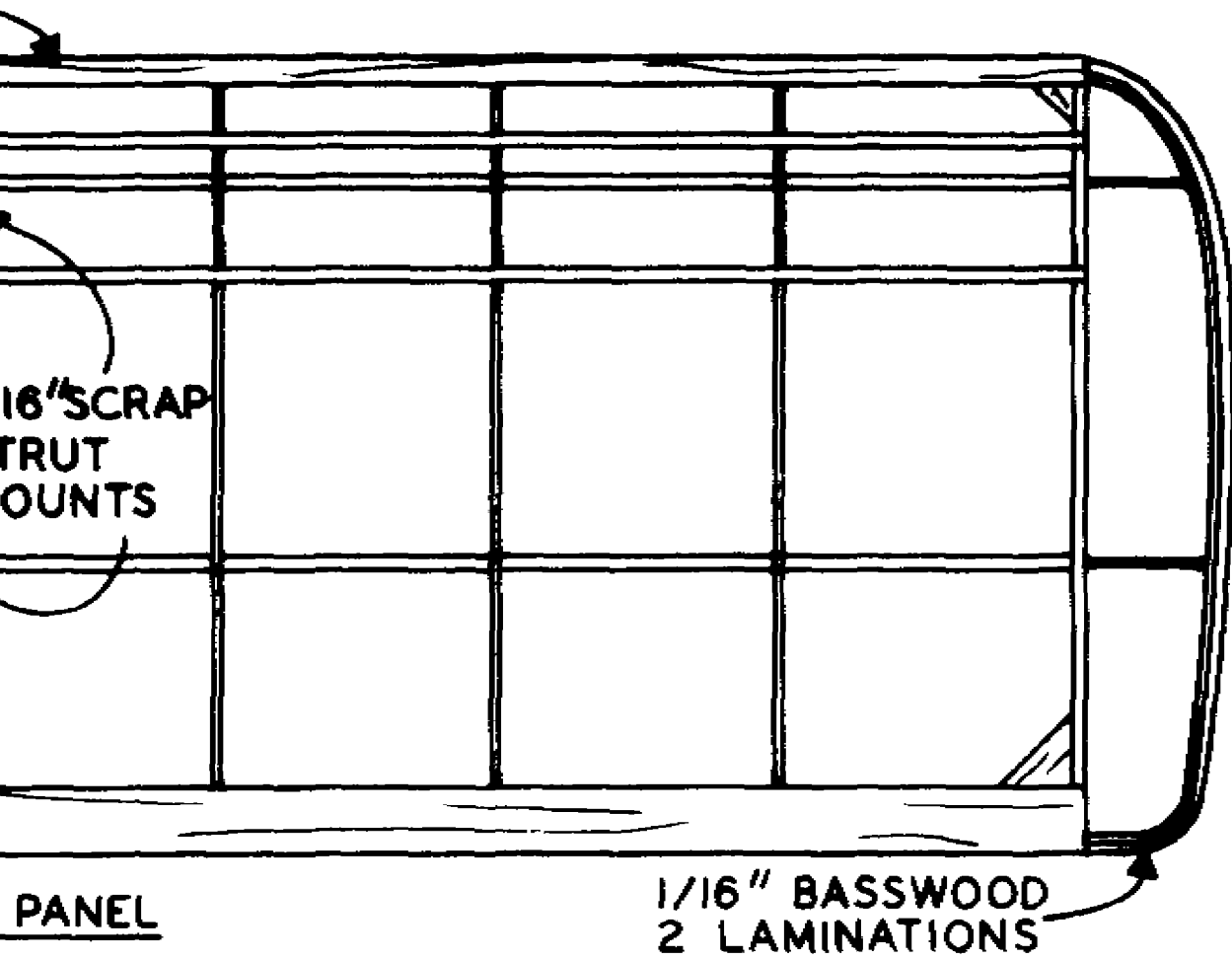
TOP LONGERON

1/16" x 1/8"
CELLULOSE
WINDOW

1/16" CNTR.
SECT. RIBS

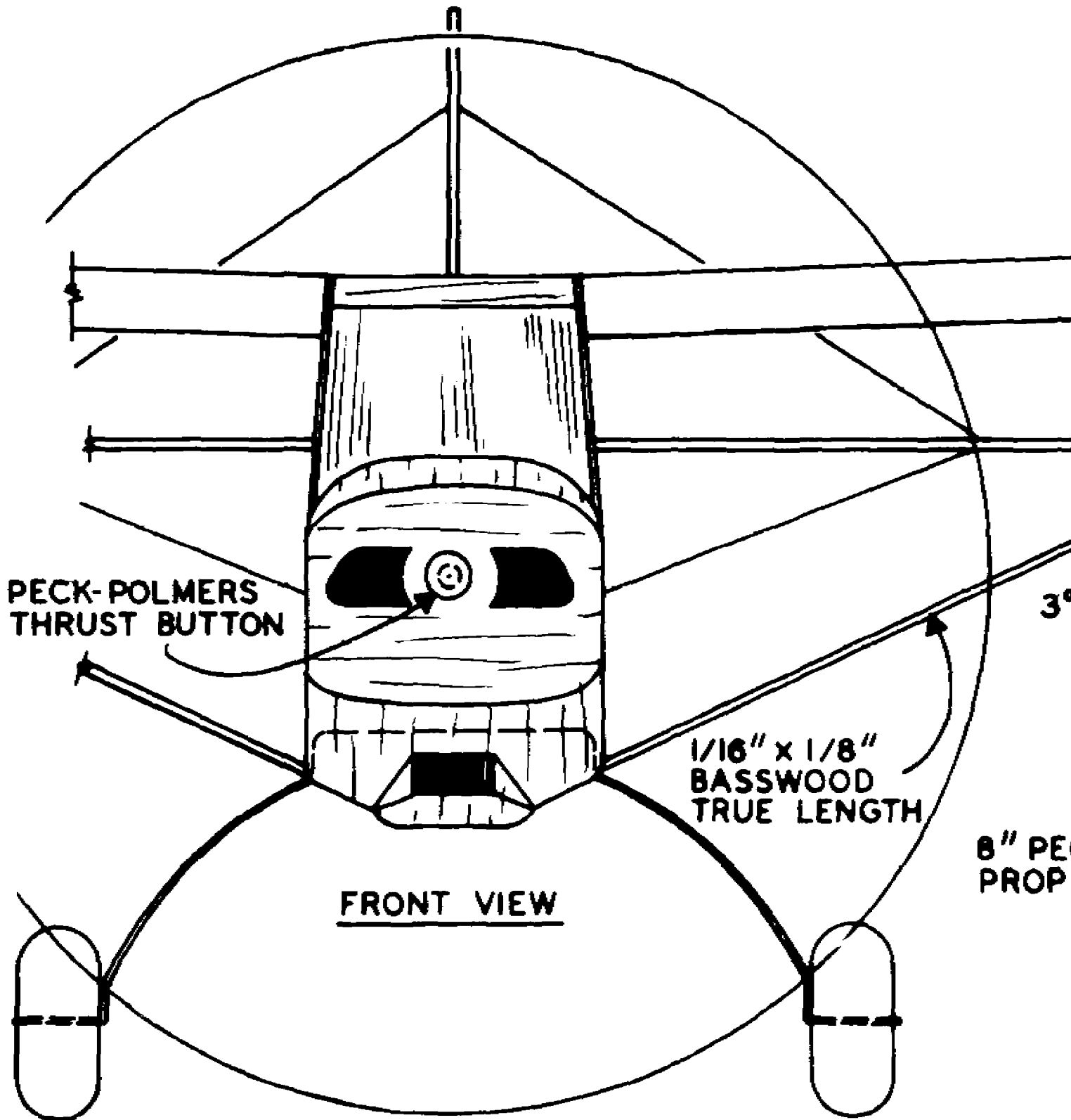
1/16" STRINGERS

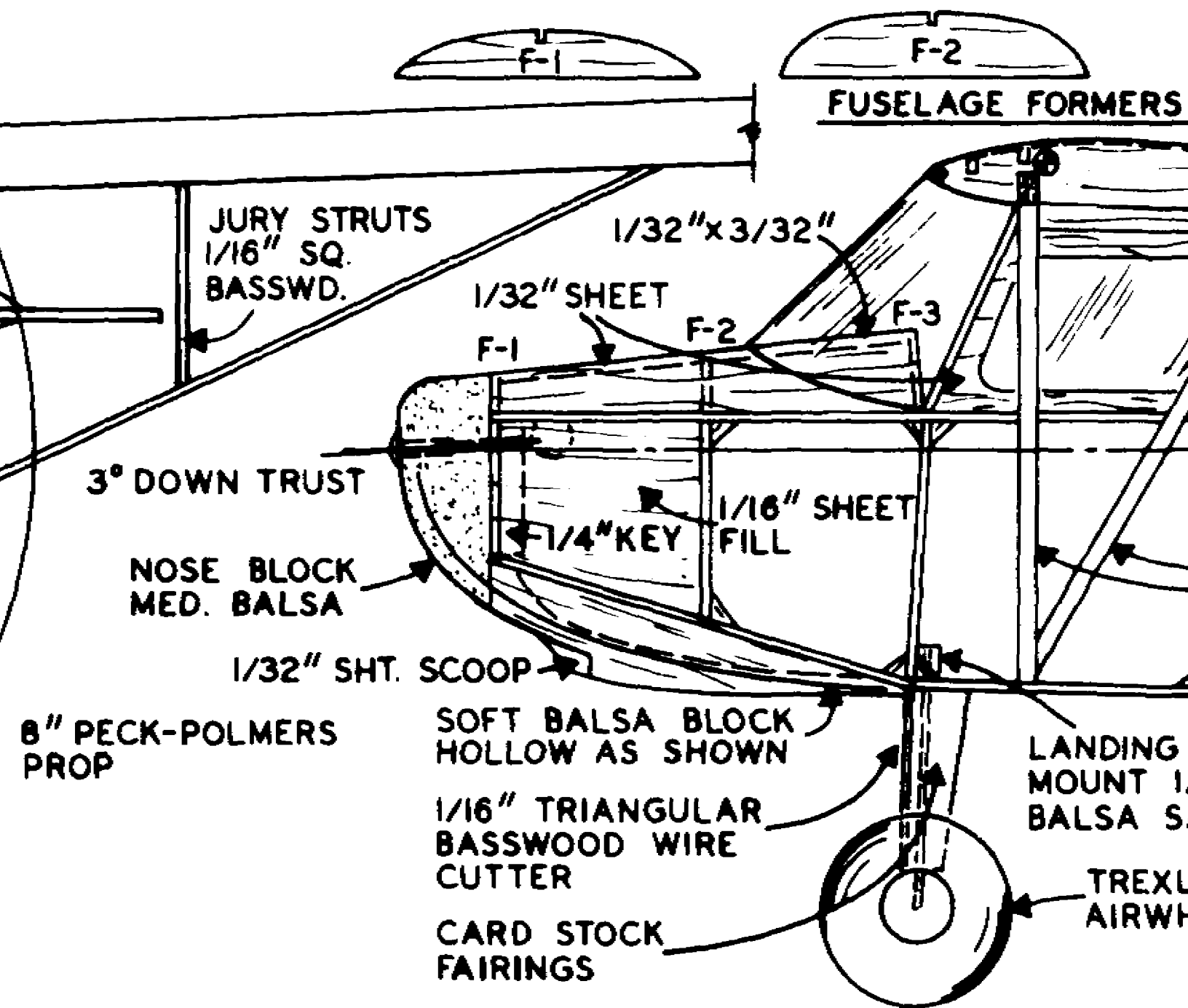
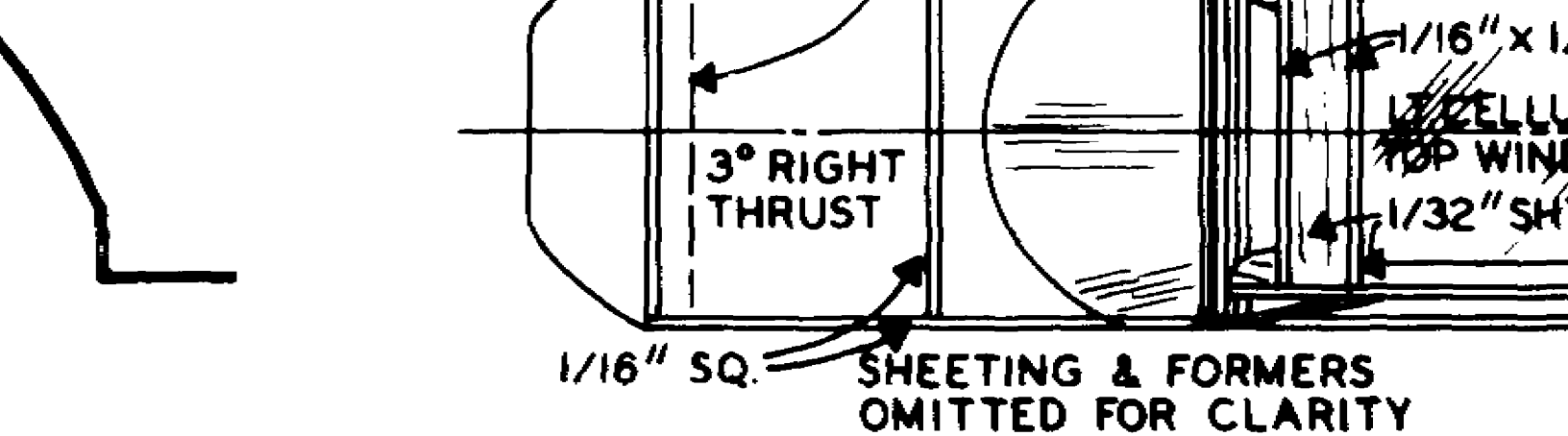
STA

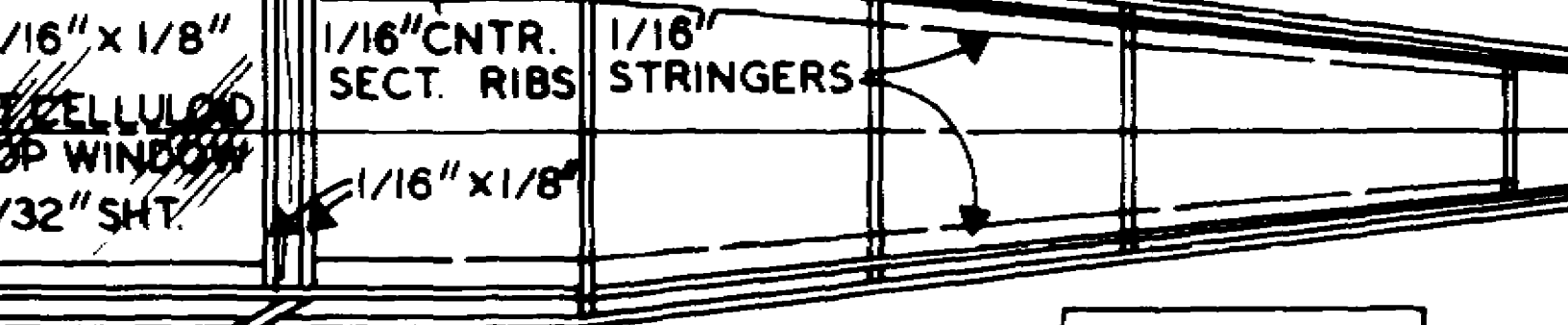


LANDING GEAR
PATTERN

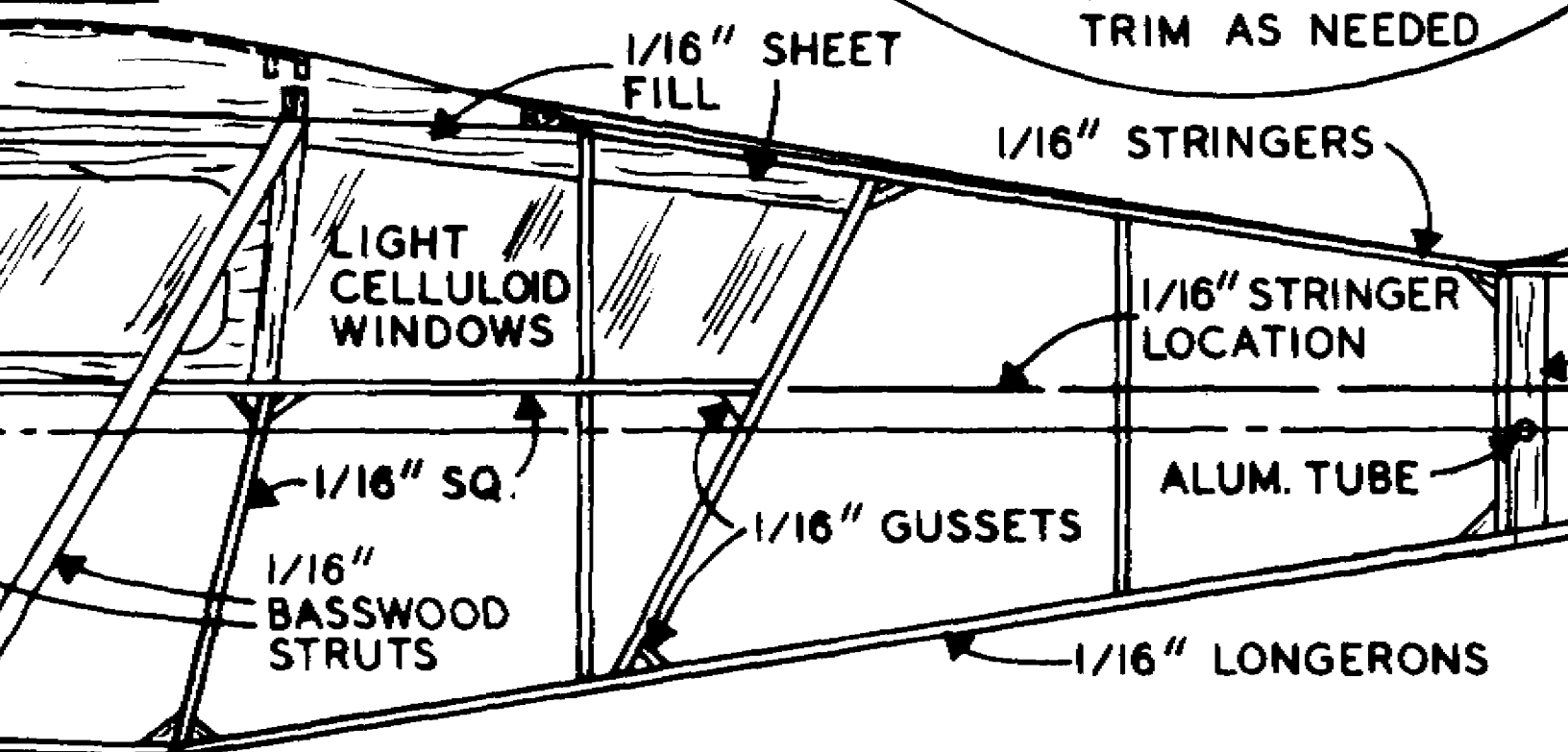
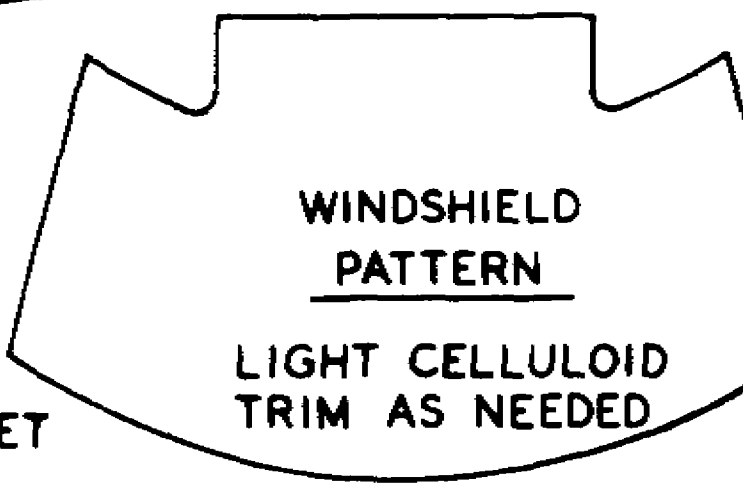
1/32" MUSIC WIRE







FUSELAGE - TOP VIEW



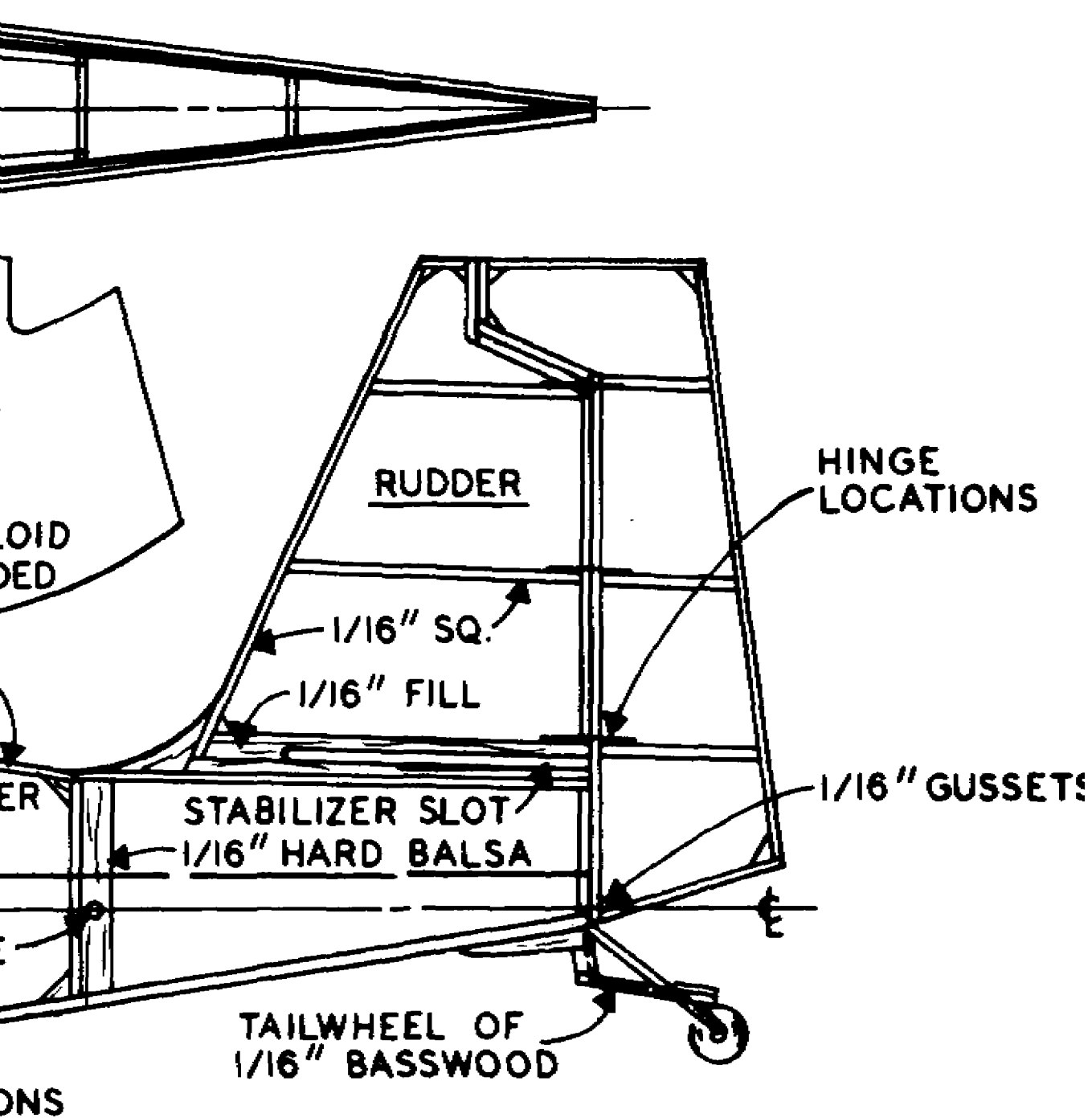
FUSELAGE - SIDE VIEW

LANDING GEAR
MOUNT 1/16"
BALSA SANDWICH

TREXLER
AIRWHEELS

BELLANC

0



LANCA "SCOUT"-AMA RUBBER SCALE

2ND PLACE - 1980 NATIONALS

DESIGNED AND DRAWN BY LARRY KRUSE



LMV