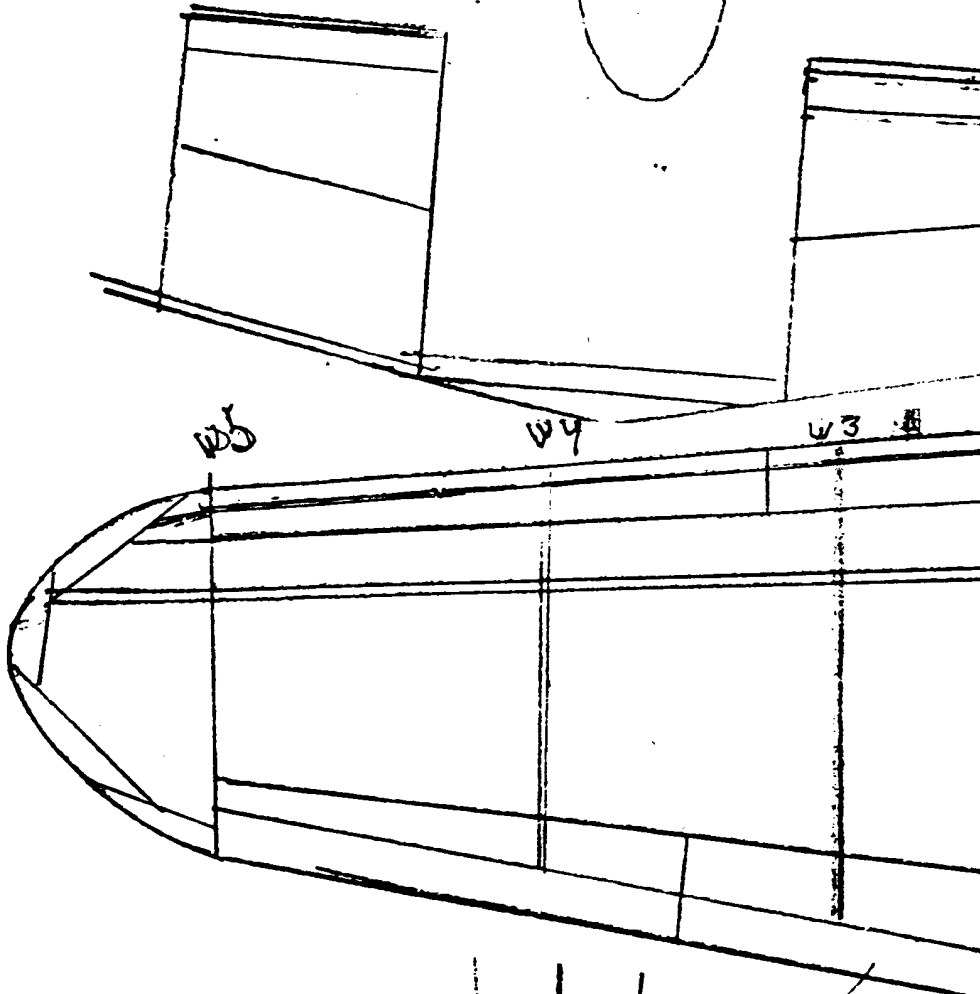
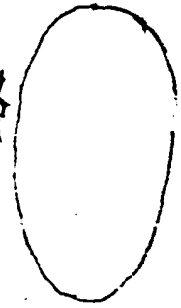
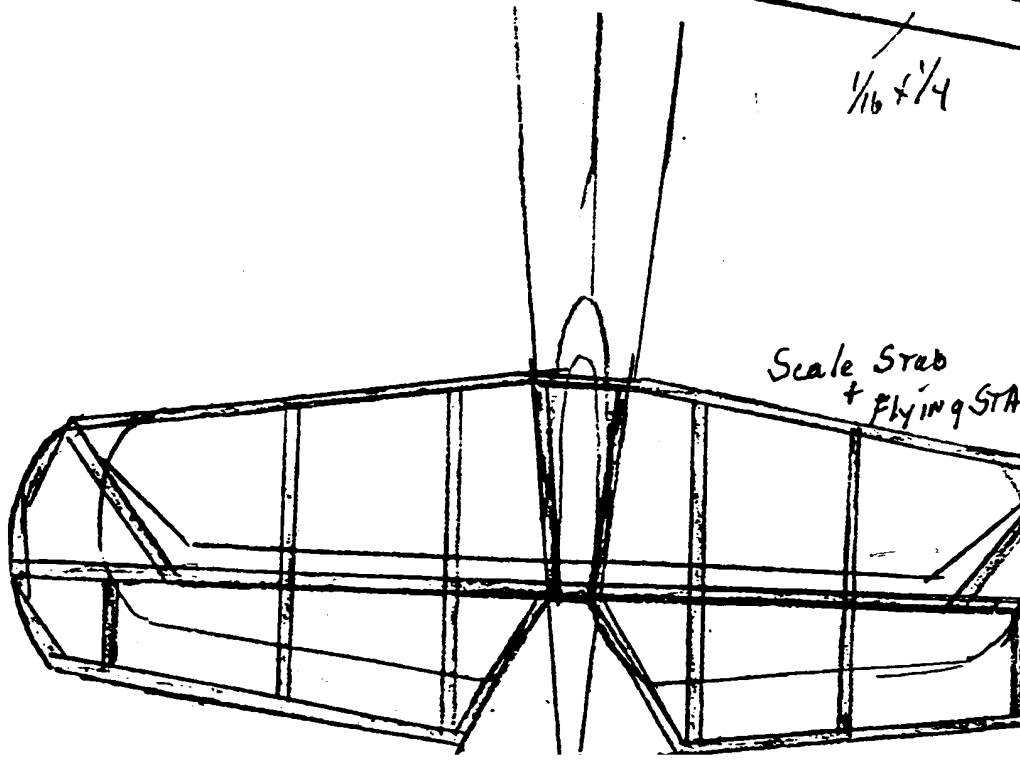


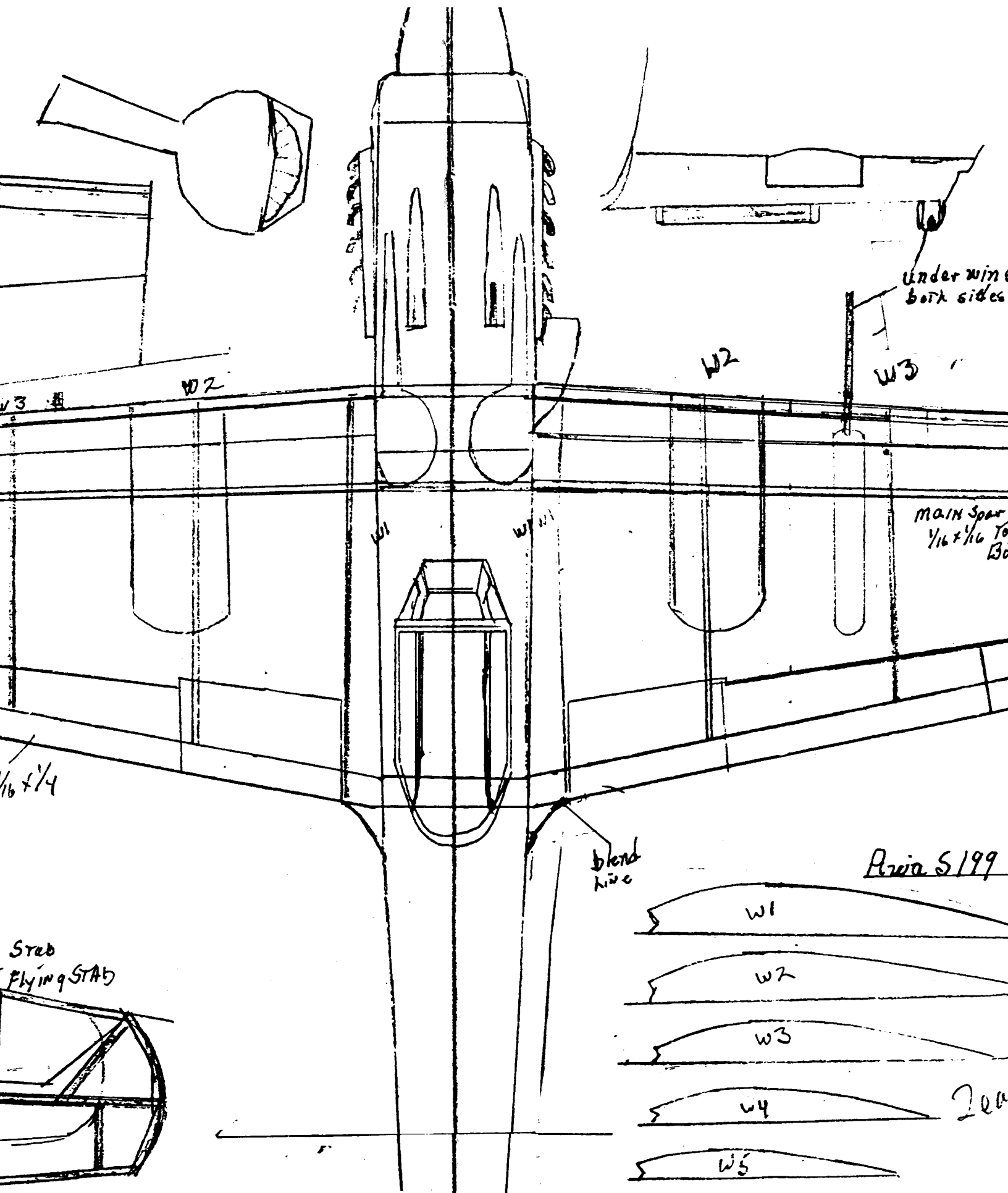
Layout sketch
of wing bottom




1/16 + 1/4



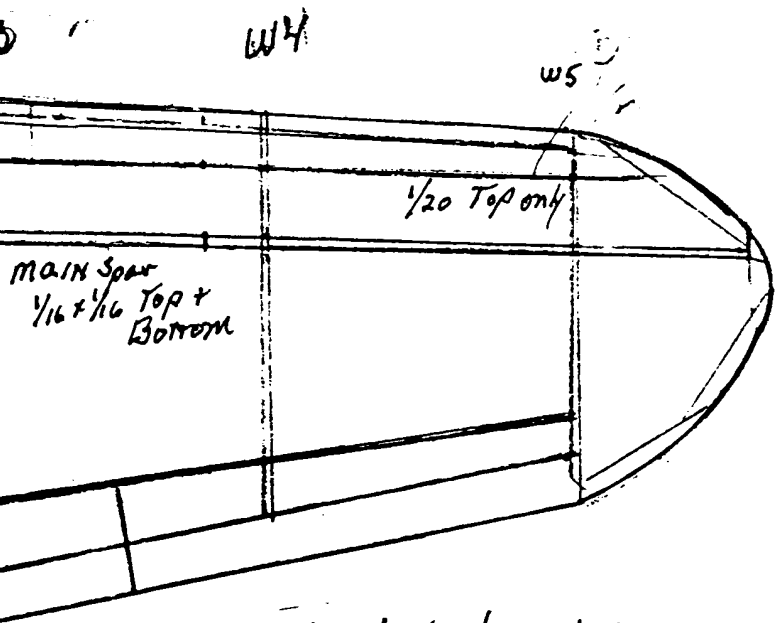
Scale Strub
+ Flying STA



Squadron Badge:



Under wing Gun Pods
both sides 20mm

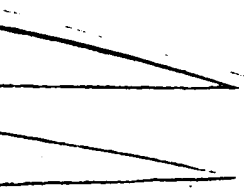


1.7° dihedral each tip
1/8 washout each tip

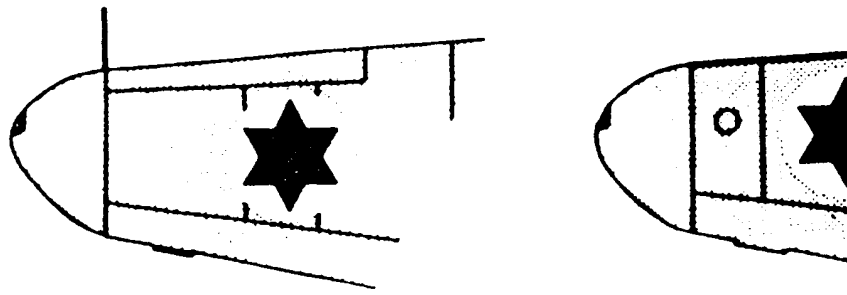
5199 Top View 1/24th scale Sheet 2

a Prop. File Sp. by R Russo

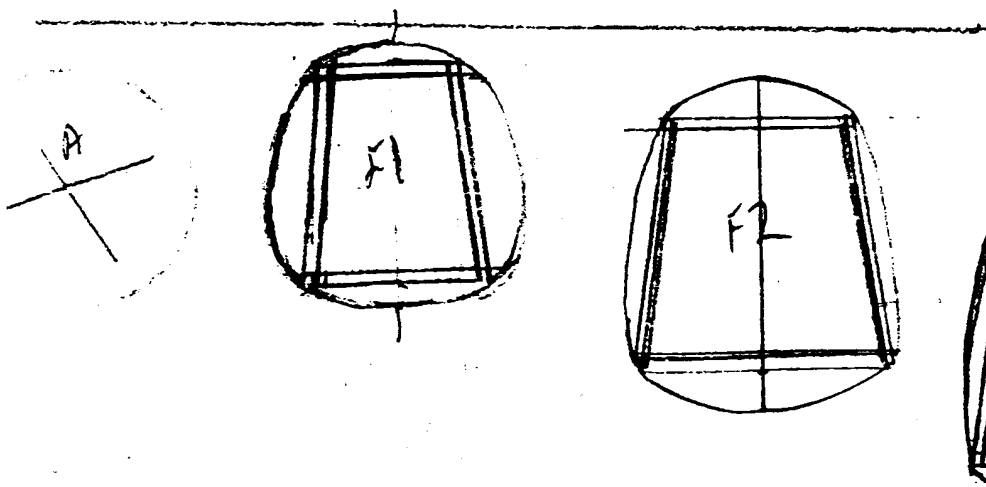
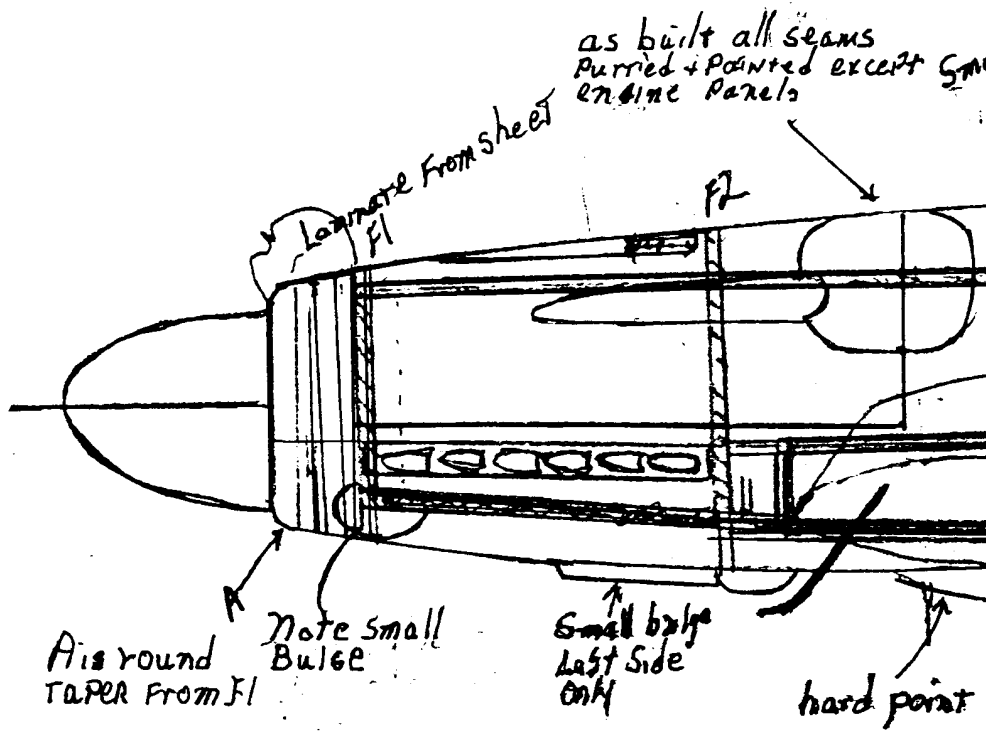
Usually enlarged 50% $7\frac{3}{4}$ "

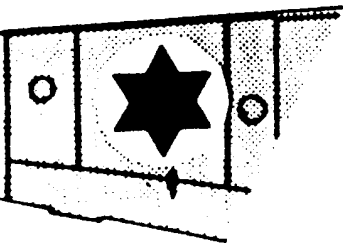


Leach

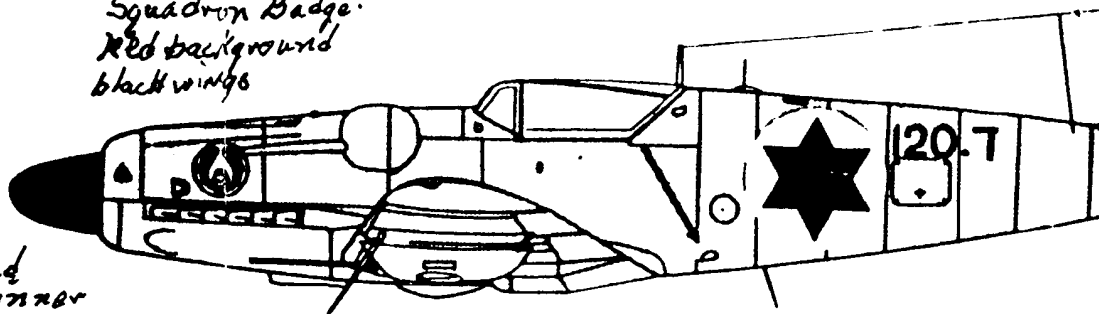


Light Blue-grey overall
 STAR OF DAVID 6 positions Dark blue
 Flown by Ezer Weizman





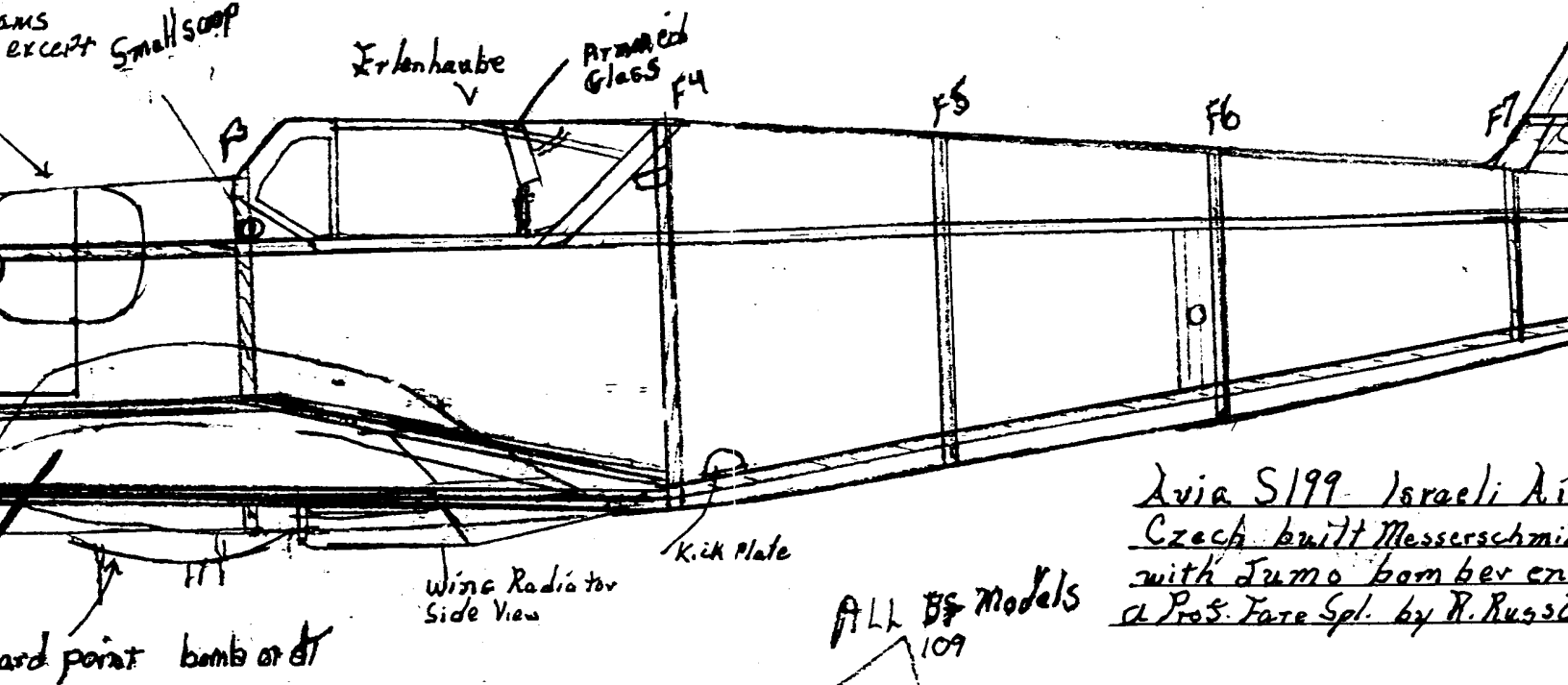
Squadron Badge:
Red background
black wings



Red
Spinner

dark blue or white

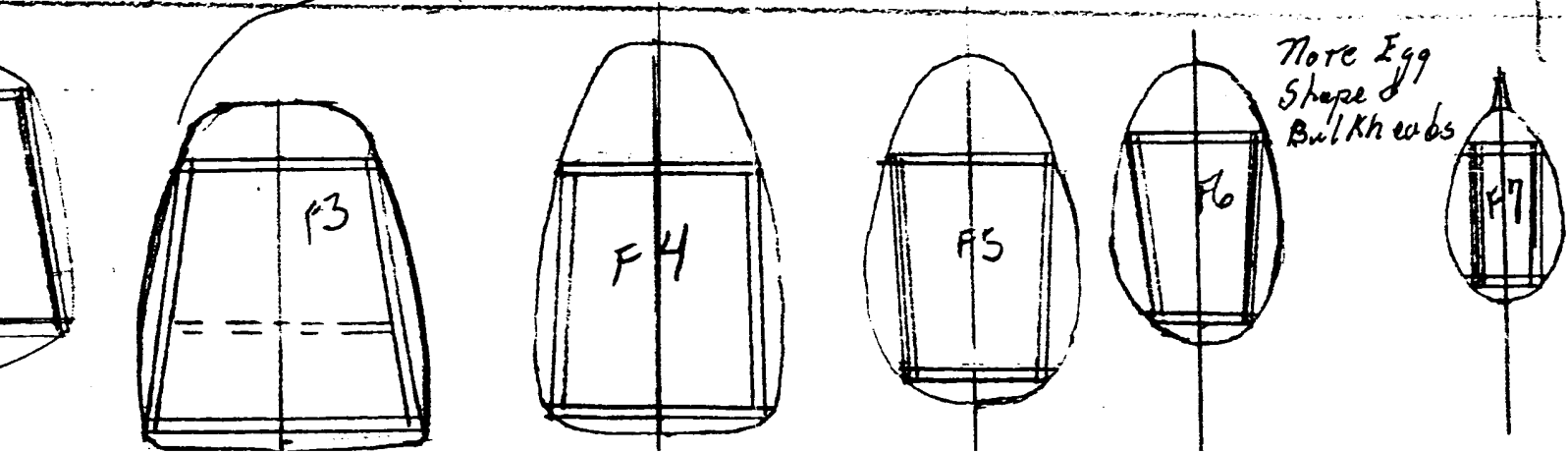
AMS
except small scoop



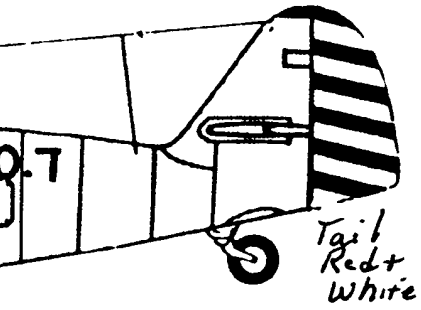
Avia S199 Israeli Ai
Czech built Messerschmi
with Jumo bomber en
a ProS. Fate Spl. by R. Russi

ALL BS Models
109

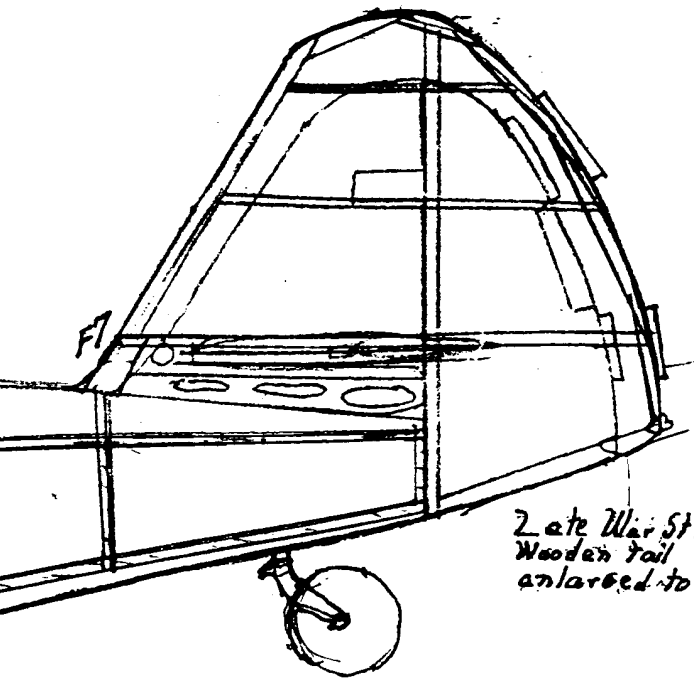
ward point bomb or dt



More Egg
Shape &
Bulkheads



Tail
Red +
White



Late War Style
Wooden Tail
enlarged to 7%

Israeli Air Force 1948
Messerschmitt Bf 109G
in line engine
by R. Russo 1/24" Scale

