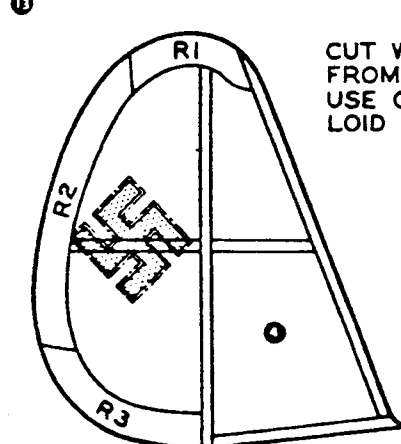
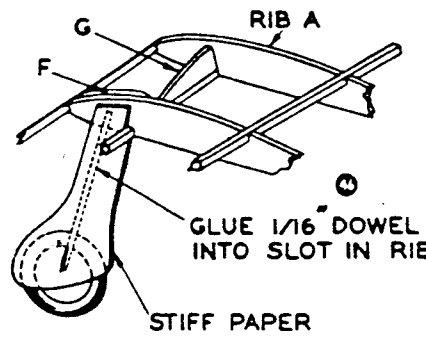
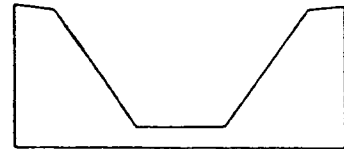
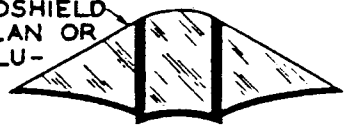


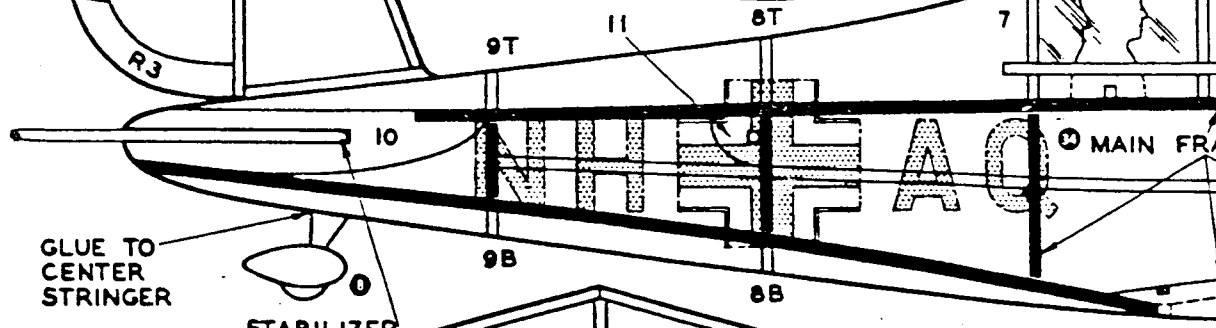
WING  
CONSTRUCTION



CUT WINDSHIELD FROM PLAN OR USE CELLULOID

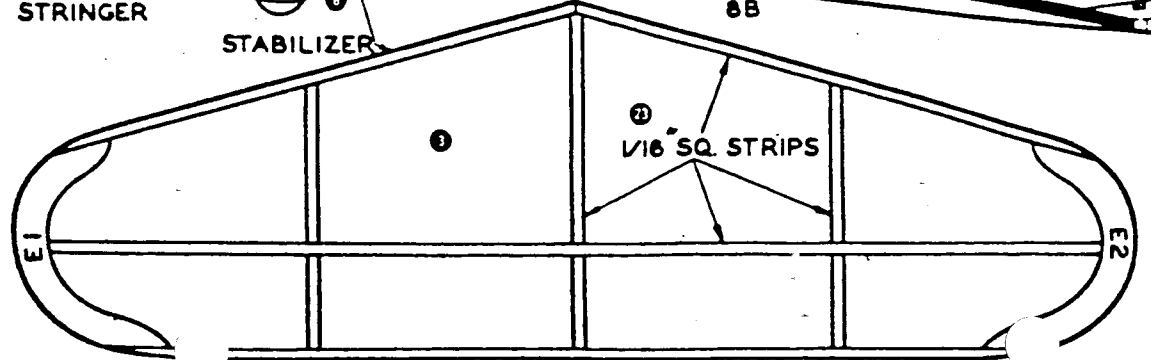


GLUE THIS END OF COCKPIT COAMING AROUND 3

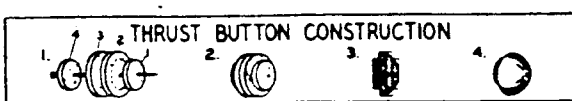
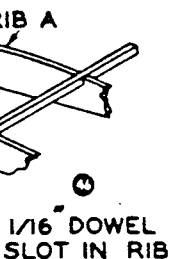
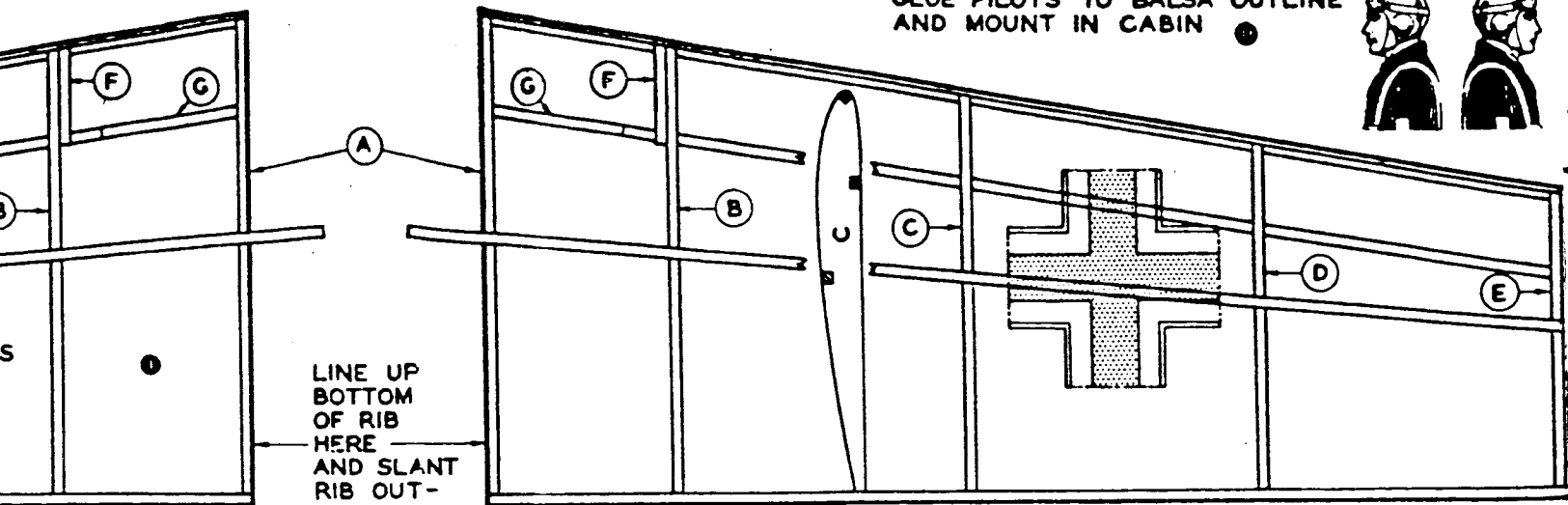
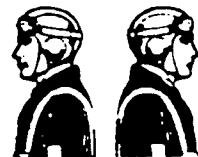


GLUE TO CENTER STRINGER

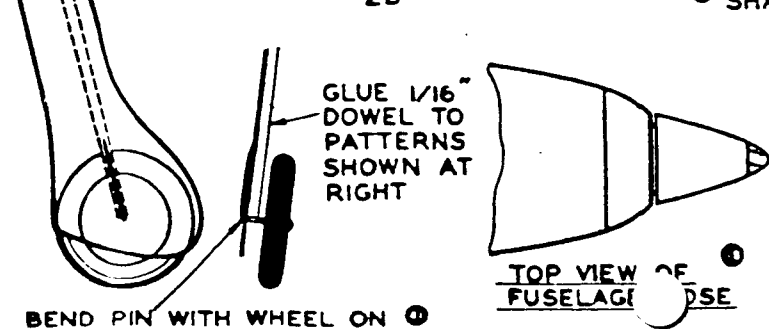
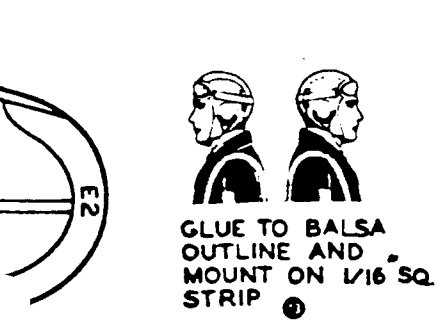
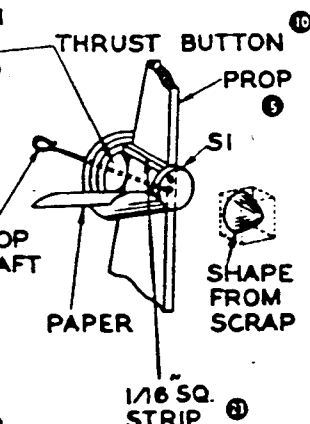
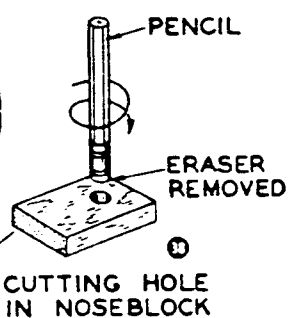
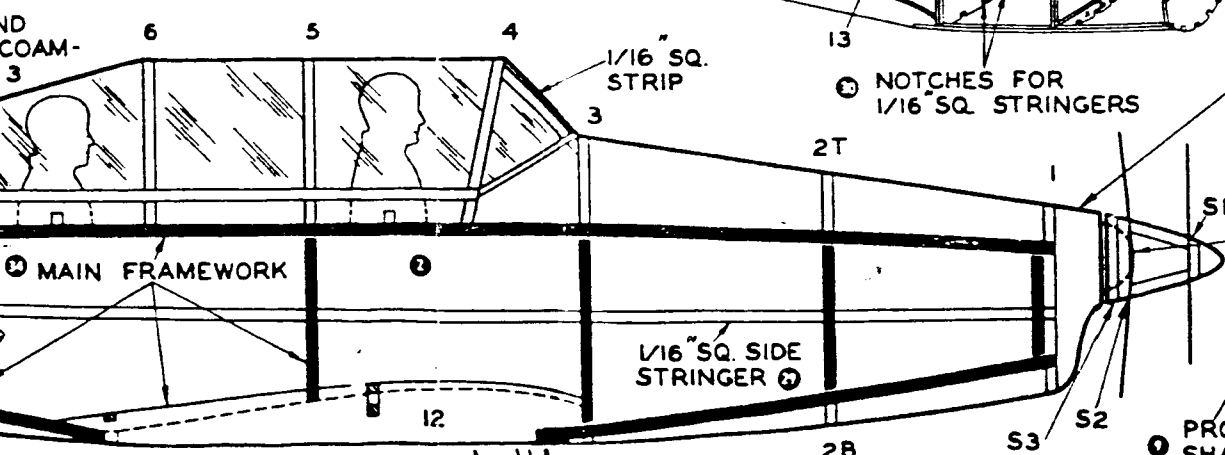
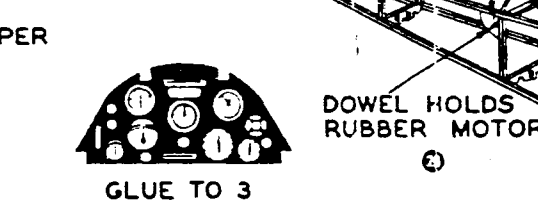
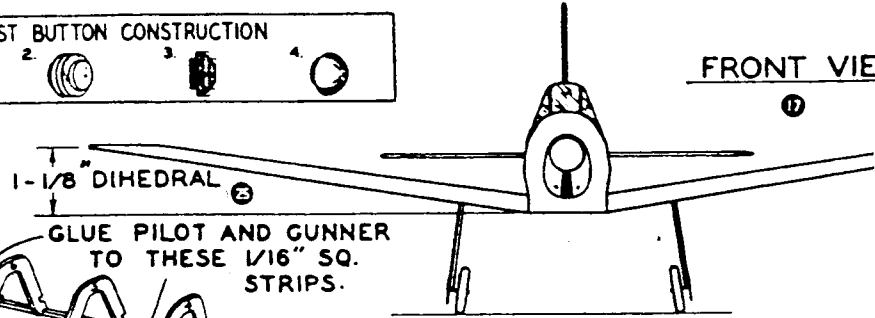
STABILIZER



GLUE PILOTS TO BALSA OUTLINE AND MOUNT IN CABIN



FRONT VIEW



**GERMAN**  
WINGSPAN 16" L  
KIT NO. A39 | DR

