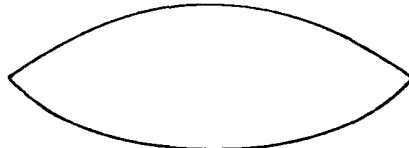
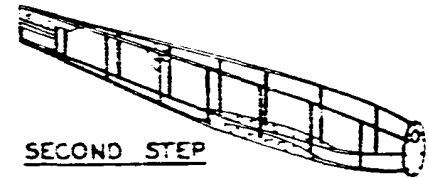
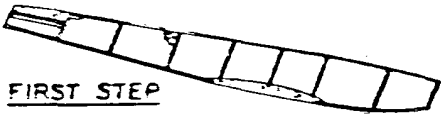
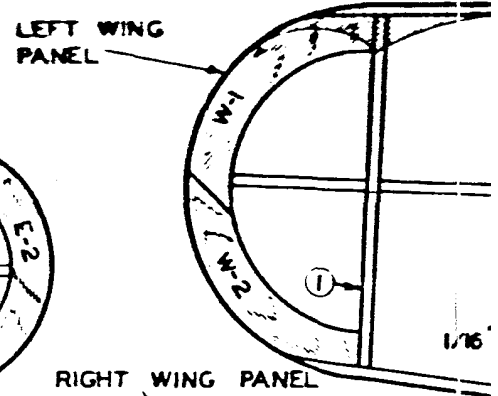
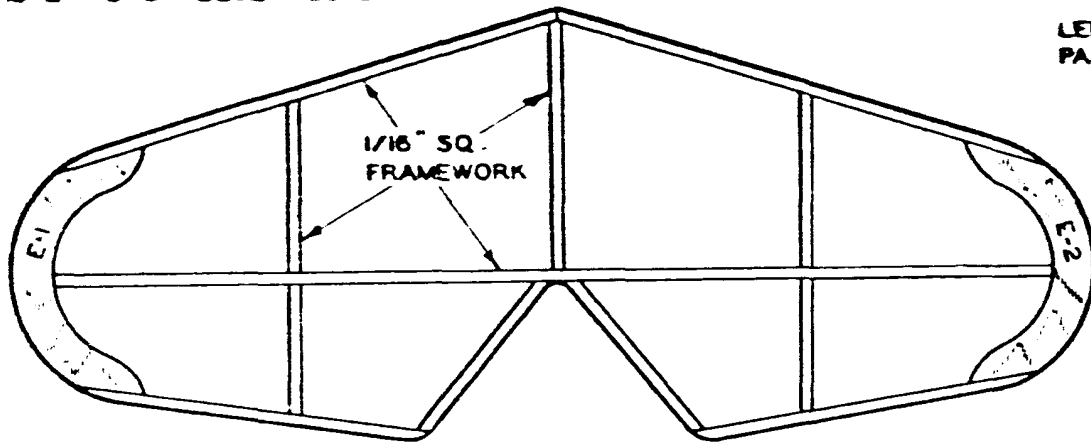


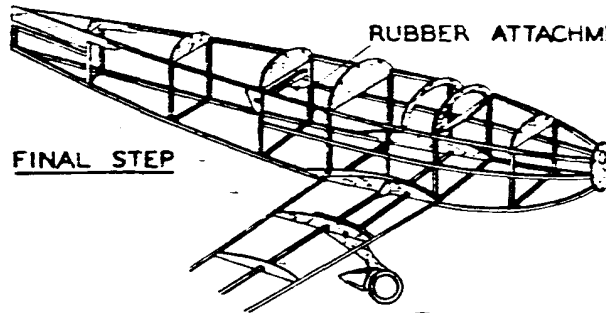
NOTE: STICK BLUE TISSUE OVER YELLOW FOR COLOR STRIPE



WINDSHIELD PATTERN

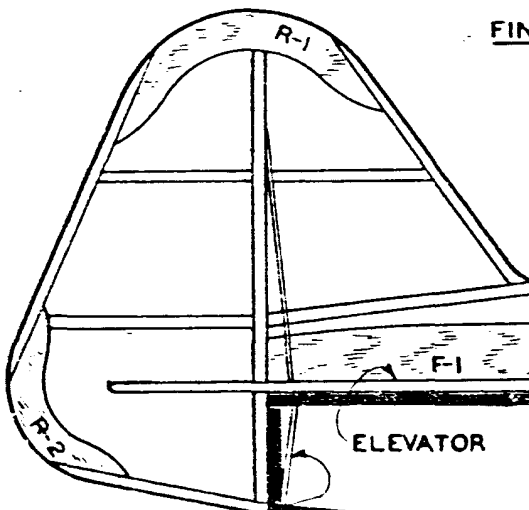
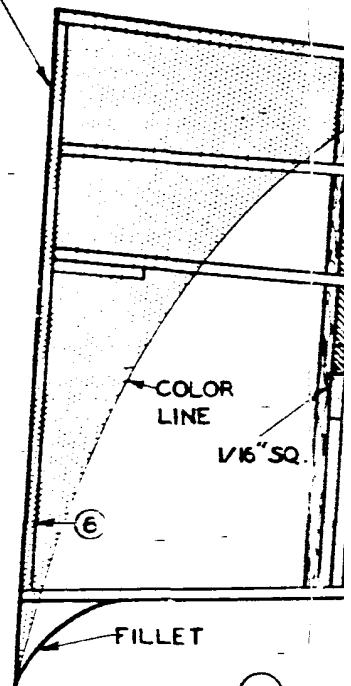
COLOR SCHEME

YELLOW  
DARK BLUE TRIM



FINAL STEP

RUBBER ATTACHMENT



ELEVATOR

THREAD BRACING

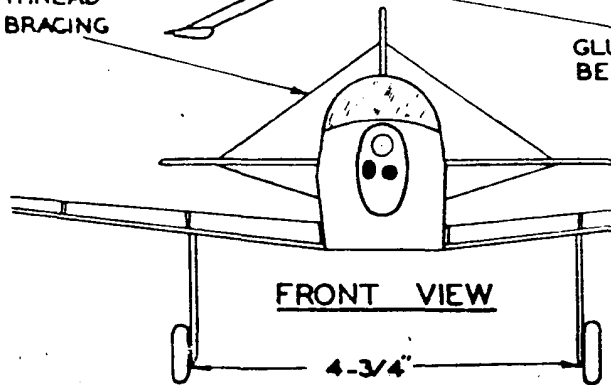
GLUE TAILSKID BETWEEN LONGERONS.

1/16" SQ. STRIPS

GLUE 3-1/16" SQ'S. TOGETHER

SIDE STRINGER

YELLOW  
DARK



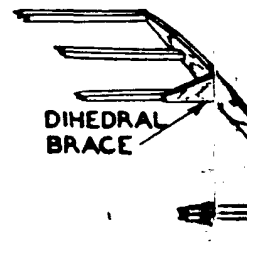
FRONT VIEW

4-3/4"

PENCIL

1" DIHEDRAL

CUTTING HOLE IN NOSEBLOCK.



DIHEDRAL BRACE

