

1/32  
STRUT  
ATTACH.

1/3 x 3/16

1/32 x 5/32

LAMINATED  
TIP

AILERON OUTLINE

FRONT 3/32 x 7/32

INSTR. PANEL STA 3

"V" 1/16 ROUND "V" 1/32 SQ.

HOOK-.015  
MUS. WIRE

BIND  
WITH THREAD

WING

FLAT  
BLACK

1/16 SQ.

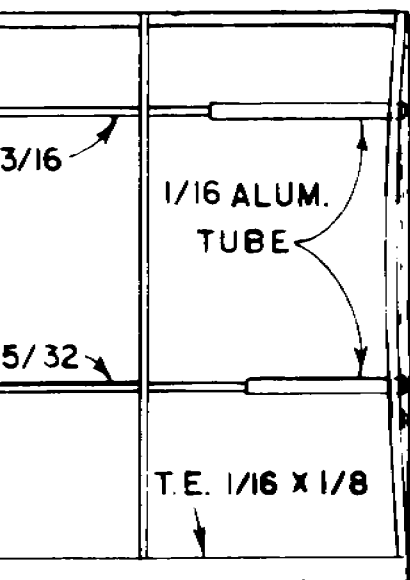
1/32 SQ.

BOTTOM  
ONLY

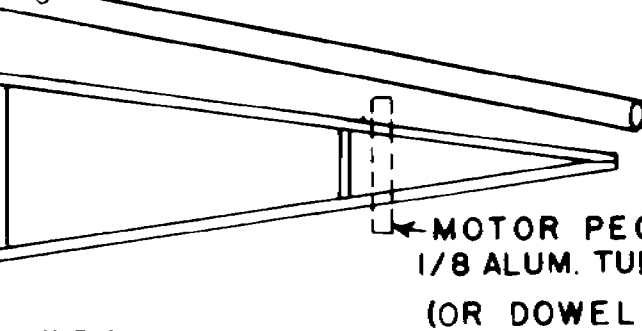
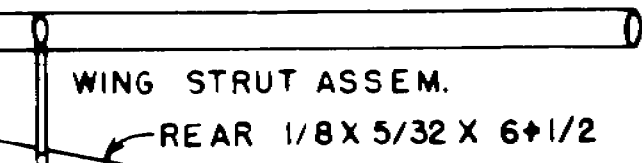
BRACE WIRES-  
GRAY THREAD

4 BALS A DISCS 1/16  
LAMINATED

3/8 HOLE



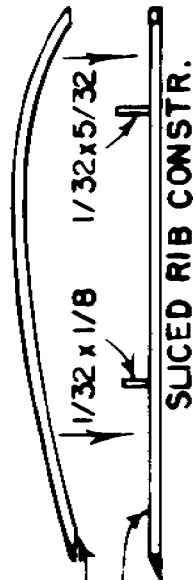
32 X 7/32 X 6+3/8



CUT AWAY TISSUE & GLUE STRUTS TO WING

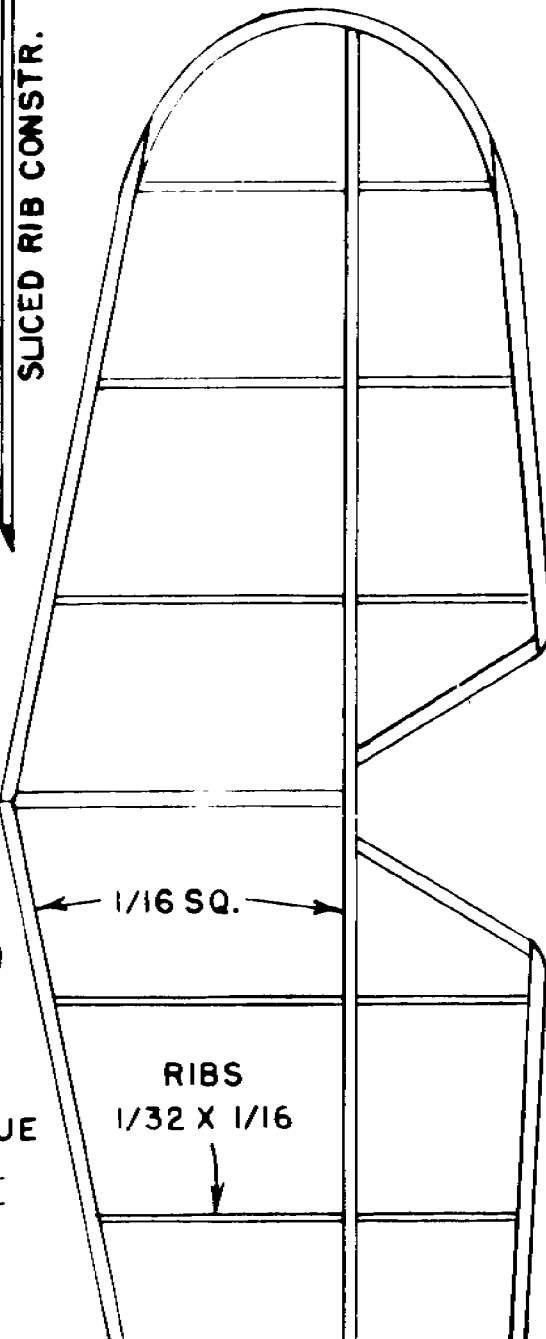
3°

STA.10

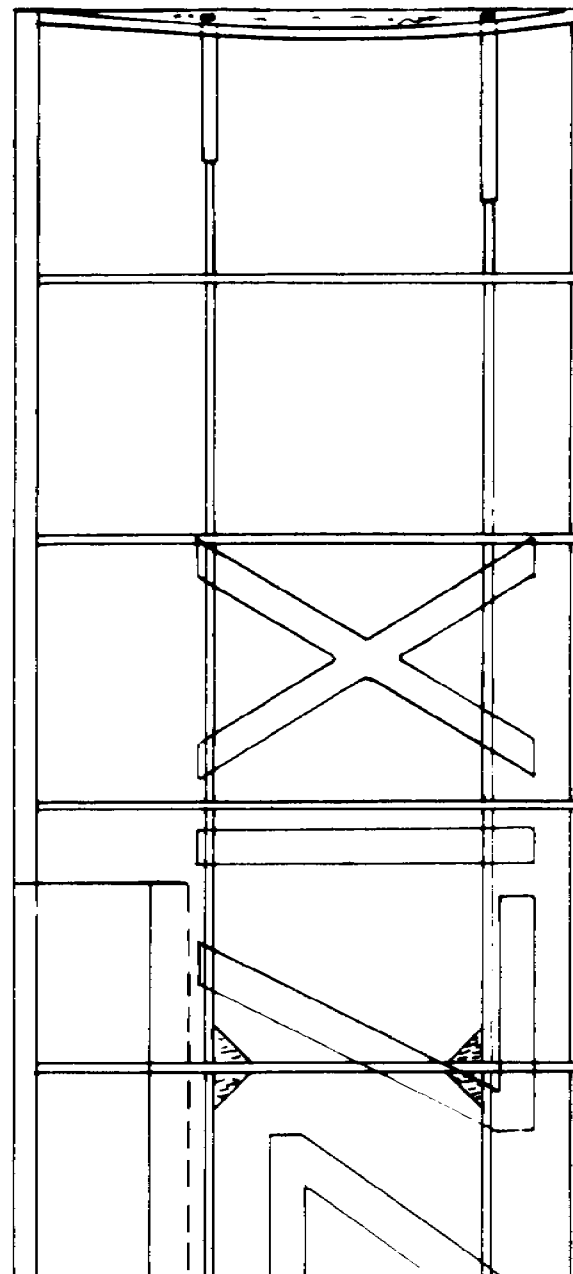


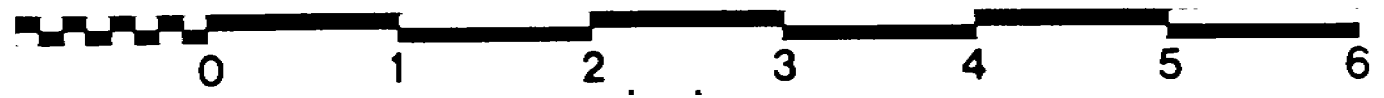
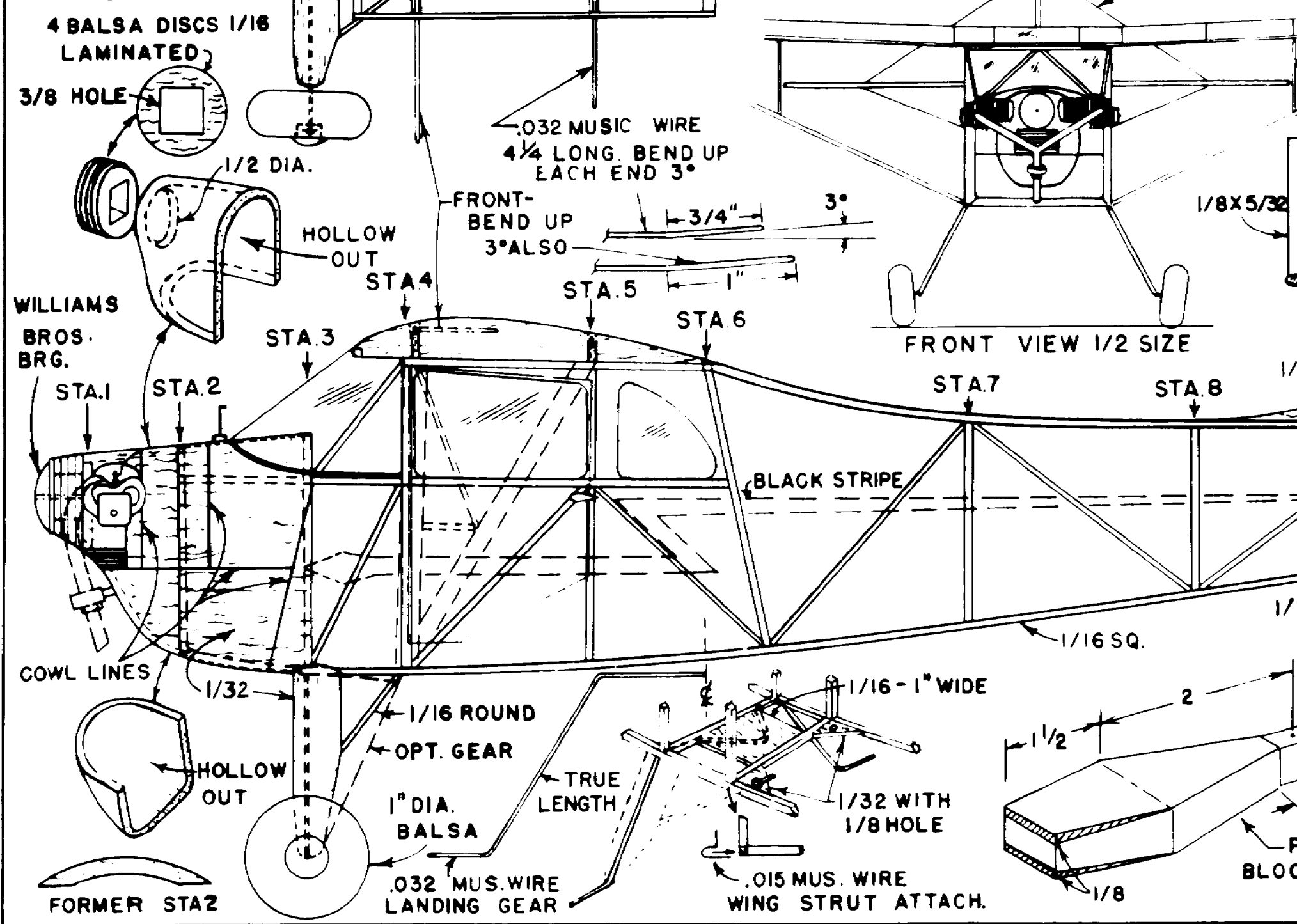
② THEN ADD THESE

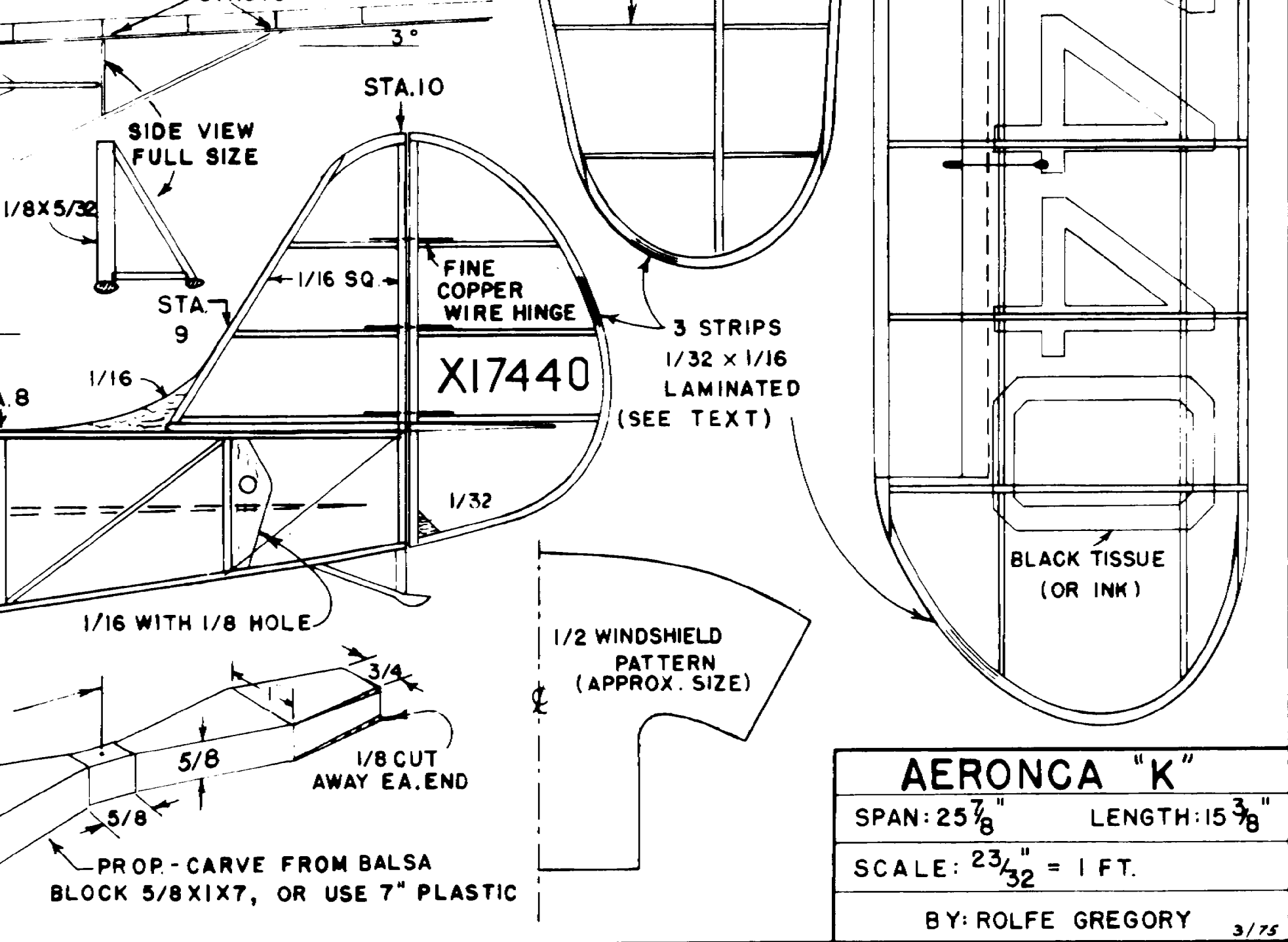
① BUILD THIS ASSEM.



INCLINE ROOT RIBS FOR DIHEDRAL  
( SHOWN EXAGGERATED )







# AERONCA "K"

SPAN: 25 <sup>7</sup>/<sub>8</sub>"      LENGTH: 15 <sup>3</sup>/<sub>8</sub>"

SCALE: 23 <sup>1</sup>/<sub>32</sub>" = 1 FT.

BY: ROLFE GREGORY