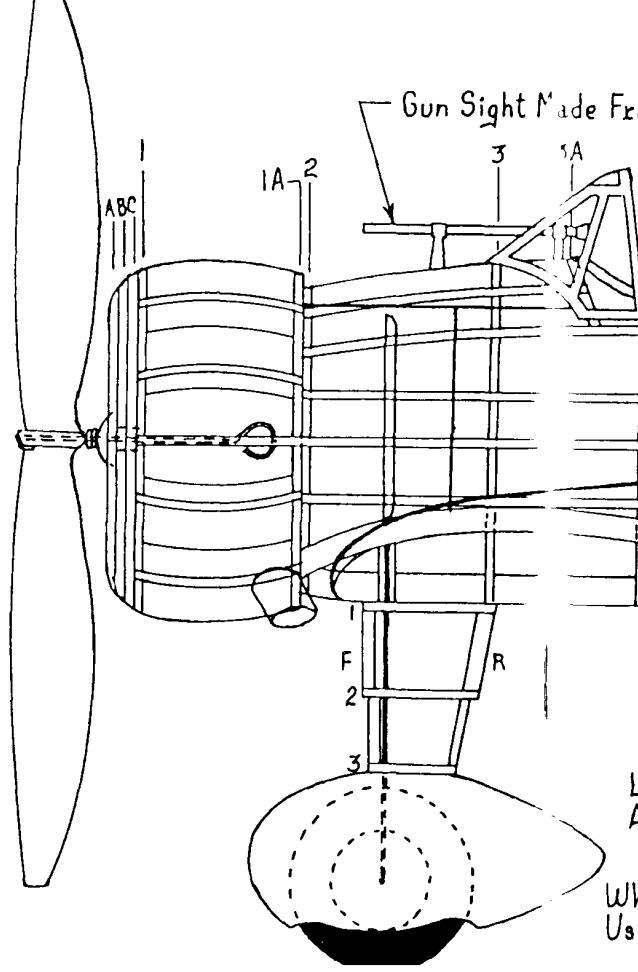
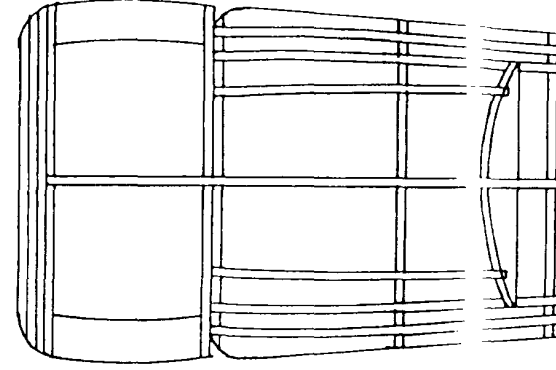
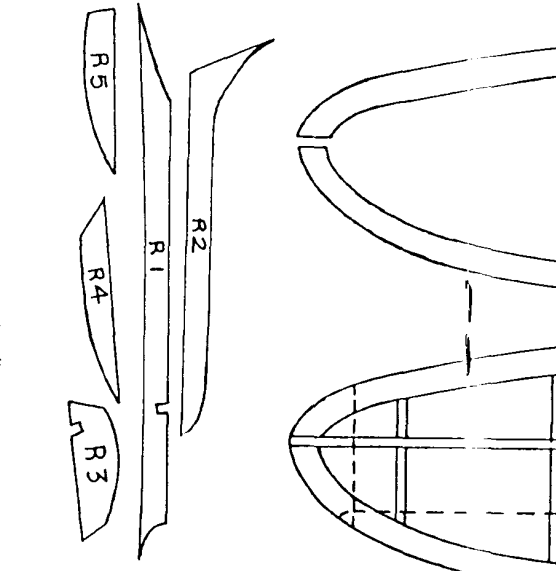
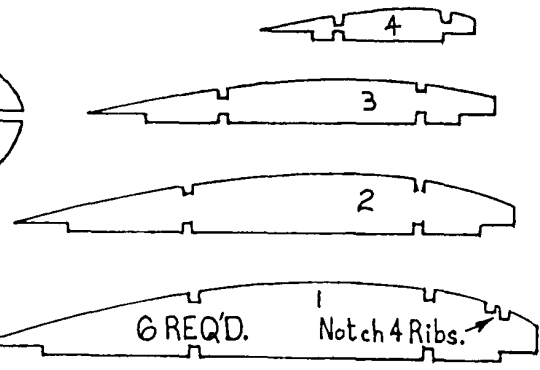
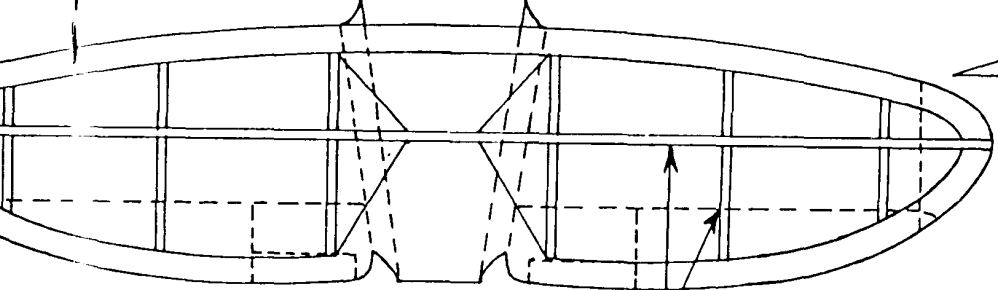
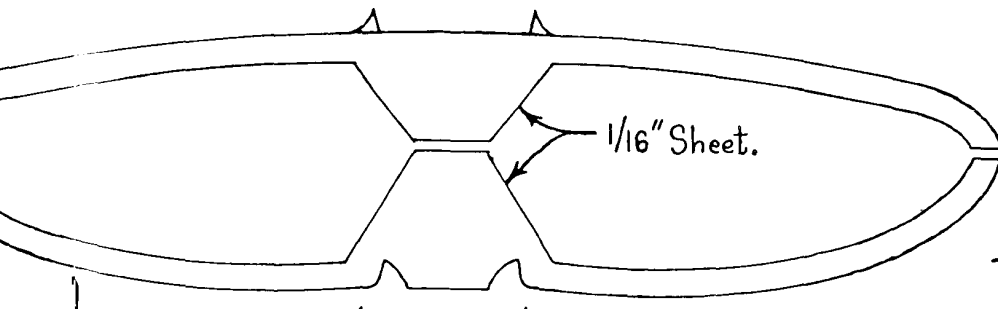
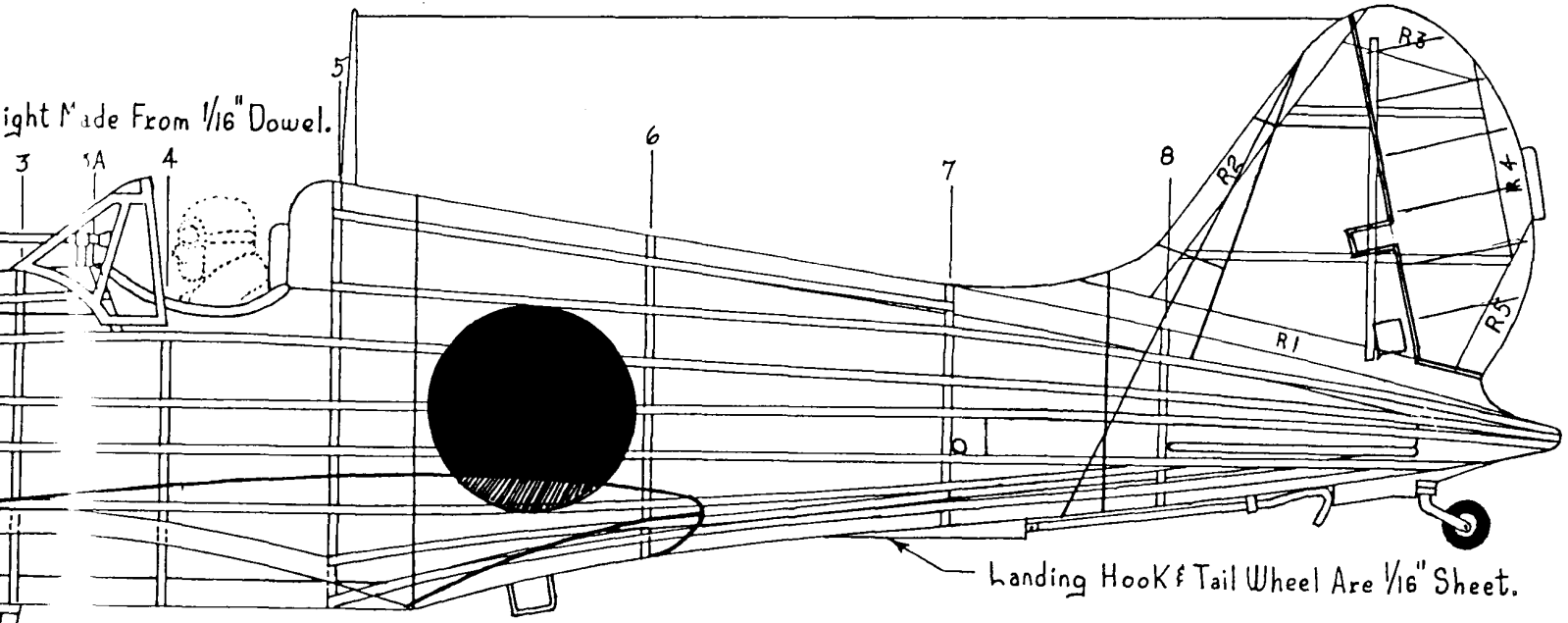
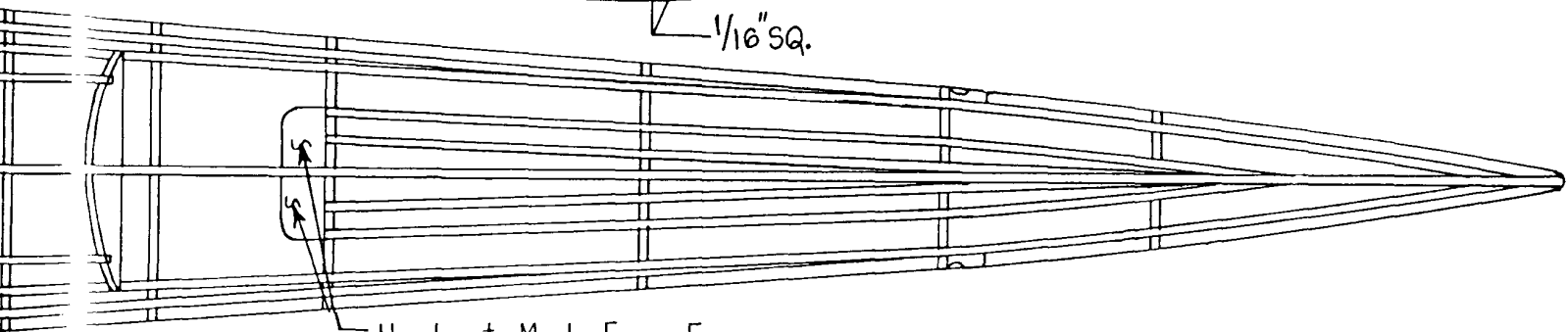


Rudder Formers 1/16" Sheet.

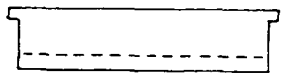




Wing Ribs.



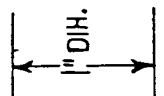
INKED BY ROBERT GREER



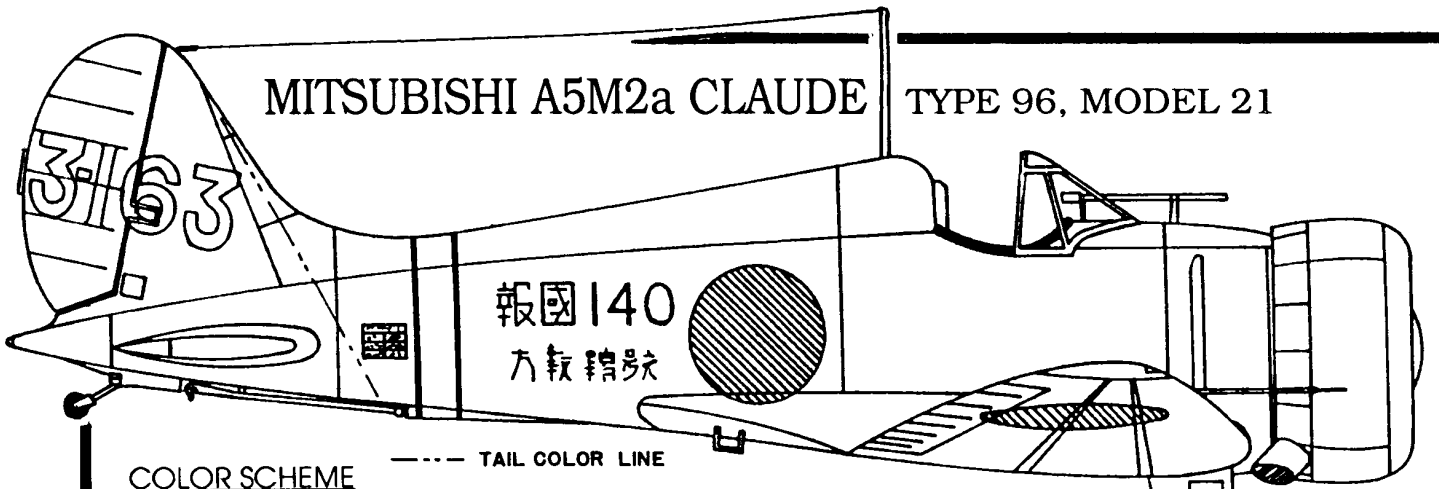
Landing Gear Brace. Make 1R. & 1L.  
Also Make 1R. & 1L. At Dash Lines.

Wheels Are Made From 1/16" Sheet Or  
Use Plastic Wheels.

**MITSUBISHI A5M2a CLAUDE**  
**TYPE 96, MODEL 21**  
 MITSUBISHI HEAVY INDUSTRIES, LTD.  
 NAGOYA, JAPAN 1937



MITSUBISHI A5M2a CLAUDE TYPE 96, MODEL 21



COLOR SCHEME

NATURAL ALUMINUM - Wings, Fuselage, Gear, Front of Prop Blades, Crankcase.  
 RED - Hor. & Vert. Tail, Combat Stripe Edges, Insigna, Prop Stripes.

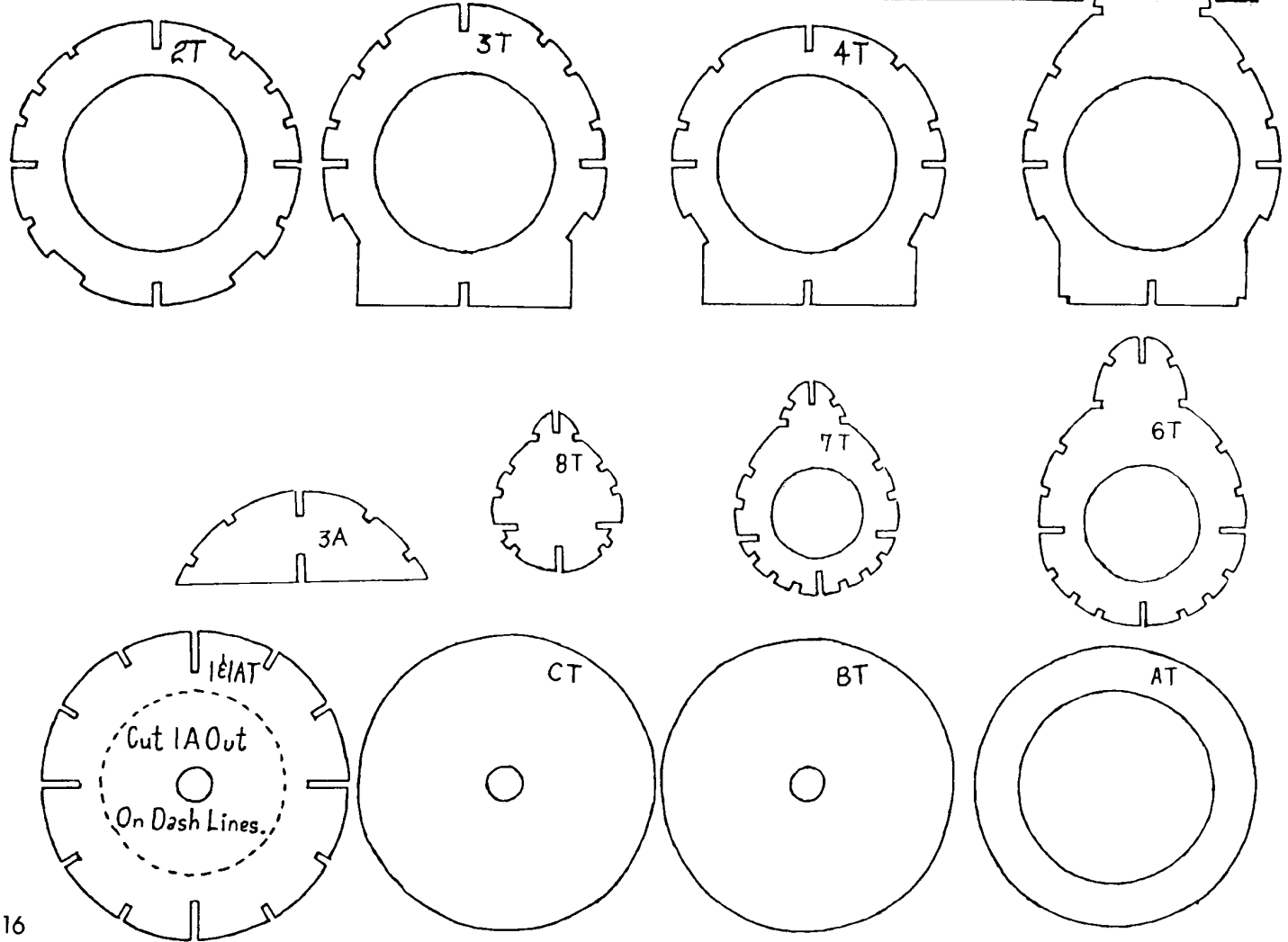
WHITE - Tail Lettering, Combat Stripe, GLOSSY BLACK - Cowl, Strut Numbers & Data Plates, Cylinders, Fuselage Letters.  
 FLAT BLACK - Tires, Back of Prop Blades, Tail Hook.  
 LIGHT BLUE - Cockpit Interior

SPECIFICATIONS

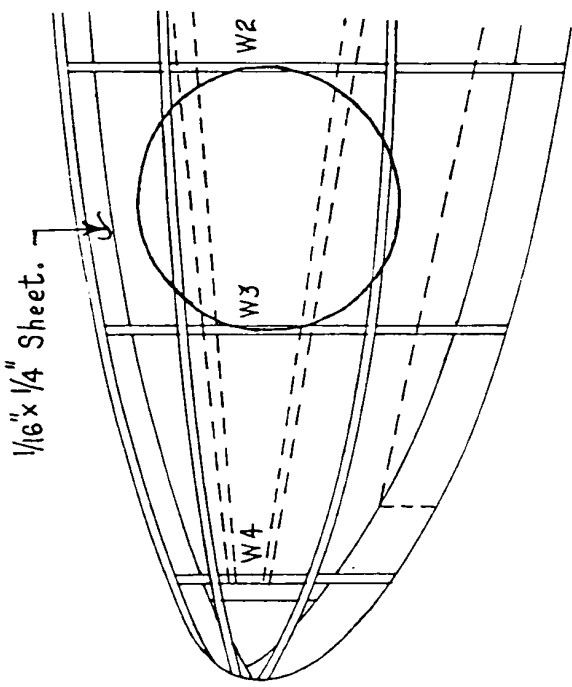
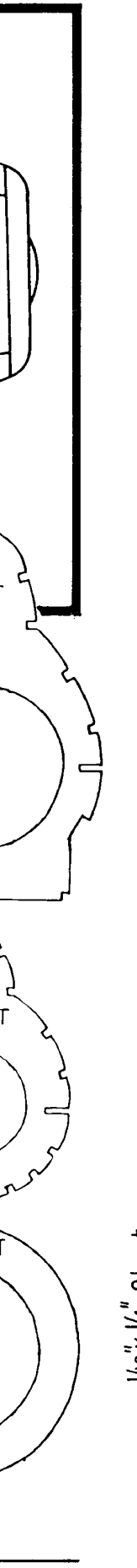
ENGINE - Nakajima Kitobuki 3, 9 Cylinder, Air Cooled, 610 HP.  
 ARMAMENT - Two 7.7 MM Type 89 Machine Guns  
 SPAN - 36' 1"  
 LENGTH - 24' 9 3/4"  
 HEIGHT - 10' 6"

THIS DRAWING COURTESY OF HISTORICAL AIRCRAFT PLANS SERVICE (SEE REVIEW ON PAGE 4 Editor.)

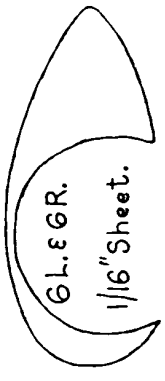
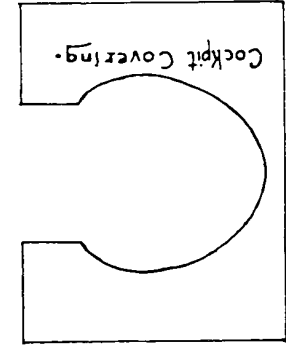
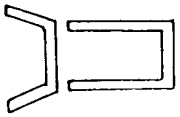
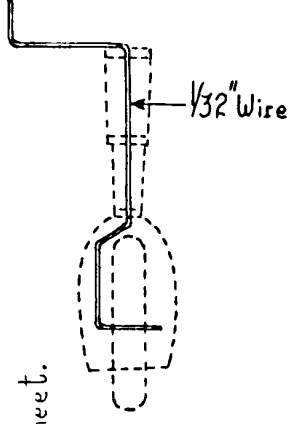
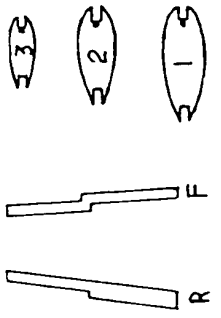
----- TAIL COLOR LINE



Wheels Are Made From 1/16" Sheet Or Use Plastic Wheels.



Landing Gear Pieces Are 1/16" Sheet. Canopy 1/16" Sheet.



1/16" x 3/16" Leading Edge.

