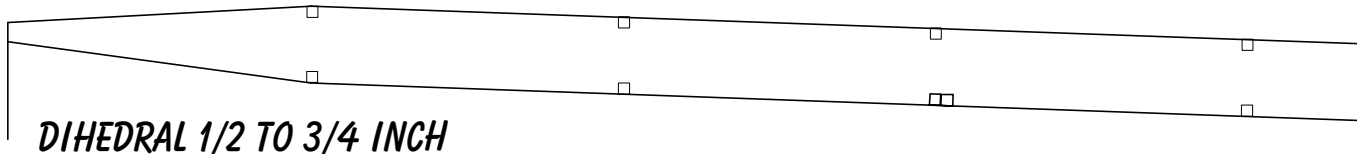
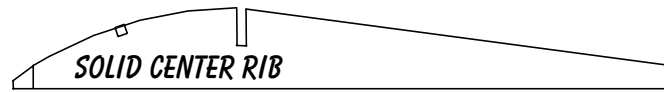


*EXTRA LOWER PIECE FOR STRUT ATTACH*



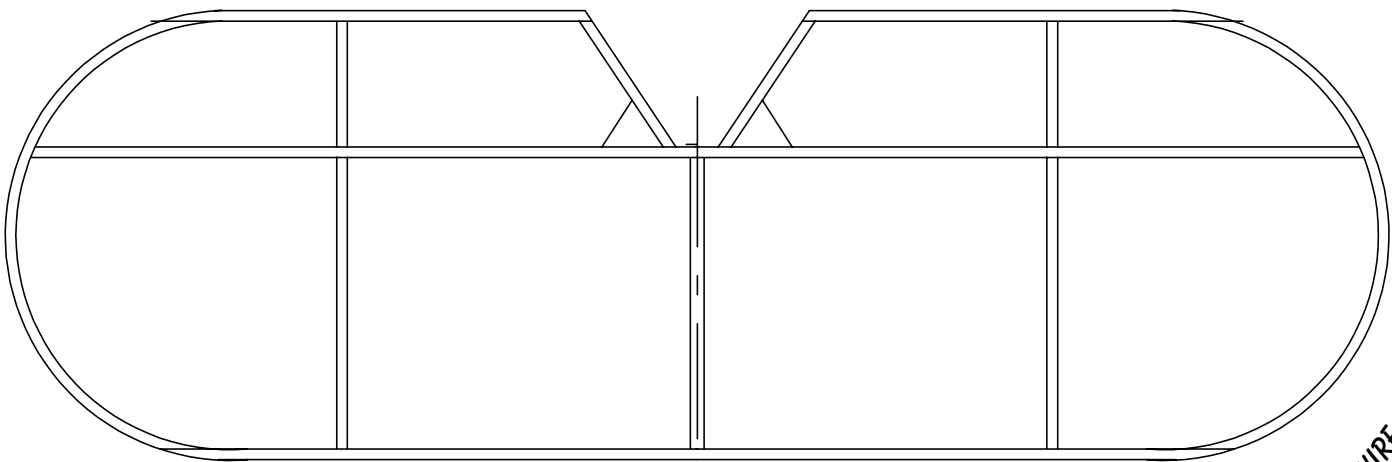
*DIHEDRAL 1/2 TO 3/4 INCH*



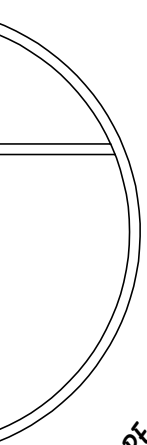
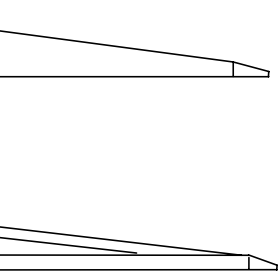
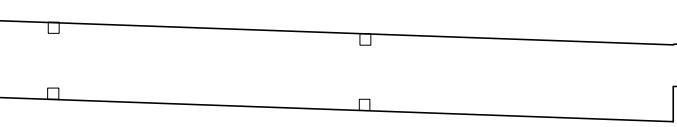
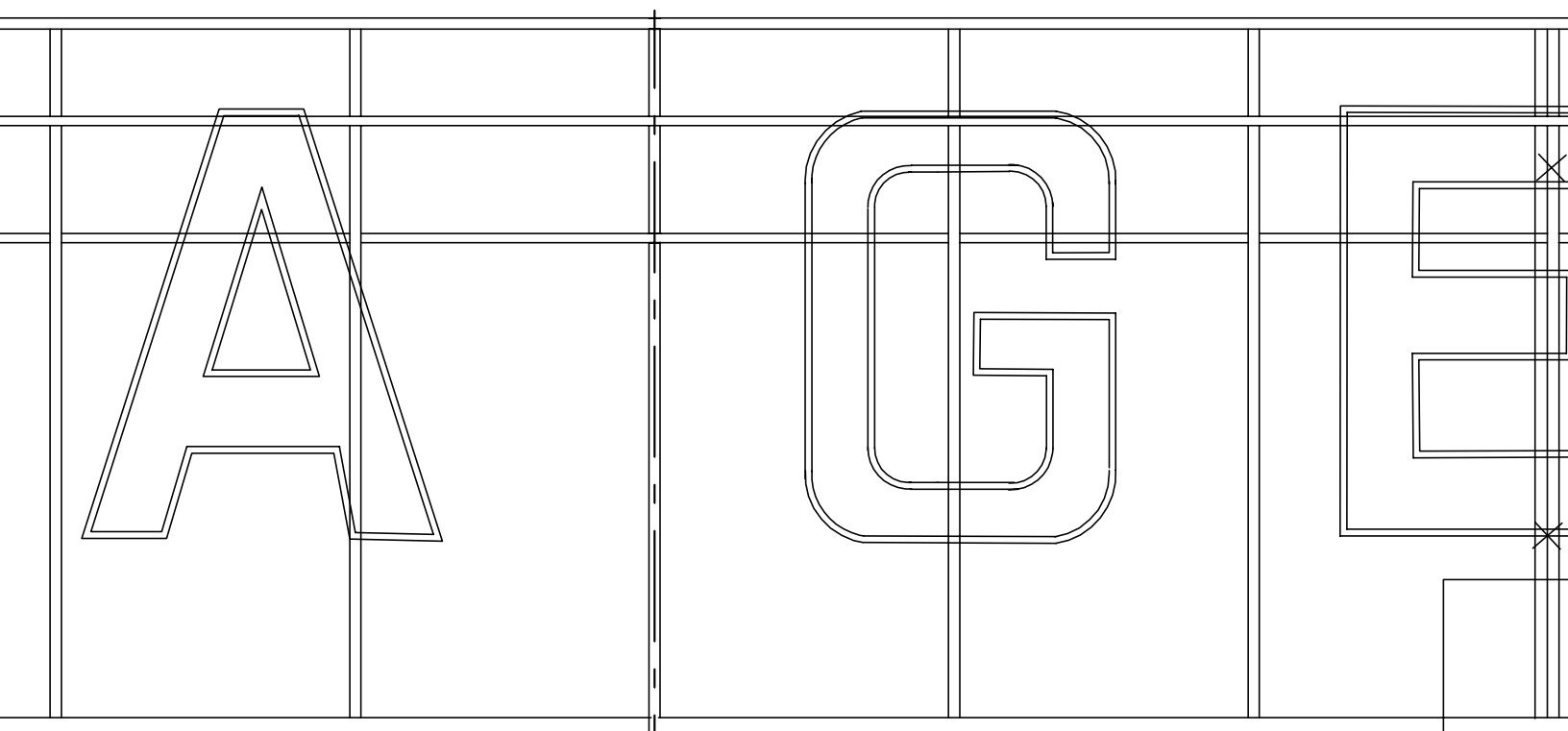
*SOLID CENTER RIB*

*ALL OTHERS CRACKED RIB CONSTRUCTION*

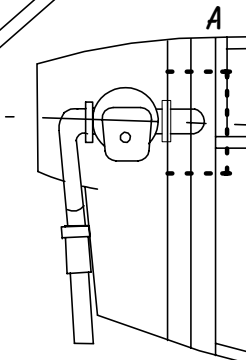
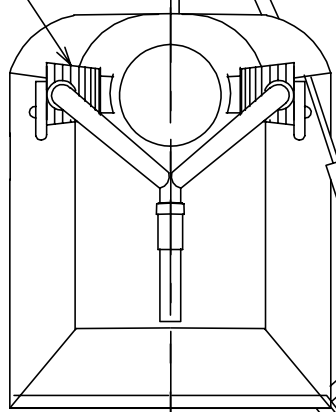
*AS BELOW*



*.020 WIRE*

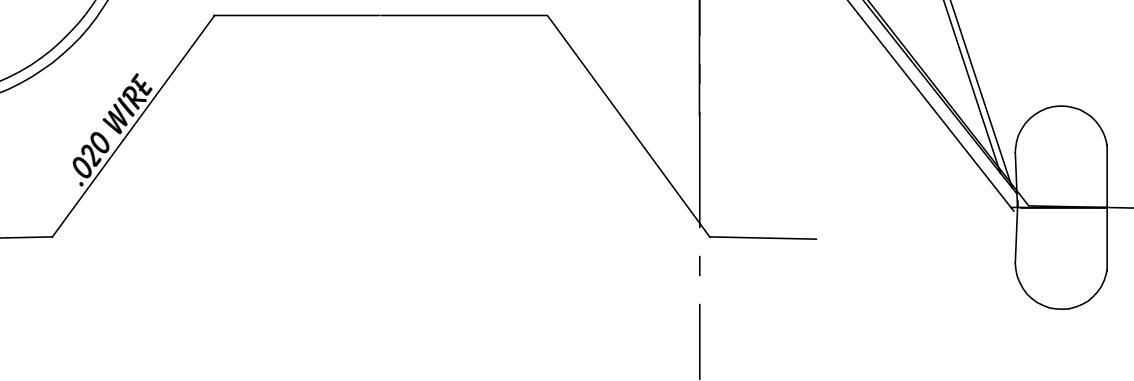


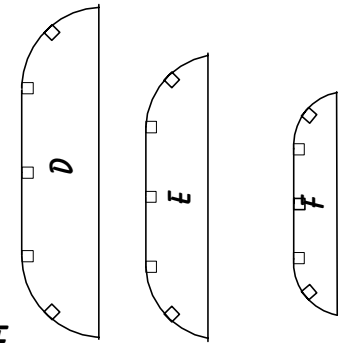
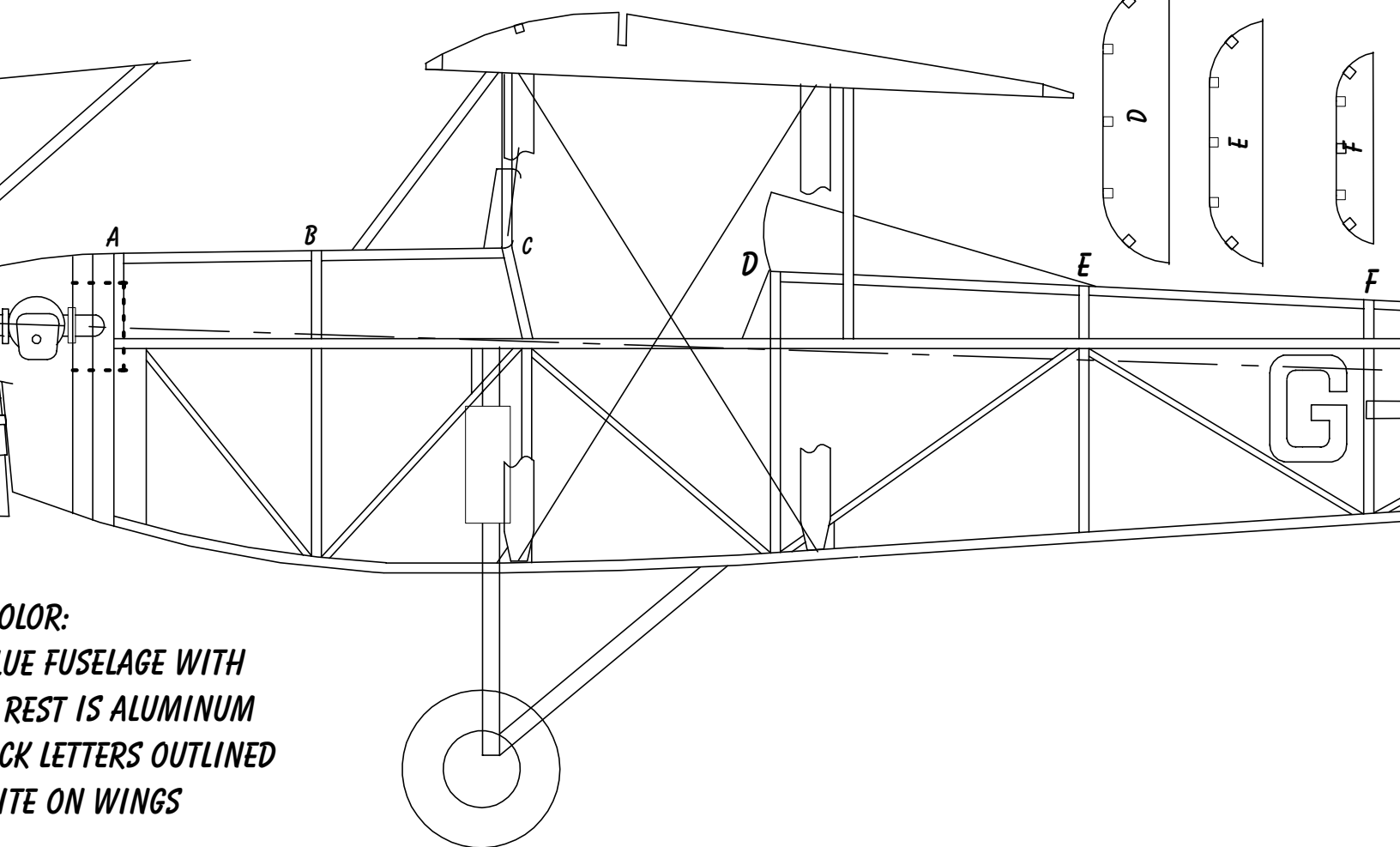
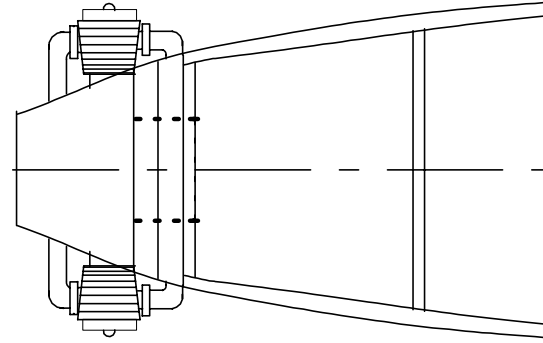
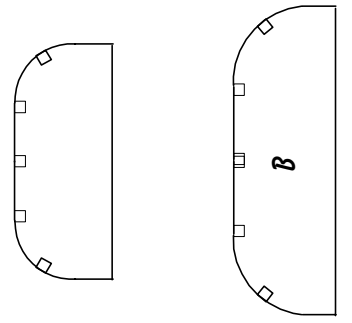
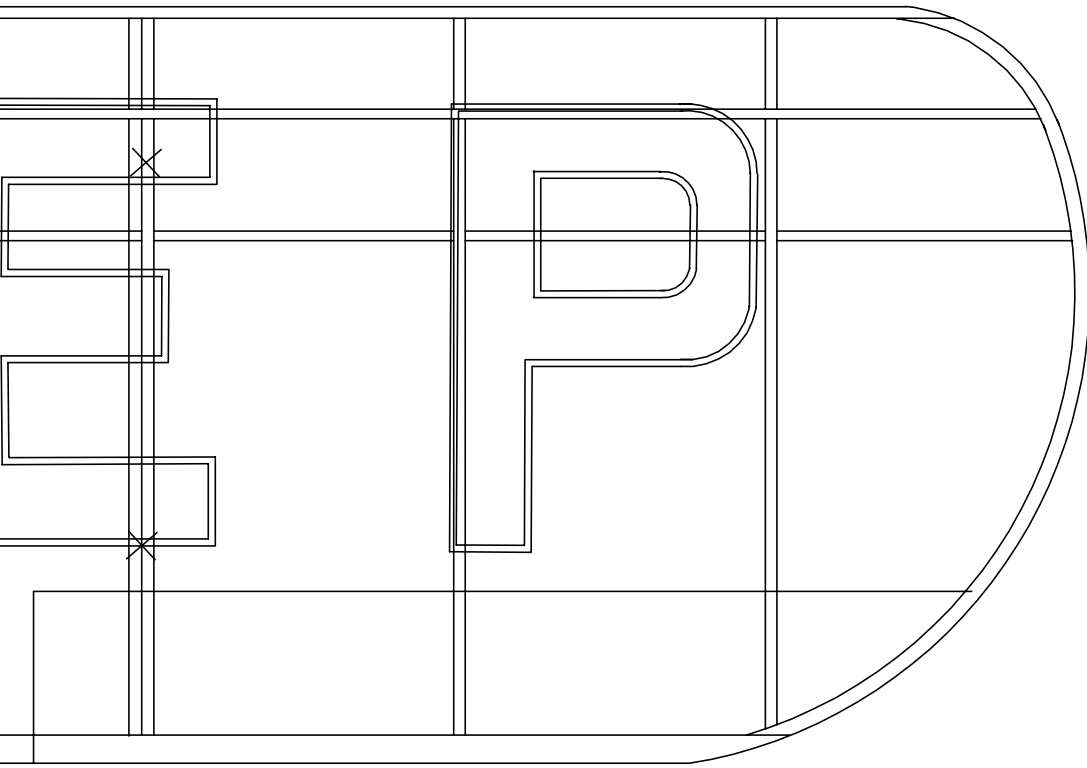
*CUT DOWN  
WILLIAMS BROS. CYL.*



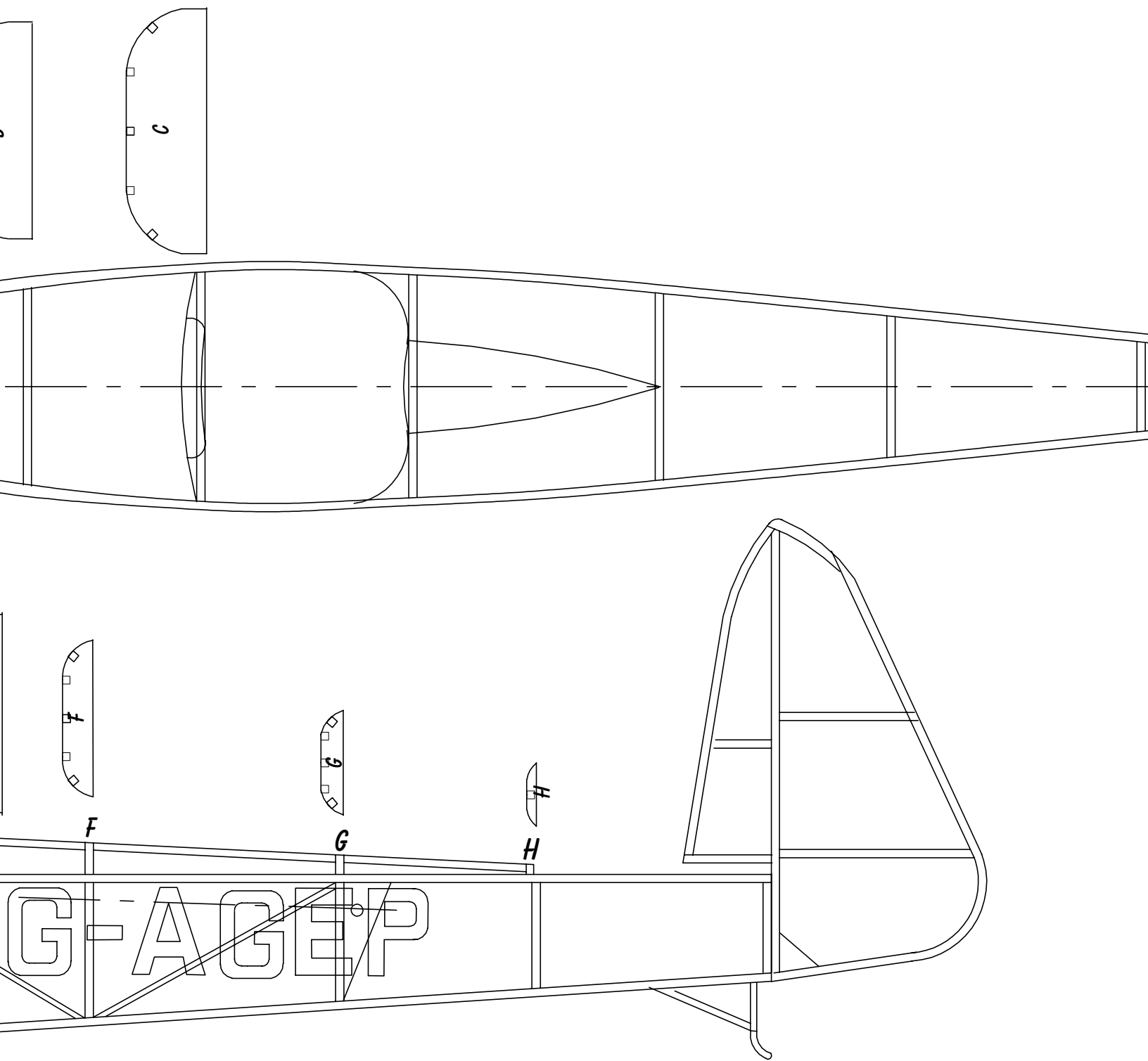
**COLOR:**  
*G-AGEP HAS BLUE FUSELAGE  
WHITE LETTERS, REST IS ALL  
DOPED WITH BLACK LETTERS  
WITH WHITE ON WINGS*

*.020 WIRE*





**COLOR:**  
**BLUE FUSELAGE WITH**  
**REST IS ALUMINUM**  
**BLACK LETTERS OUTLINED**  
**WHITE ON WINGS**



# **LUTON MINOR**

**1936 BRITISH LIGHTPLANE**

**SCALE REFERENCES**

**AERO MODELLER - MAY, 1953**

**BRITISH CIVIL AIRCRAFT SINCE 1919**

**DRAWN BY: DAVID LIVESAY (JULY, 1992)**

