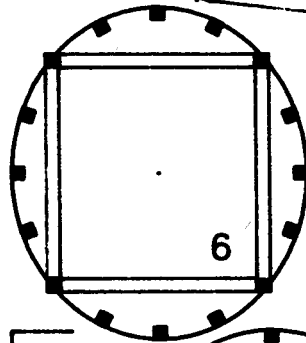
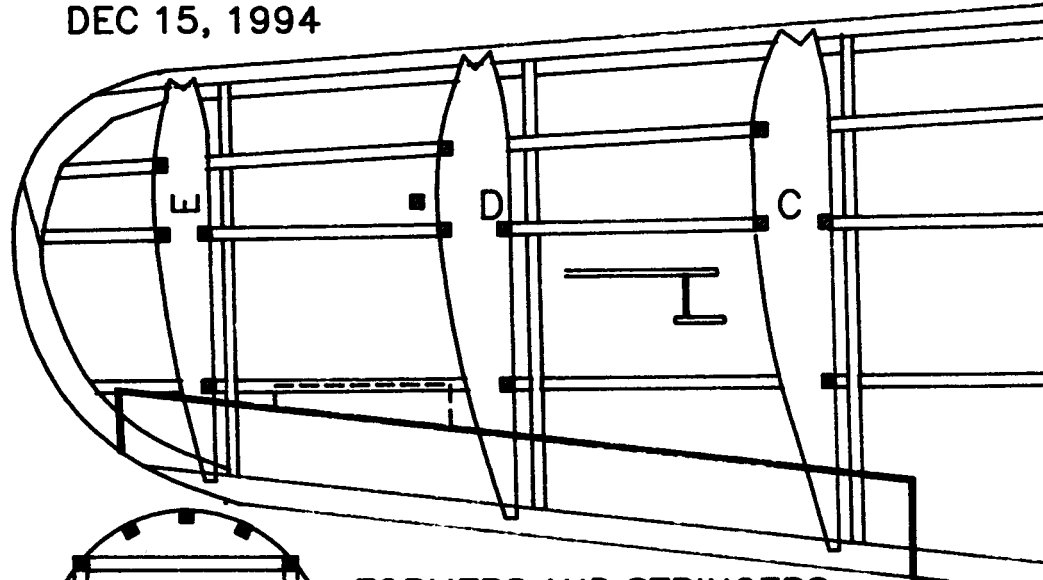
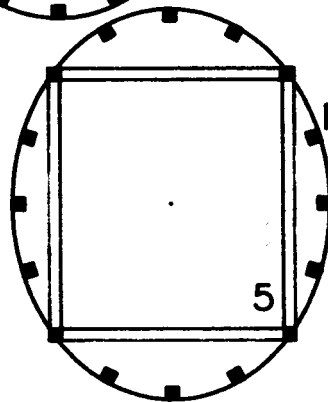


Designed and drawn by Doug and Sandy Wilkey  
DEC 15, 1994

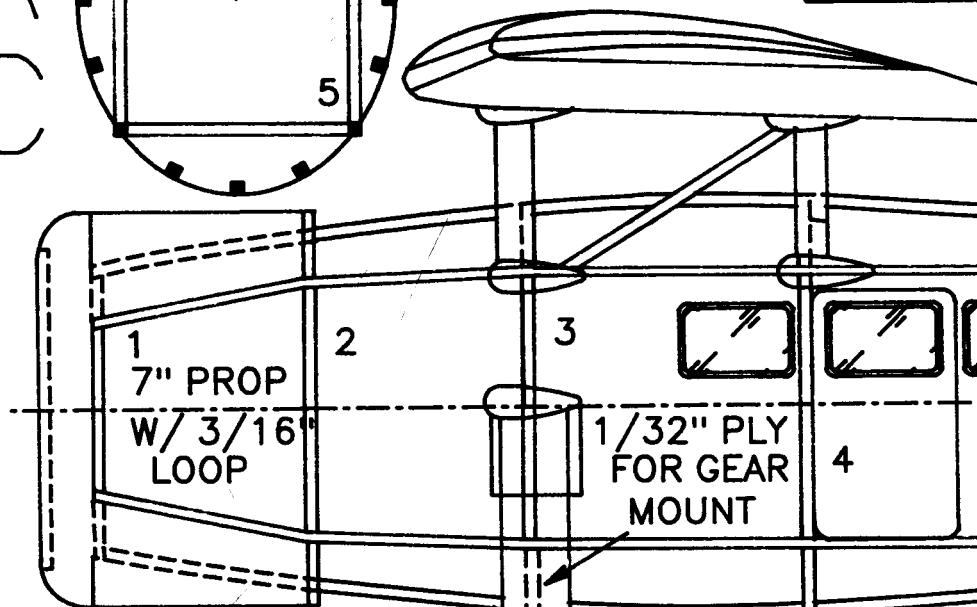
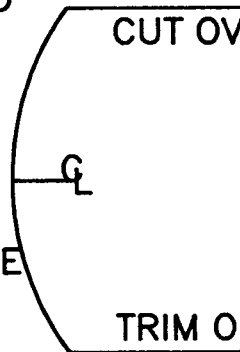


FORMERS AND STRINGERS  
ARE 1/16" BOX FRAME  
LONGERONS ARE SANDED  
TO FORM STRINGERS  
AFTER FORMERS ARE  
ADDED TO BASIC FRAME

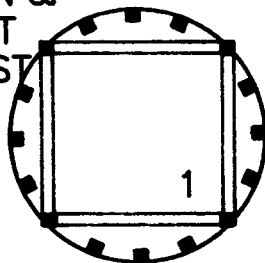
F  
A  
C



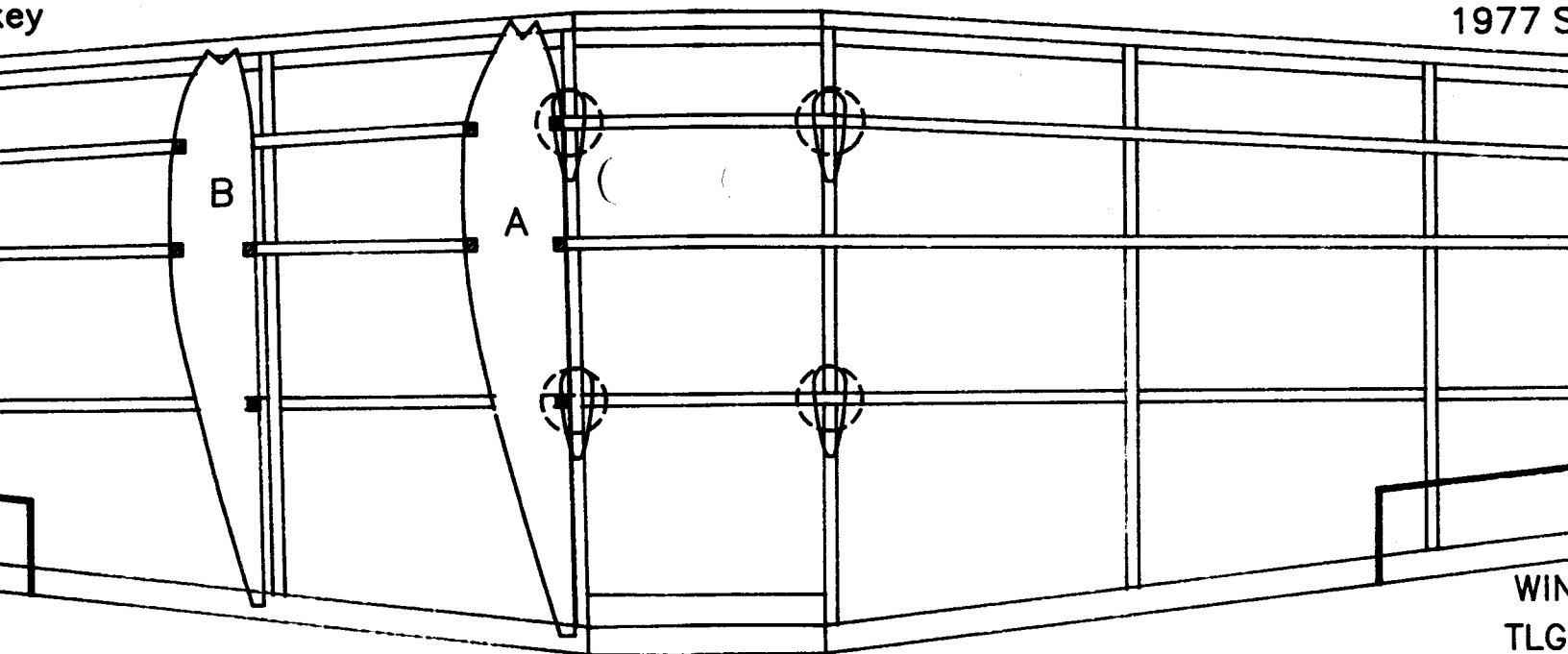
SEE REFERENCE  
FOR COLOR SCHEME



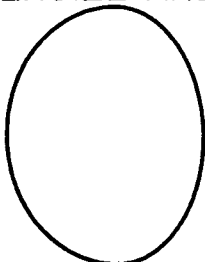
DOWN &  
RIGHT  
THRUST



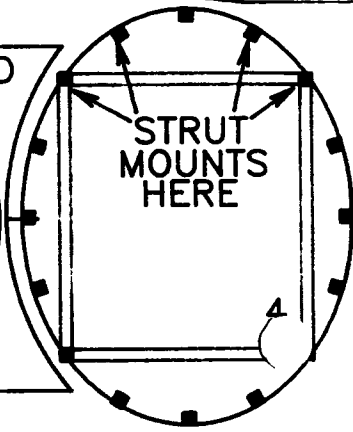
L  
A  
C



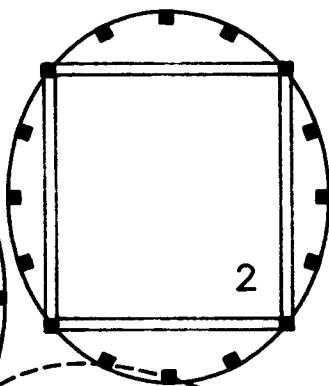
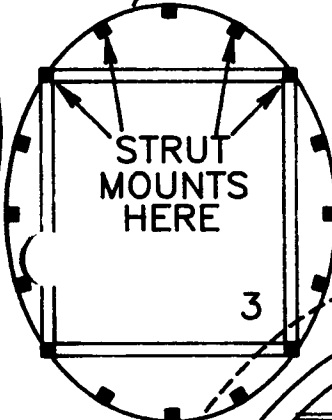
CUT OVERSIZE AND



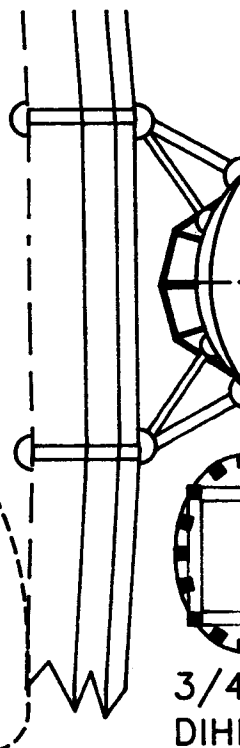
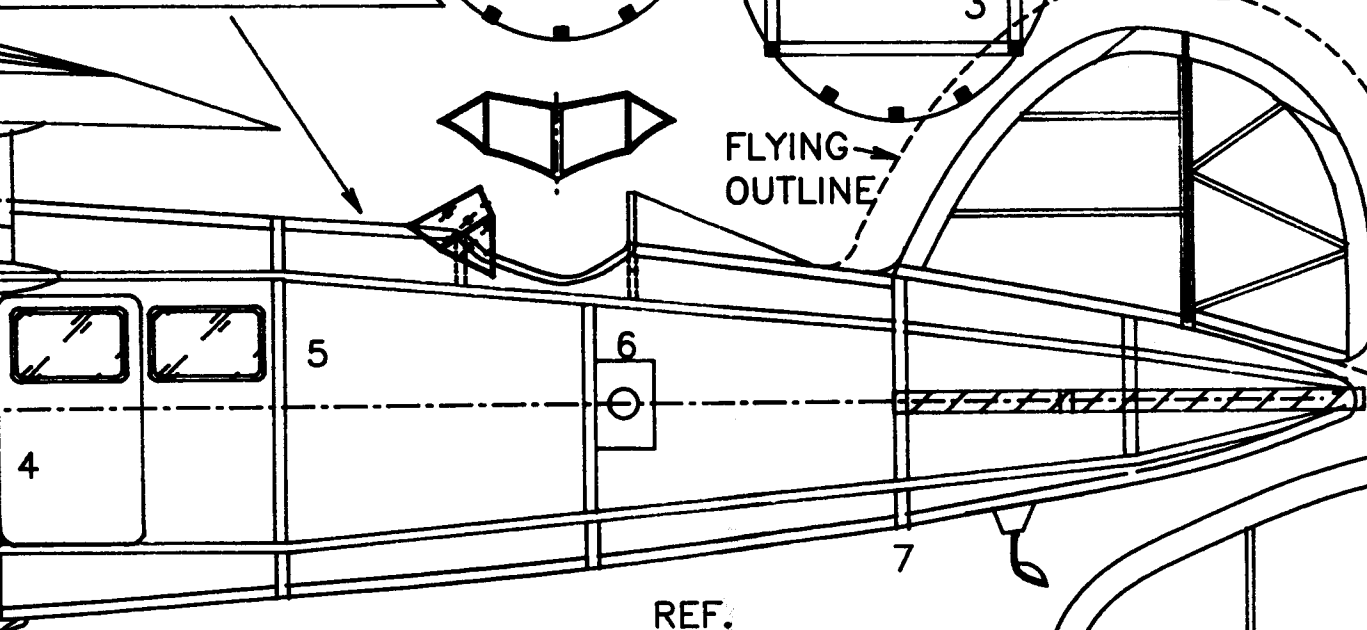
TRIM ON MODEL



SPARS 1/16" SQ.  
RIBS 1/16" SHT.



FLYING  
OUTLINE



Lockheed  
Air Express  
DESIGN BASED ON  
RAY CHEVEDDEN'S  
COMET KIT OF A VEGA  
DEC. 15. 1934

REF.  
Revolution In The Sky  
by Allen  
Wen Wilson  
Air Express Dwg.  
M.A.N.  
Air Age Publishing

