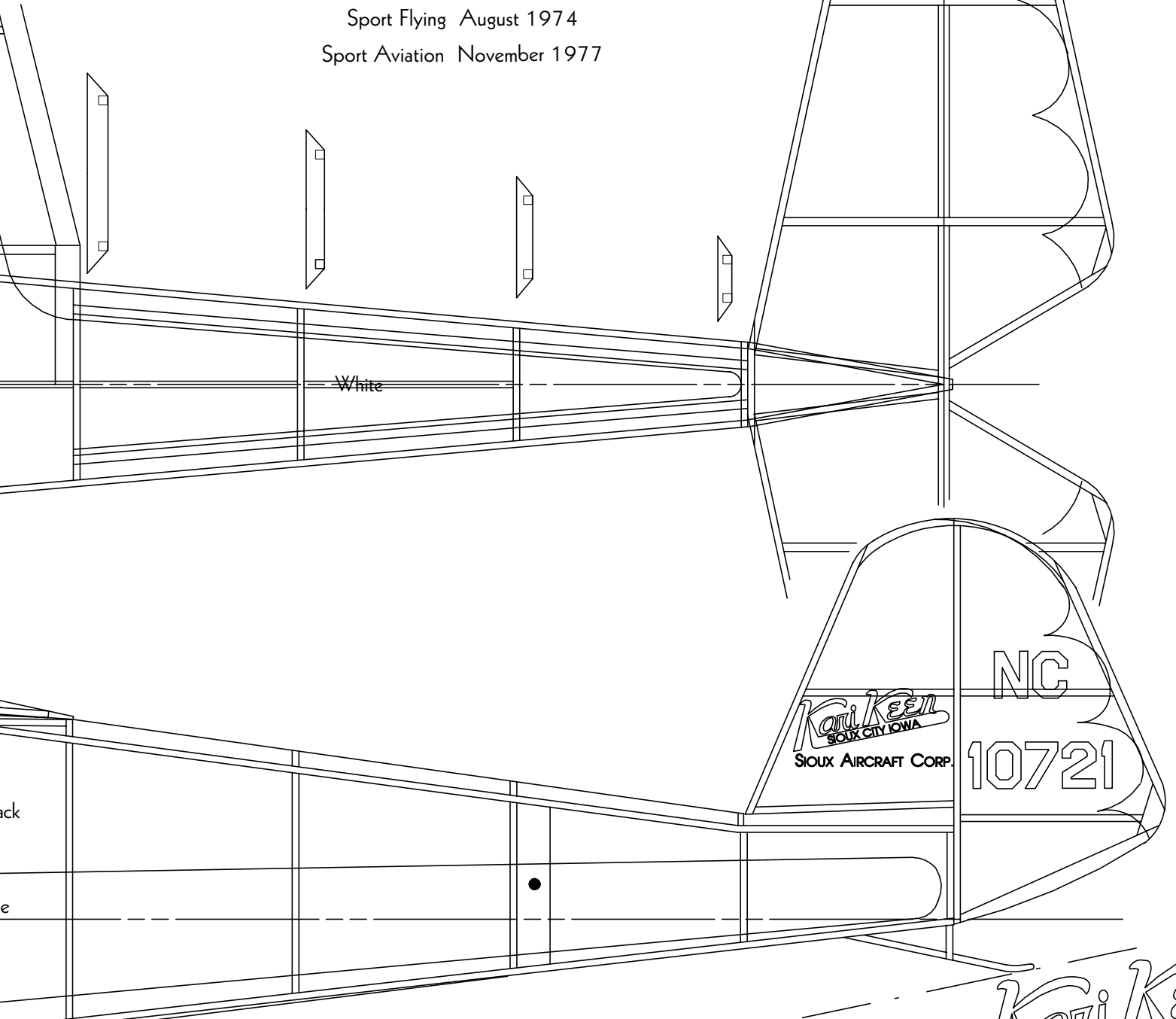


Scale Sources

Sport Flying August 1974
Sport Aviation November 1977



White

ack

e

Center Stringer to Rubber Peg Location

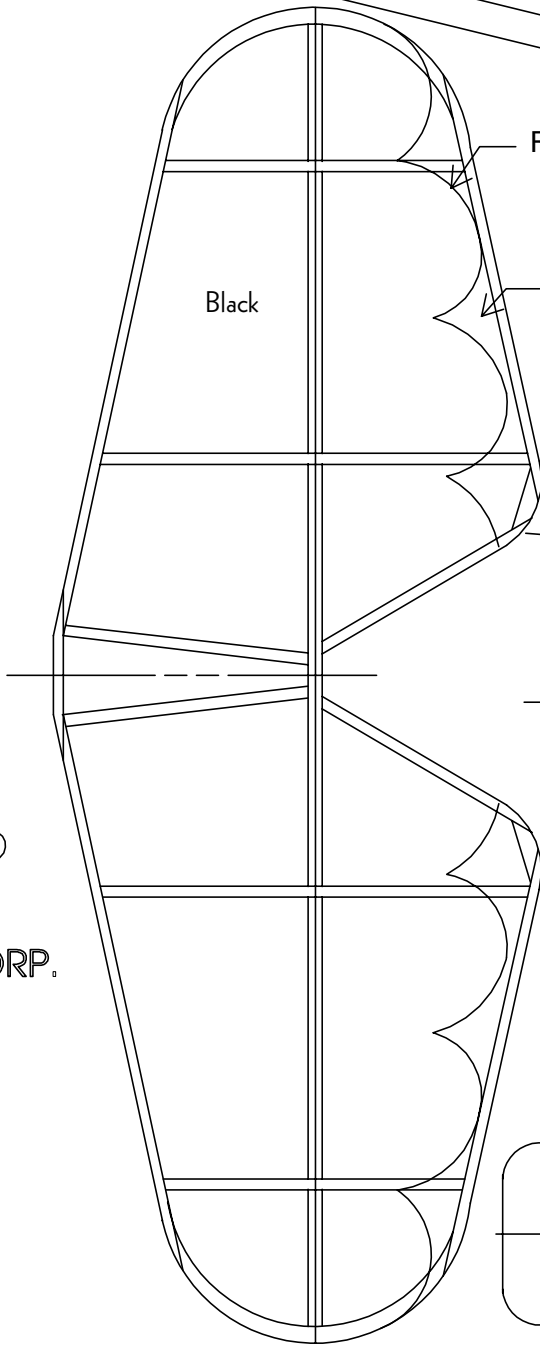
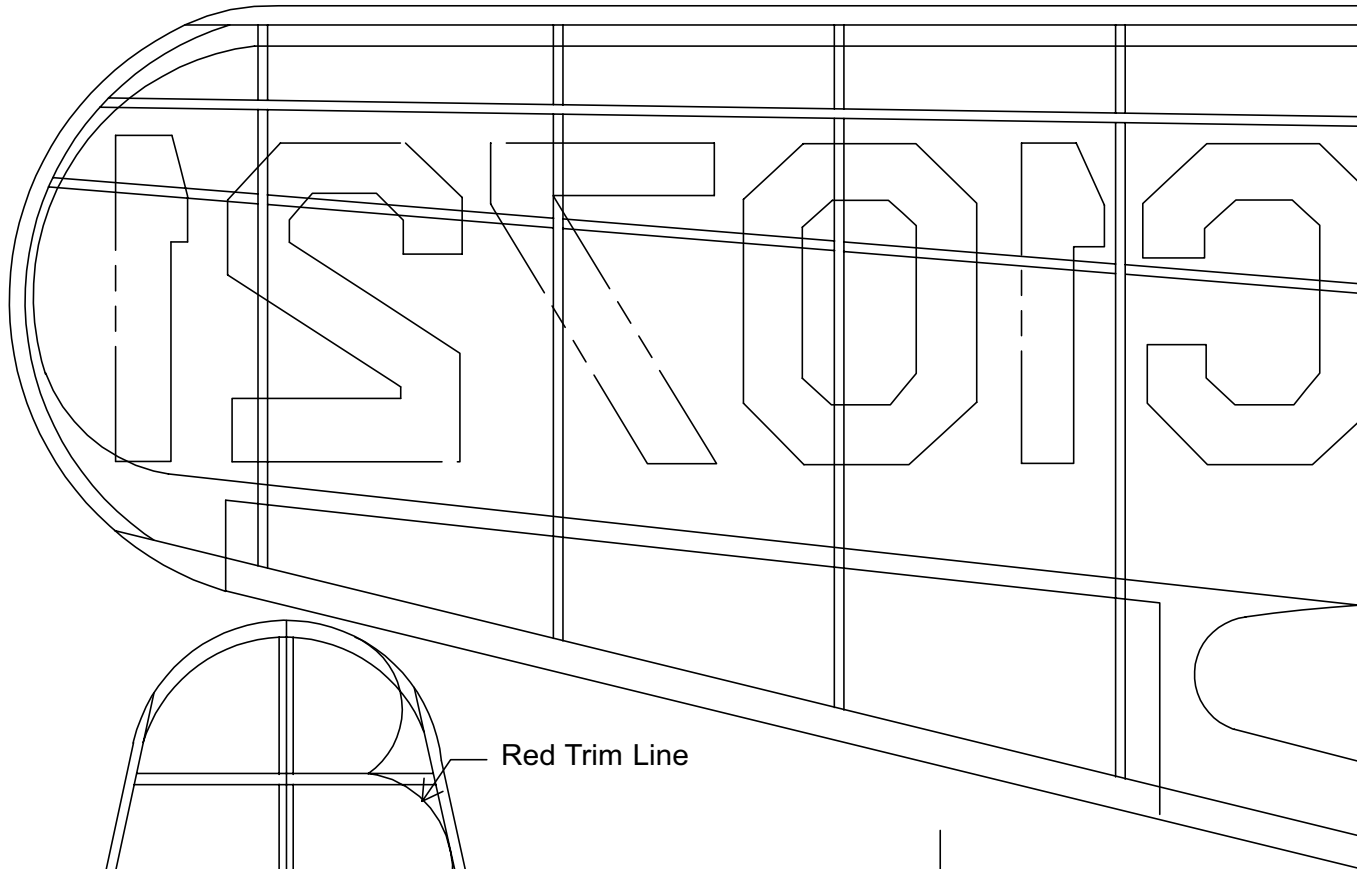
.020 Wire
Color:

Colors are Black and White
with a Red Trim Line
between two colors.
Rudder all markings are Gold.
Numbers on wing are
Black with Red outline.

Kari Keen
SIOUX AIRCRAFT

KARI KEEN
SIOUX COUPE 90-B

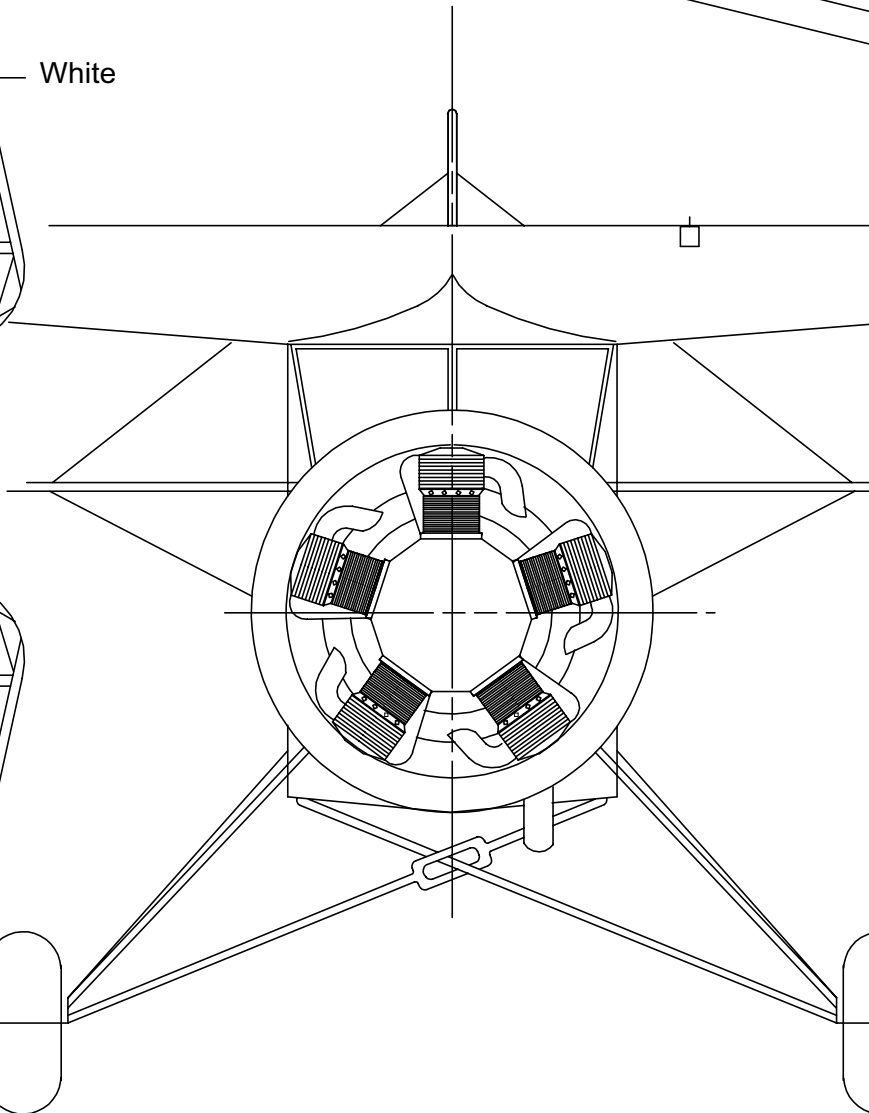
DRAWN BY:
David Livesay (7-20-19)



Red Trim Line

Black

White

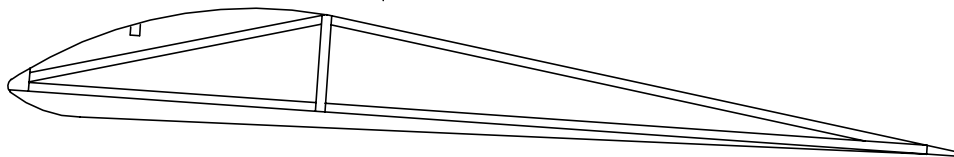
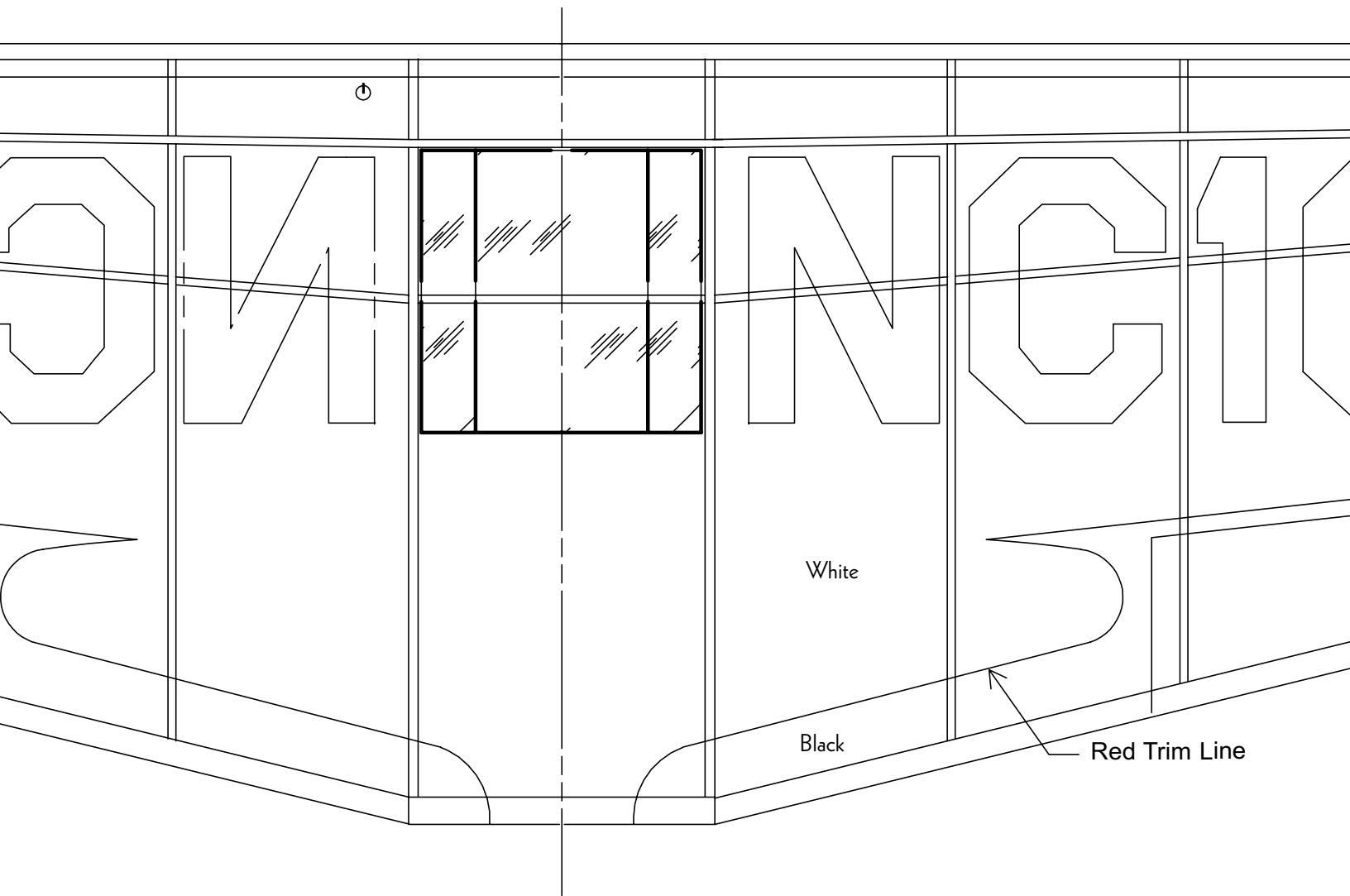


KEEN

AIRCRAFT CORP.

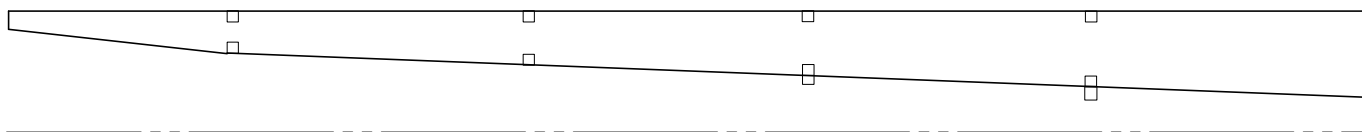
KEEN
DUPE 90-B

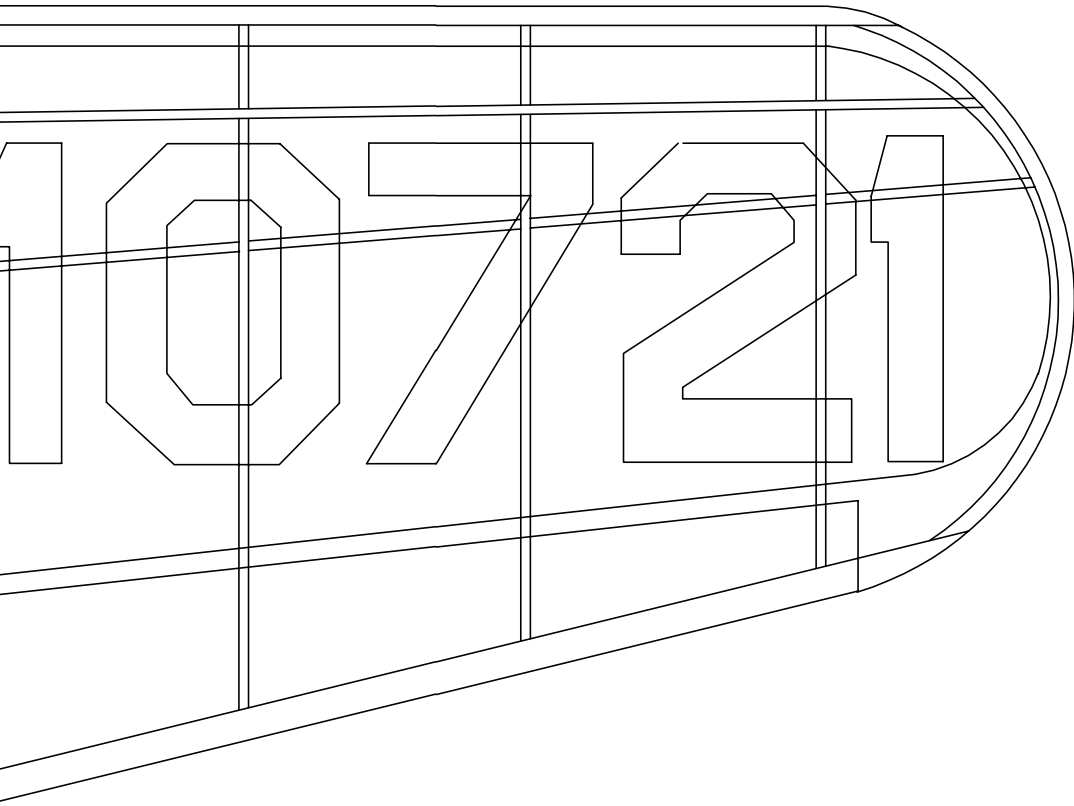
BY:
(7-20-1993)



Wing is built with cracked ribs.
 After wing is built a piece is
 added to the bottom of the first
 four ribs. This is then sanded
 to shape.

Top of wing is flat





ine

