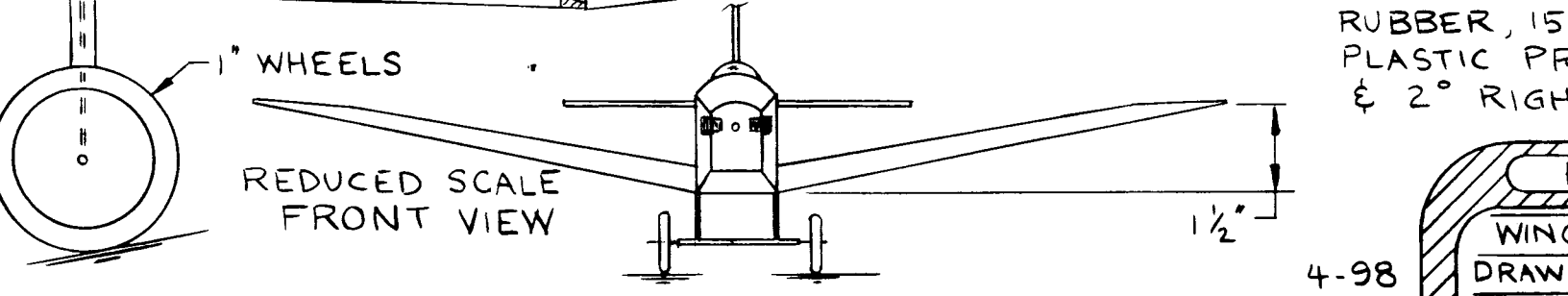
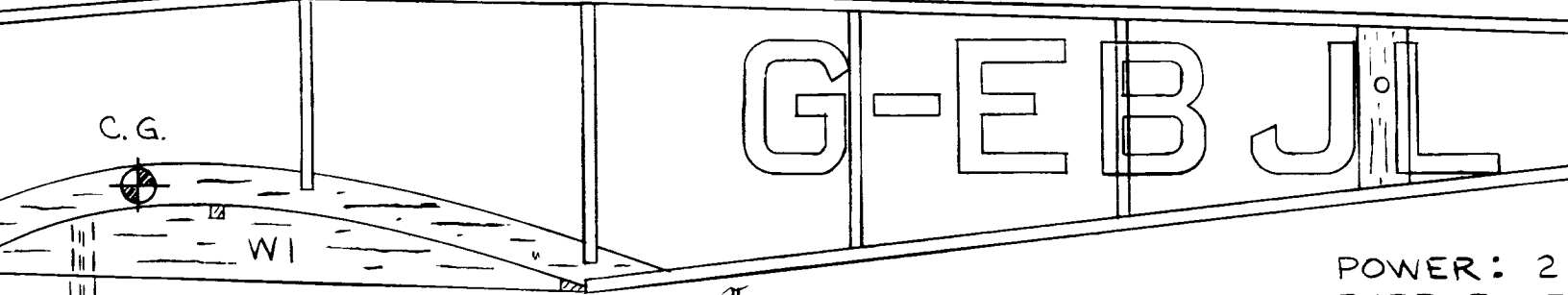
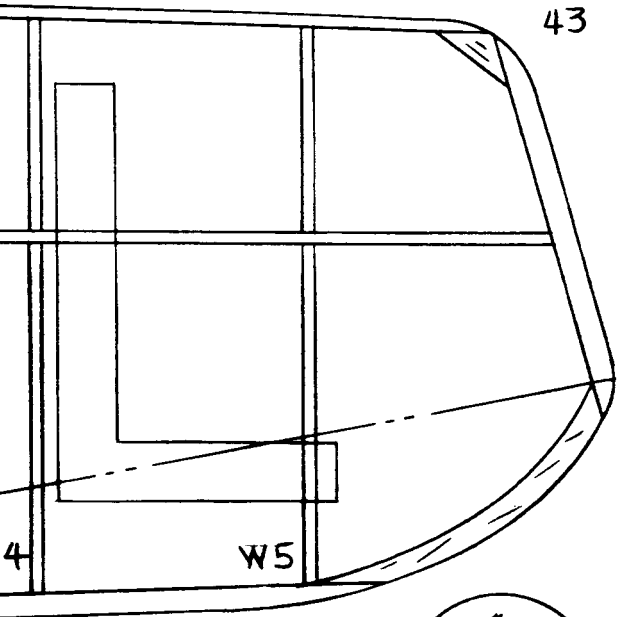


COLOR SCHEME: SILVER WITH BLACK NOSE, COCKPIT COMBING & REGISTRATION



POWER: 2 RUBBER, 15 PLASTIC PR & 2° RIGH

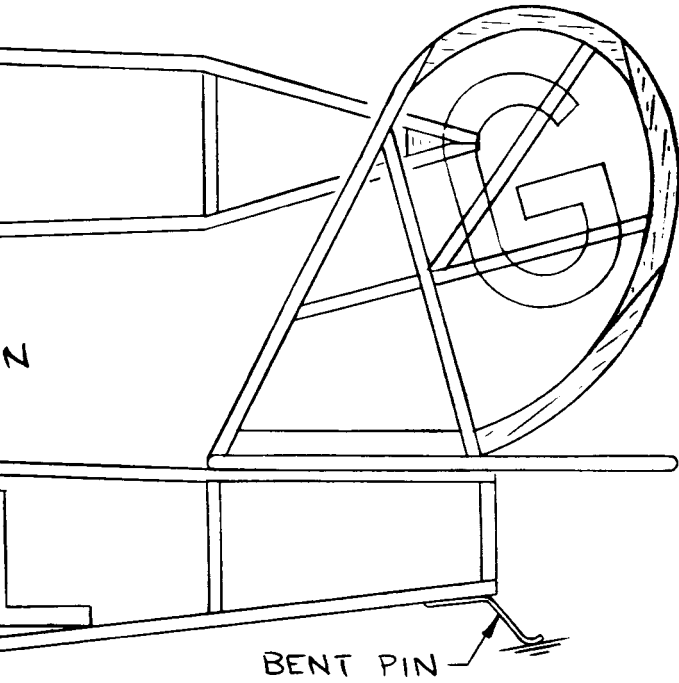




WIND SHIELD
PATTERN

COCKPIT
PATTERN

MATERIAL $\frac{1}{16}$ SQ & SHEET
UNLESS OTHERWISE NOTED



BENT PIN

COVER: 2 STRANDS $\frac{1}{8}$ TAN
COTTON YARN, 15" LONG. USE 6"
PLASTIC PROP WITH 3° DOWN
2° RIGHT THRUST.

BRISTOL BROWNIE	
WINGSPAN 16"	LENGTH 14"
DRAWN BY <i>T. Bucher</i>	DIME SERIES